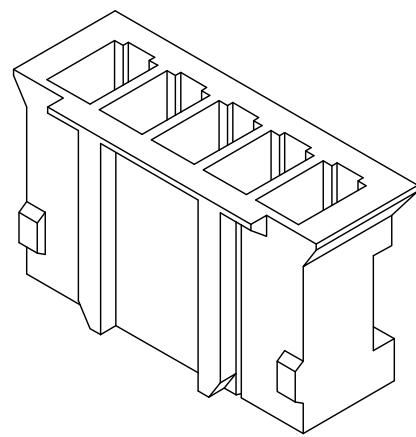
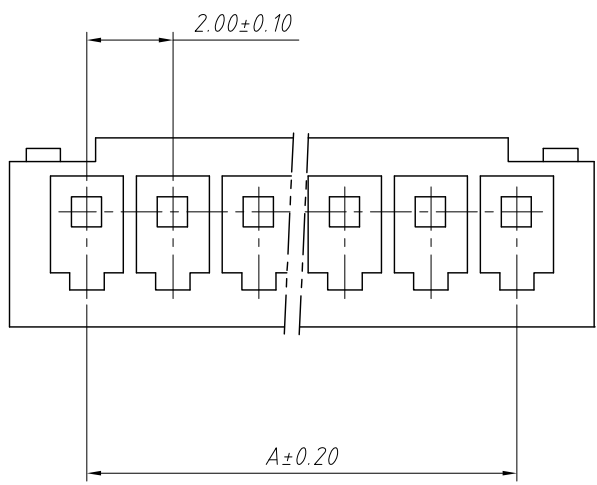
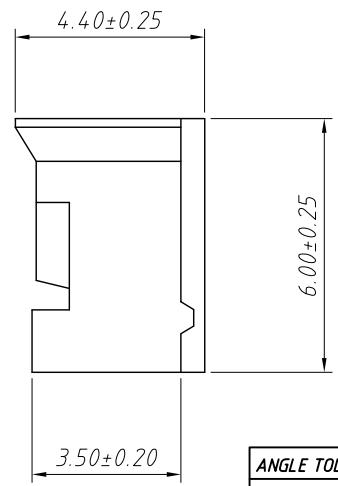
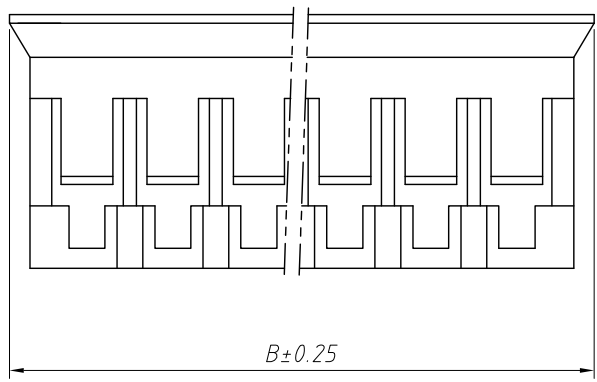


1  
RoHS Compliance



Pin	Dimensions(mm)	
	A	B
02	2.00	5.60
03	4.00	7.60
04	6.00	9.60
05	8.00	11.60
06	10.00	13.60
07	12.00	15.60
08	14.00	17.60
09	16.00	19.60
10	18.00	21.60
11	20.00	23.60
12	22.00	25.60
13	24.00	27.60
14	26.00	29.60
15	28.00	31.60



**Material:**  
Housing:PA66,UL 94 V-0

**Electrical Characteristics:**  
Rated Current:2.0AMP  
Voltage rating:250V AC,DC  
Withstanding Voltage:800V AC/minute  
Insulator Resistance:1000MΩ Min  
Temperature range:-25°C ~ + 85°C  
Contact Resistance:30mΩ Max

**Order Information:**  
L-KLS1-XL9-2.00-XX-H

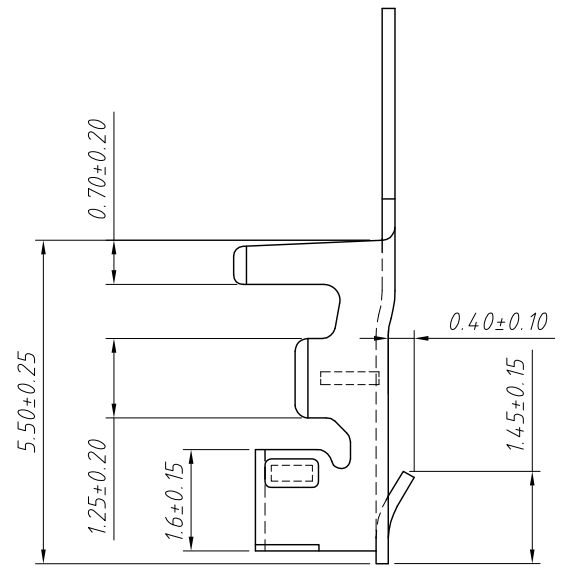
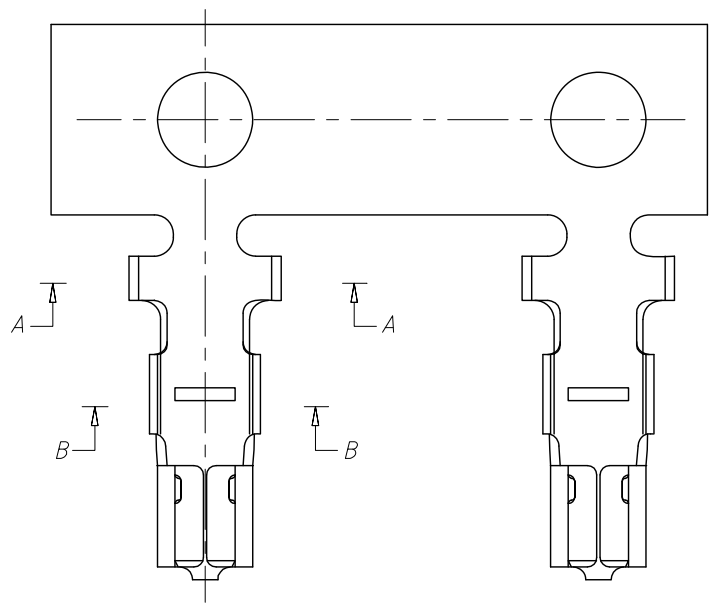
L: RoHS  
Pitch:2.00mm  
XX-No. of 02 ~ 15 pins

Type: T-Terminal H-Hosing  
S-Straight male pin  
R-Right angle male pin

ANGLE TOLERANCE		PROJECTION		Description:	
±3°				2.00mm Pitch IL-S Wire to Board Connector	
GENERAL TOLERANCE		UNITS	mm	KLS P/N:	
x.x	±0.30	SHEET SIZE	A4	L-KLS1-XL9-2.00-XX-H	
x.xx	±0.20	Draw:	Daniel	2021-01-11	
x.xxx	±0.10	Check:	Daniel	2021-01-11	

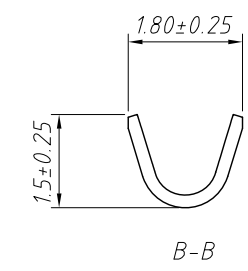
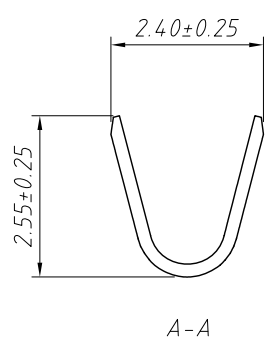
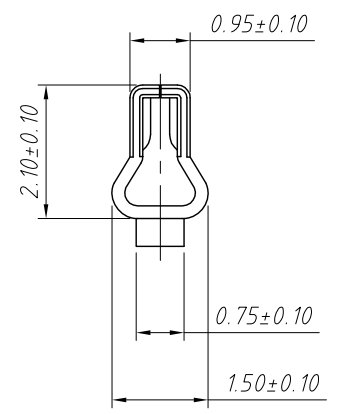
NingBo KLS ELECTRONIC CO.,L TD.

1  
RoHS Compliance



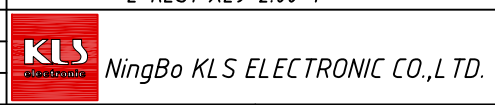
**Material:**  
 Terminal: Phosphor Bronze  
 Plating: Tin plated  
 Applicable wires: AWG #24 ~ # 28  
 Insulation O.D: 1.5mm Max  
 Thickness: 0.2mm  
 Qty/reel: 10000 pcs

**Electrical Characteristics:**  
 Rated Current: 2.0AMP  
 Voltage rating: 250V AC, DC  
 Withstanding Voltage: 800V AC/minute  
 Insulator Resistance: 1000MΩ Min  
 Temperature range: -25°C ~ + 85°C  
 Contact Resistance: 20mΩ Max

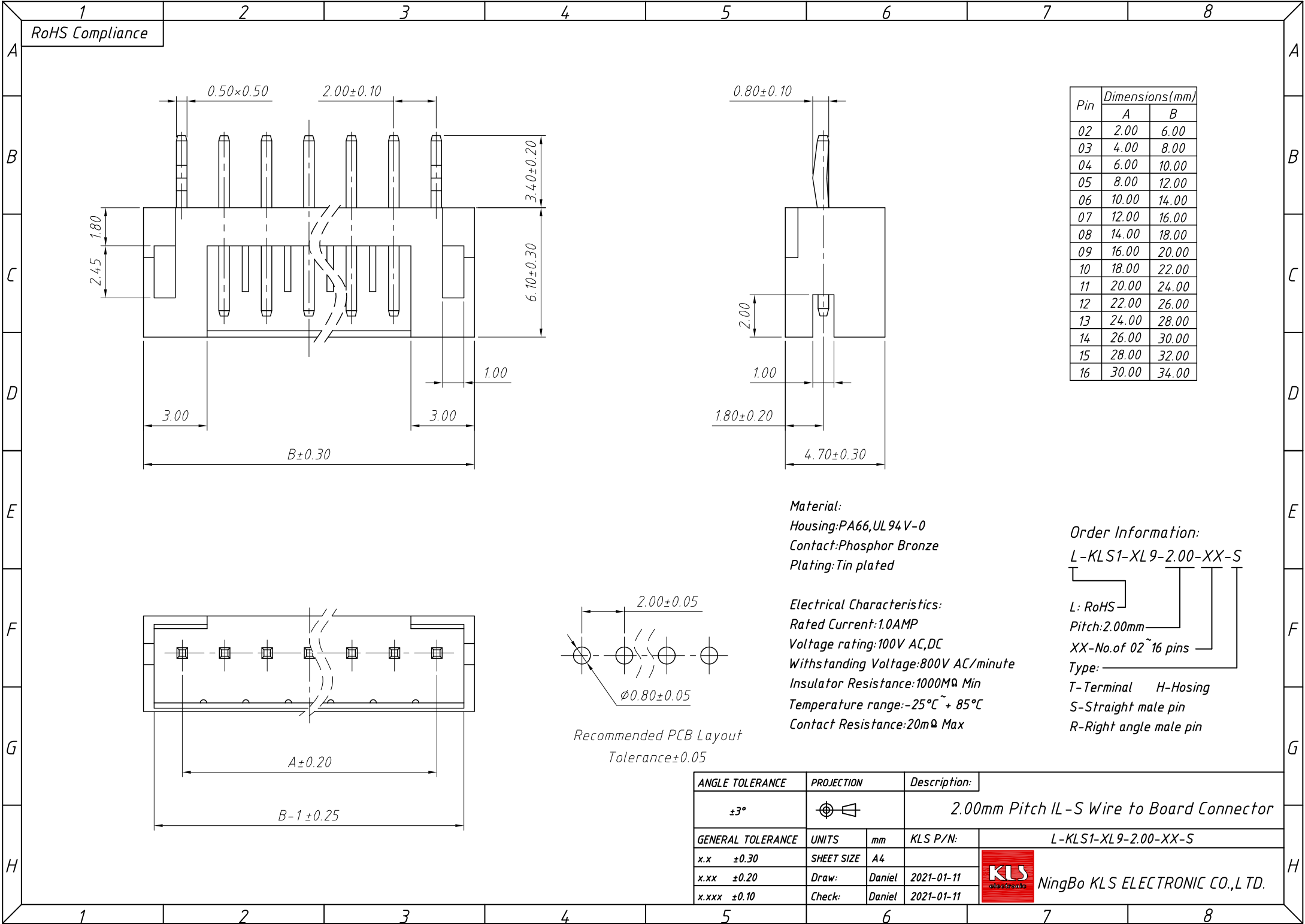


**Order Information:**  
 L-KLS1-XL9-2.00-T  
 L: RoHS  
 Pitch: 2.00mm  
 Type: \_\_\_\_\_  
 T-Terminal H-Hosing  
 S-Straight male pin  
 R-Right angle male pin

ANGLE TOLERANCE	PROJECTION	Description:	
±3°		2.00mm Pitch IL-S Wire to Board Connector	
GENERAL TOLERANCE	UNITS	mm	KLS P/N:
x.x ±0.30	SHEET SIZE	A4	L-KLS1-XL9-2.00-T
x.xx ±0.20	Draw:	Daniel	2021-01-11
x.xxx ±0.10	Check:	Daniel	2021-01-11



1 RoHS Compliance

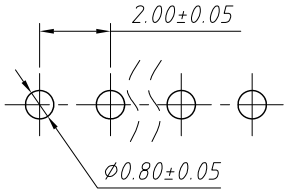


Pin	Dimensions (mm)	
	A	B
02	2.00	6.00
03	4.00	8.00
04	6.00	10.00
05	8.00	12.00
06	10.00	14.00
07	12.00	16.00
08	14.00	18.00
09	16.00	20.00
10	18.00	22.00
11	20.00	24.00
12	22.00	26.00
13	24.00	28.00
14	26.00	30.00
15	28.00	32.00
16	30.00	34.00

**Material:**  
 Housing: PA66, UL 94V-0  
 Contact: Phosphor Bronze  
 Plating: Tin plated

**Electrical Characteristics:**  
 Rated Current: 1.0AMP  
 Voltage rating: 100V AC, DC  
 Withstanding Voltage: 800V AC/minute  
 Insulator Resistance: 1000MΩ Min  
 Temperature range: -25°C ~ + 85°C  
 Contact Resistance: 20mΩ Max

**Order Information:**  
 L-KLS1-XL9-2.00-XX-S  
 L: RoHS  
 Pitch: 2.00mm  
 XX-No. of 02~16 pins  
 Type:  
 T-Terminal H-Housing  
 S-Straight male pin  
 R-Right angle male pin

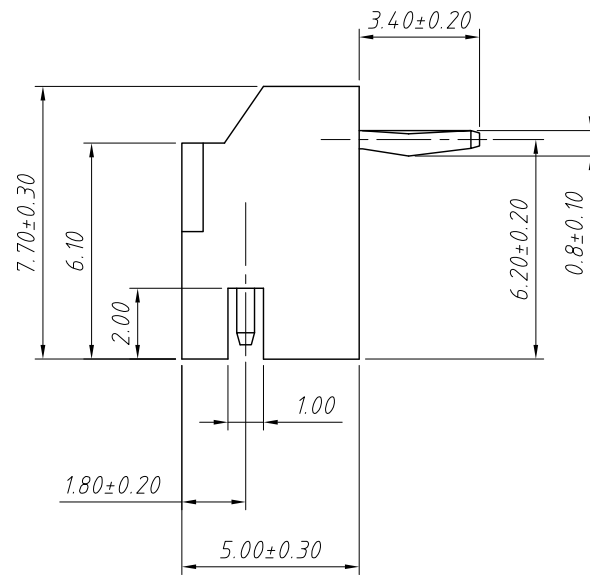
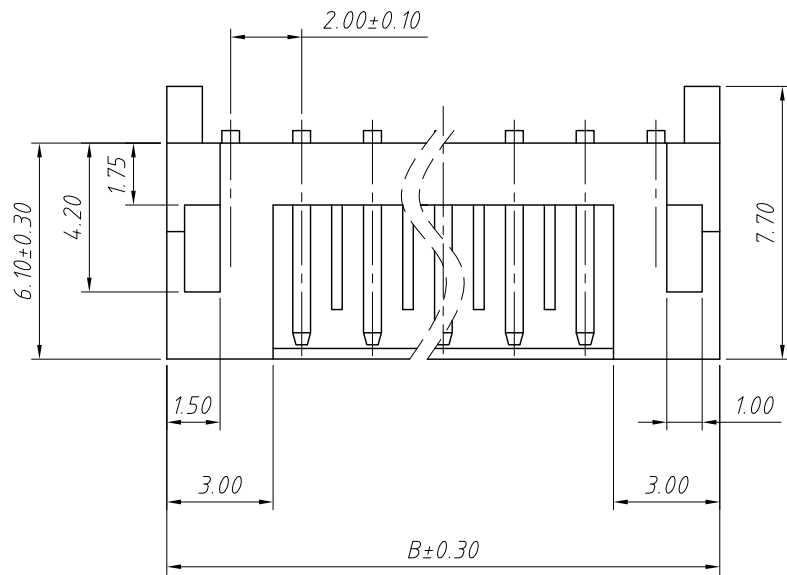


Recommended PCB Layout  
 Tolerance ±0.05

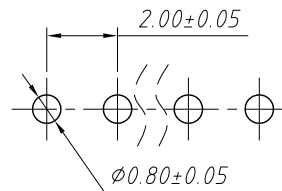
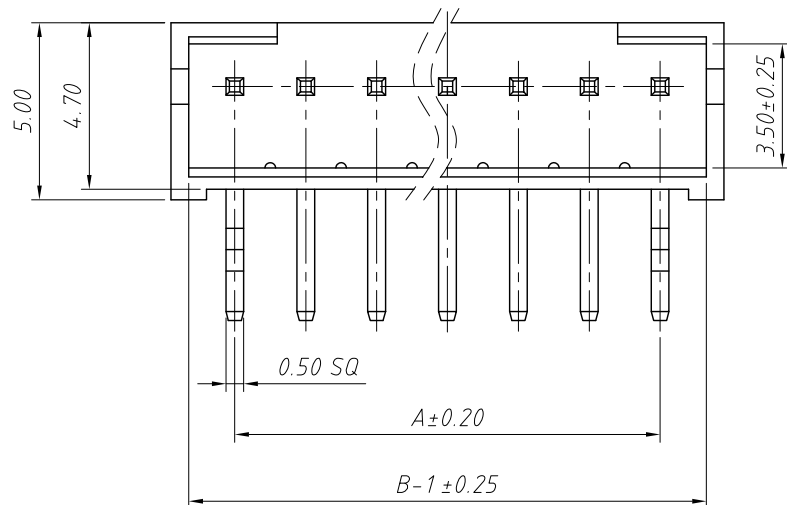
ANGLE TOLERANCE		PROJECTION	Description:
±3°			2.00mm Pitch IL-S Wire to Board Connector
GENERAL TOLERANCE		UNITS	mm
x.x	±0.30	SHEET SIZE	A4
x.xx	±0.20	Draw:	Daniel 2021-01-11
x.xxx	±0.10	Check:	Daniel 2021-01-11
			L-KLS1-XL9-2.00-XX-S



RoHS Compliance



Pin	Dimensions(mm)	
	A	B
02	2.00	6.00
03	4.00	8.00
04	6.00	10.00
05	8.00	12.00
06	10.00	14.00
07	12.00	16.00
08	14.00	18.00
09	16.00	20.00
10	18.00	22.00
11	20.00	24.00
12	22.00	26.00
13	24.00	28.00
14	26.00	30.00
15	28.00	32.00
16	30.00	34.00



Recommended PCB Layout  
Tolerance±0.05

Material:  
Housing:PA66,UL94V-0  
Contact:Phosphor Bronze  
Plating: Tin plated

Electrical Characteristics:  
Rated Current:1.0AMP  
Voltage rating:100V AC,DC  
Withstanding Voltage:800V AC/minute  
Insulator Resistance:1000MΩ Min  
Temperature range:-25°C ~ +85°C  
Contact Resistance:20mΩ Max

Order Information:  
L-KLS1-XL9-2.00-XX-R

L: RoHS  
Pitch:2.00mm  
XX-No.of 02 ~ 16 pins  
Type:  
T-Terminal H-Hosing  
S-Straight male pin  
R-Right angle male pin

ANGLE TOLERANCE	PROJECTION	Description:		
±3°		2.00mm Pitch IL-S Wire to Board Connector		
GENERAL TOLERANCE	UNITS	mm	KLS P/N:	L-KLS1-XL9-2.00-XX-R
x.x ±0.30	SHEET SIZE	A4		
x.xx ±0.20	Draw:	Daniel	2021-01-11	
x.xxx ±0.10	Check:	Daniel	2021-01-11	



NingBo KLS ELECTRONIC CO.,LTD.