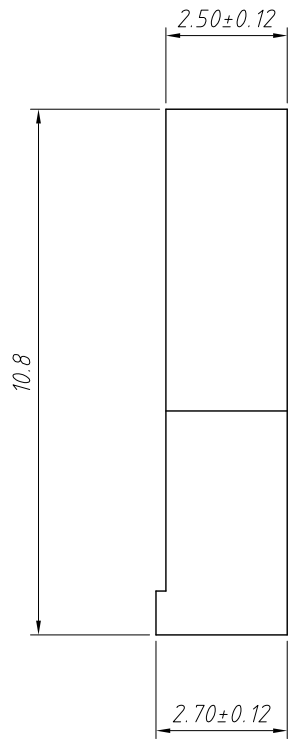
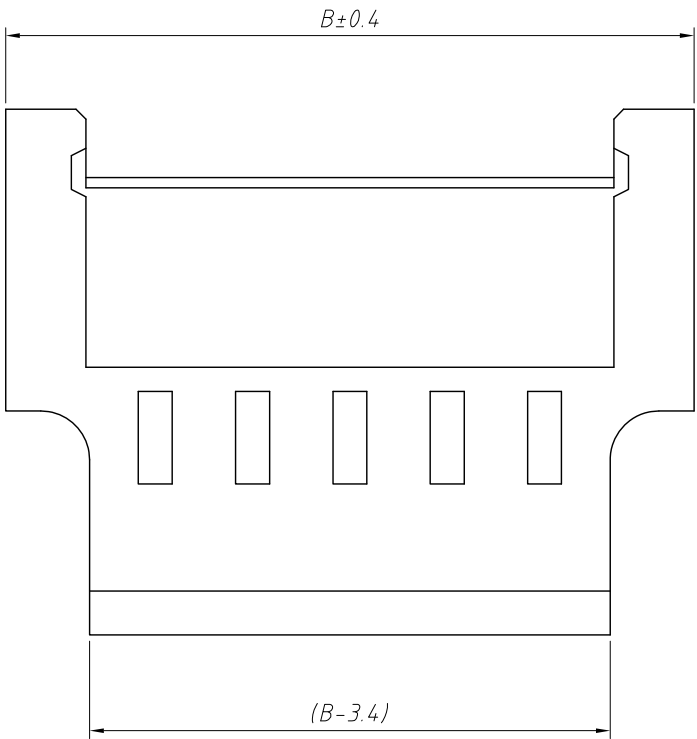
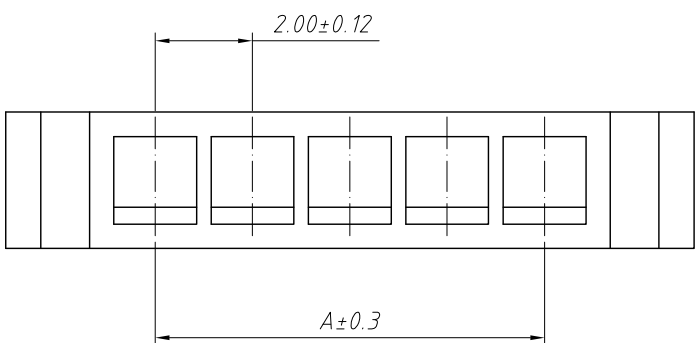


1
RoHS Compliance



Pin	Dimensions(mm)	
	A	B
02	2.00	8.00
03	4.00	10.00
04	6.00	12.00
05	8.00	14.00
06	10.00	16.00
07	12.00	18.00
08	14.00	20.00
09	16.00	22.00
10	18.00	24.00
11	20.00	26.00
12	22.00	28.00
13	24.00	30.00
14	26.00	32.00
15	28.00	34.00
16	30.00	36.00



Material:
Housing:PA66,UL94V-0

Electrical Characteristics:
Rated Current:2.0AMP
Voltage rating:125V AC,DC
Temperature range:-25°C ~ + 85°C
Insulator Resistance:1000M Ω Min
Withstand Voltage:500V AC/DC
Contact Resistance:20m Ω Max

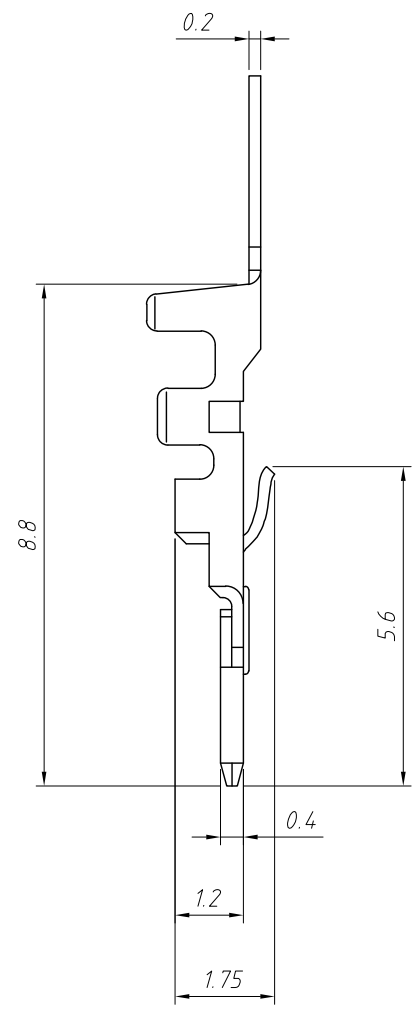
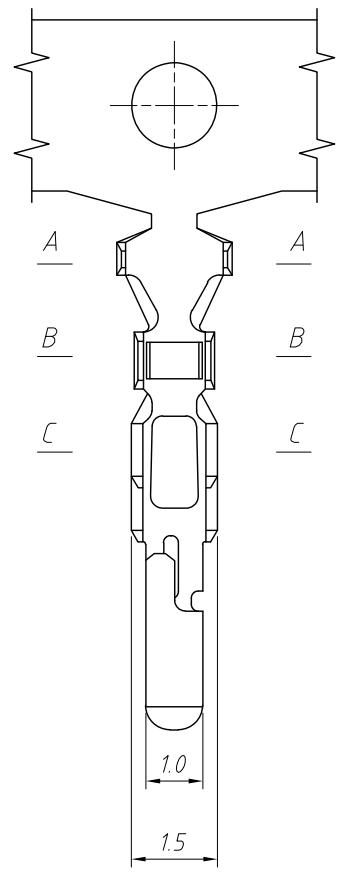
Order Information:
L-KLS1-XH1-2.00-XX-MH

L: RoHS
Pitch:2.00mm
XX-No.of 02 ~ 16 pins

Type:
MH-Male Hosing FH-Female Hosing
MT-Male Terminal FT-Female Terminal

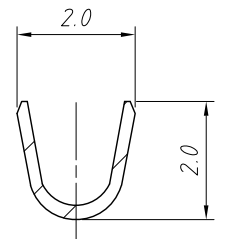
ANGLE TOLERANCE	PROJECTION	Description:	2.00mm Pitch 51006 type Wire to wire connector
$\pm 3^\circ$			
GENERAL TOLERANCE	UNITS	mm	KLS P/N: L-KLS1-XH1-2.00-XX-MH
x.x ± 0.30	SHEET SIZE	A4	NingBo KLS ELECTRONIC CO.,L TD.
x.xx ± 0.20	Draw:	Daniel 2021-01-11	
x.xxx ± 0.10	Check:	Daniel 2021-01-11	

1
RoHS Compliance

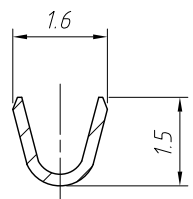


Material:
Terminal: Brass
Plating: Tin plated
Applicable wires: AWG #28 ~ # 24

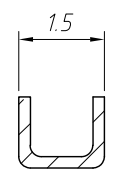
Electrical Characteristics:
Rated Current: 2.0AMP
Voltage rating: 125V AC, DC
Temperature range: -25°C ~ + 85°C
Insulator Resistance: 1000MΩ Min
Withstanding Voltage: 500V AC/minute
Contact Resistance: 20mΩ Max



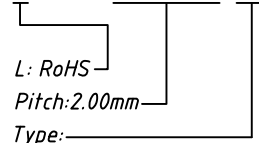
A-A

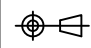



B-B

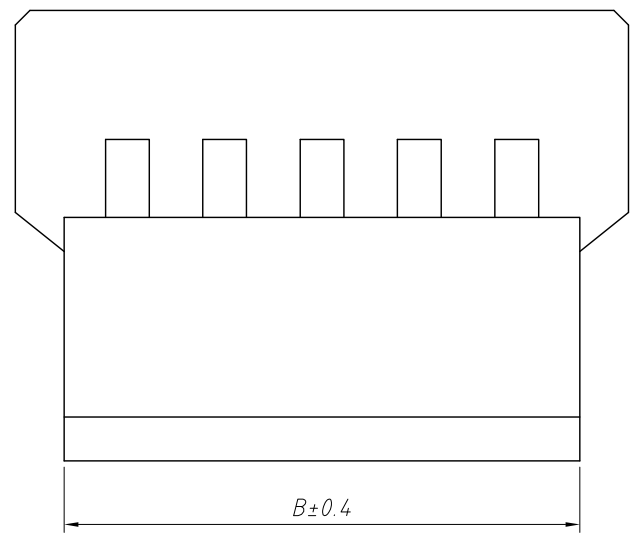
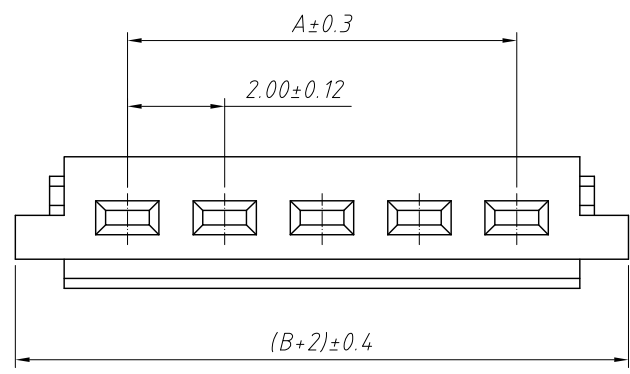


C-C

Order Information:
L-KLS1-XH1-2.00-MT

L: RoHS
Pitch: 2.00mm
Type:
MT/FT-Terminal

ANGLE TOLERANCE	A-A		PROJECTION	Description:
±3°				2.00mm Pitch Terminal
GENERAL TOLERANCE	UNITS	mm	KLS P/N:	L-KLS1-XH1-2.00-MT
x.x ±0.30	SHEET SIZE	A4		 NingBo KLS ELECTRONIC CO.,L TD.
x.xx ±0.20	Draw:	Daniel	2021-01-11	
x.xxx ±0.10	Check:	Daniel	2021-01-11	

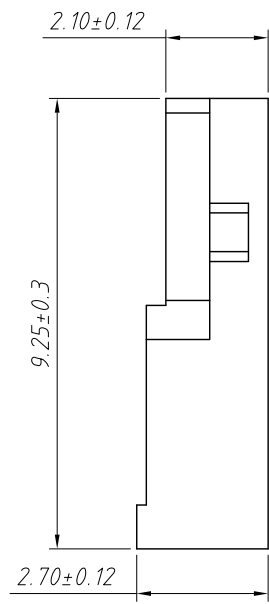
1
RoHS Compliance



Material:
Housing: PA66, UL94V-0

Electrical Characteristics:
Rated Current: 2.0AMP
Voltage rating: 125V AC, DC
Temperature range: -25°C ~ +85°C
Insulator Resistance: 1000MΩ Min
Withstand Voltage: 500V AC/DC
Contact Resistance: 20mΩ Max

Pin	Dimensions (mm)	
	A	B
02	2.00	4.60
03	4.00	6.60
04	6.00	8.60
05	8.00	10.60
06	10.00	12.60
07	12.00	14.60
08	14.00	16.60
09	16.00	18.60
10	18.00	20.60
11	20.00	22.60
12	22.00	24.60
13	24.00	26.60
14	26.00	28.60
15	28.00	30.60
16	30.00	32.60

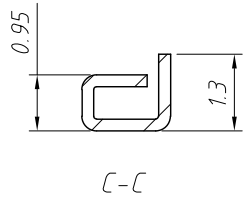
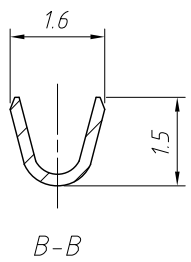
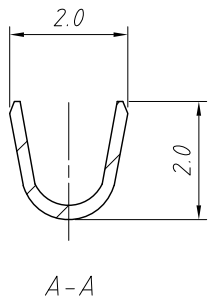
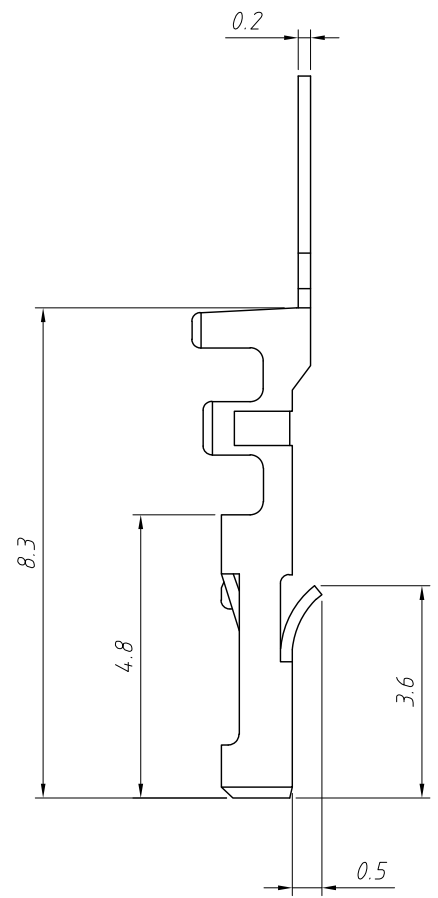
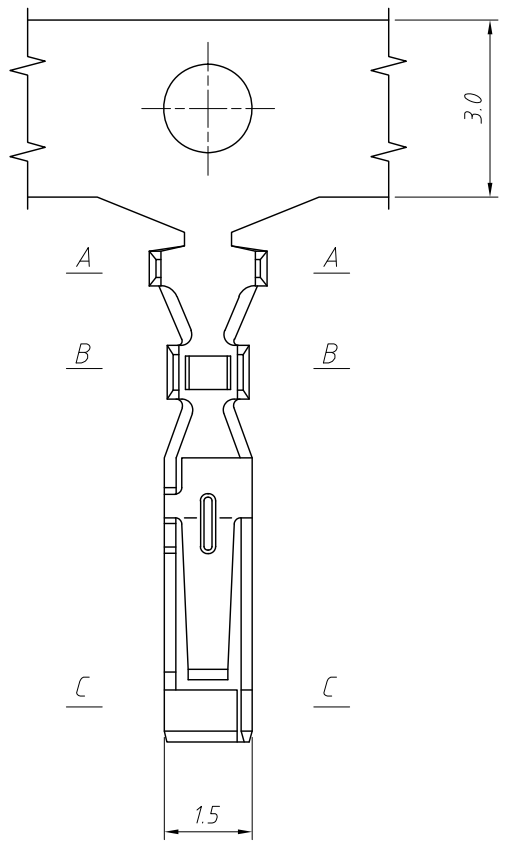


Order Information:
L-KLS1-XH1-2.00-XX-FH

L: RoHS
Pitch: 2.00mm
XX-No. of 02 ~ 16 pins
Type:
MH-Male Hosing FH-Female Hosing
MT-Male Terminal FT-Female Terminal

ANGLE TOLERANCE	PROJECTION	Description:	2.00mm Pitch 51006 type Wire to wire connector
±3°			
GENERAL TOLERANCE	UNITS	mm	KLS P/N: L-KLS1-XH1-2.00-XX-FH
x.x ±0.30	SHEET SIZE	A4	NingBo KLS ELECTRONIC CO.,L TD.
x.xx ±0.20	Draw:	Daniel 2021-01-11	
x.xxx ±0.10	Check:	Daniel 2021-01-11	

1
RoHS Compliance



Material:
 Terminal: Brass
 Plating: Tin plated
 Applicable wires: AWG #28 ~ # 24

Electrical Characteristics:
 Rated Current: 2.0AMP
 Voltage rating: 125V AC,DC
 Temperature range: -25°C ~ + 85°C
 Insulator Resistance: 1000MΩ Min
 Withstanding Voltage: 500V AC/minute
 Contact Resistance: 20mΩ Max

Order Information:
 L-KLS1-XH1-2.00-FT

L: RoHS
 Pitch: 2.00mm
 Type: MT/FT-Terminal

ANGLE TOLERANCE	A-A		PROJECTION	Description:
±3°				2.00mm Pitch Terminal
GENERAL TOLERANCE	UNITS	mm	KLS P/N:	L-KLS1-XH1-2.00-FT
x.x ±0.30	SHEET SIZE	A4		NingBo KLS ELECTRONIC CO.,LTD.
x.xx ±0.20	Draw:	Daniel	2021-01-11	
x.xxx ±0.10	Check:	Daniel	2021-01-11	