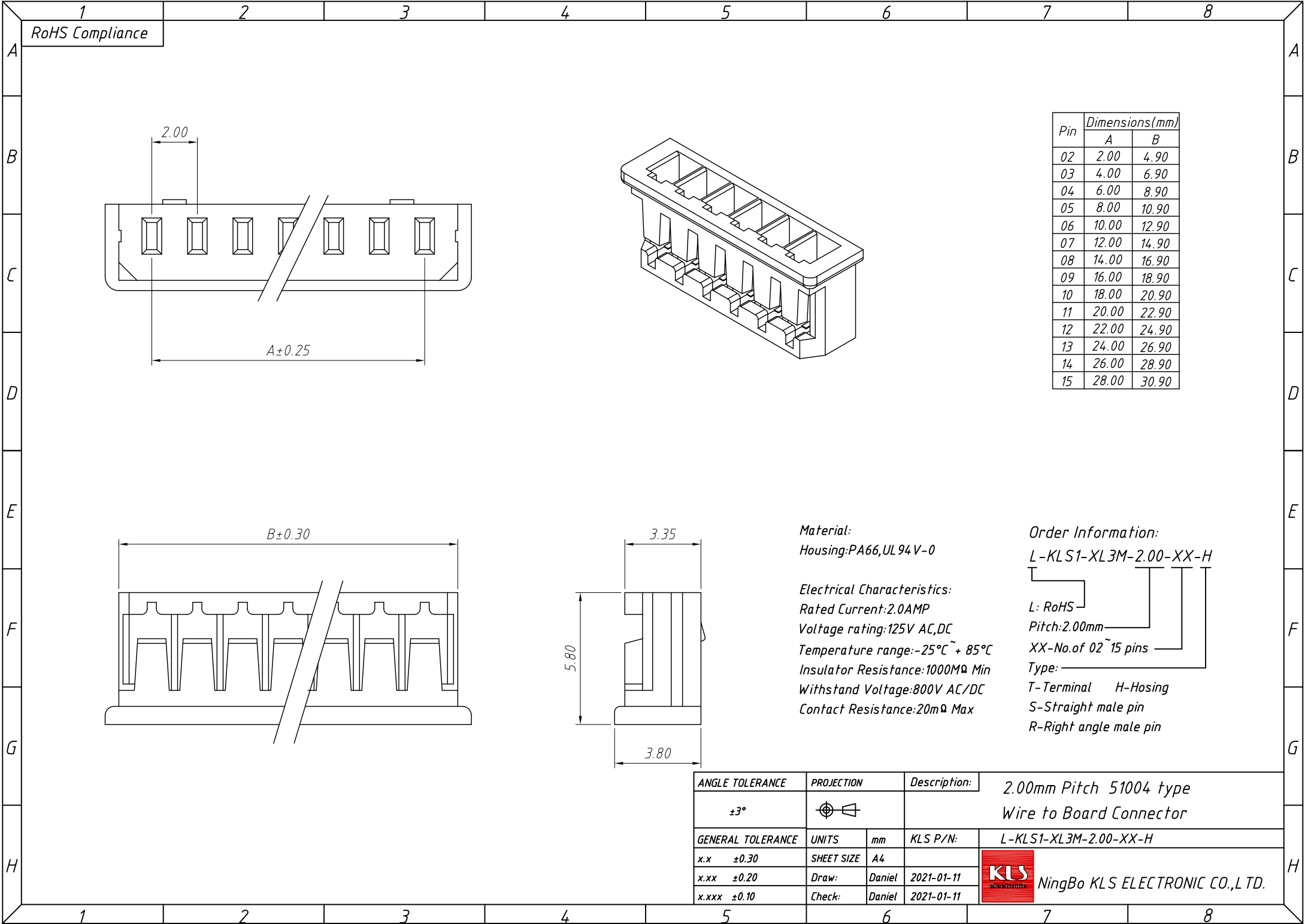


1  
RoHS Compliance



Pin	Dimensions(mm)	
	A	B
02	2.00	4.90
03	4.00	6.90
04	6.00	8.90
05	8.00	10.90
06	10.00	12.90
07	12.00	14.90
08	14.00	16.90
09	16.00	18.90
10	18.00	20.90
11	20.00	22.90
12	22.00	24.90
13	24.00	26.90
14	26.00	28.90
15	28.00	30.90

**Material:**  
Housing:PA66,UL 94V-0

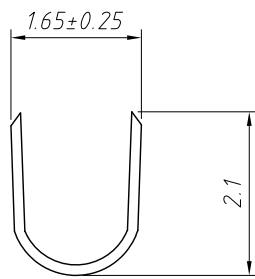
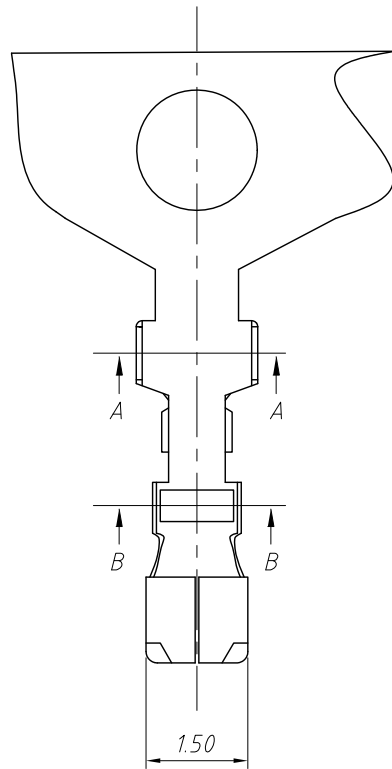
**Electrical Characteristics:**  
Rated Current:2.0AMP  
Voltage rating:125V AC,DC  
Temperature range:-25°C ~ + 85°C  
Insulator Resistance:1000MΩ Min  
Withstand Voltage:800V AC/DC  
Contact Resistance:20mΩ Max

**Order Information:**  
L-KLS1-XL3M-2.00-XX-H  
L: RoHS  
Pitch:2.00mm  
XX-No.of 02 ~ 15 pins  
Type:  
T-Terminal H-Hosing  
S-Straight male pin  
R-Right angle male pin

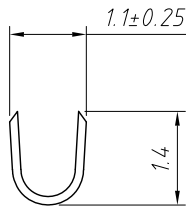
ANGLE TOLERANCE	PROJECTION	Description:	2.00mm Pitch 51004 type Wire to Board Connector
±3°			
GENERAL TOLERANCE	UNITS	mm	KLS P/N:
x.x ±0.30	SHEET SIZE	A4	L-KLS1-XL3M-2.00-XX-H
x.xx ±0.20	Draw:	Daniel	2021-01-11
x.xxx ±0.10	Check:	Daniel	2021-01-11

NingBo KLS ELECTRONIC CO.,L TD.

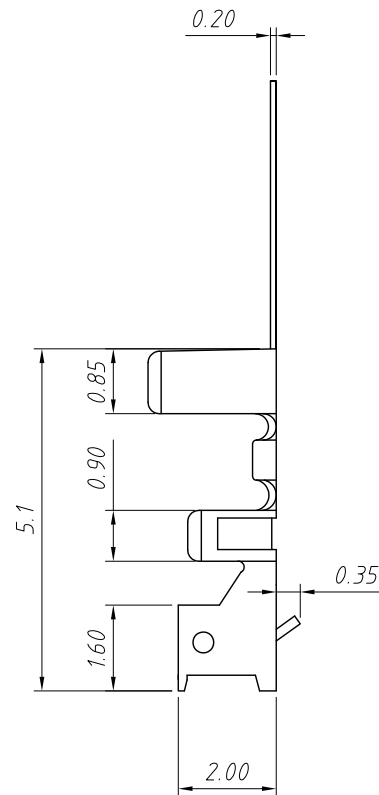
1  
RoHS Compliance



A-A



B-B



Material:  
Terminal: Phosphor Bronze  
Plating: Tin plated  
Applicable wires: AWG #24 ~ #30  
Insulation O.D.: 1.40mm Max  
Qty/reel: 10000 pcs

Electrical Characteristics:  
Rated Current: 2.0AMP  
Voltage rating: 125V AC, DC  
Temperature range: -25°C ~ +85°C  
Insulator Resistance: 1000MΩ Min  
Withstand Voltage: 800V AC/DC  
Contact Resistance: 20mΩ Max

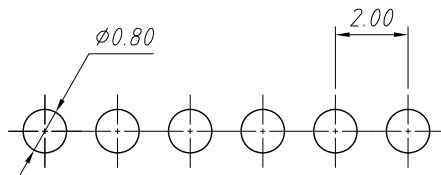
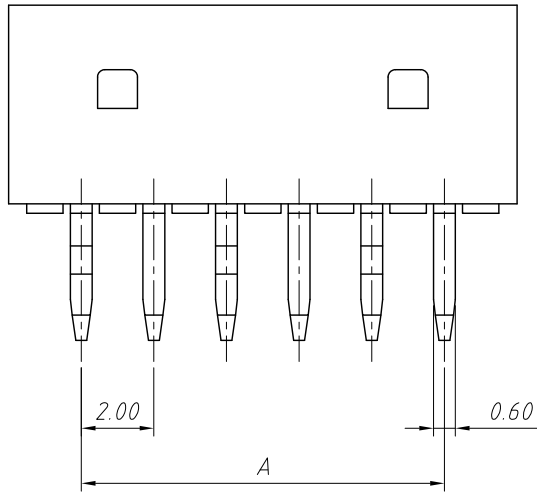
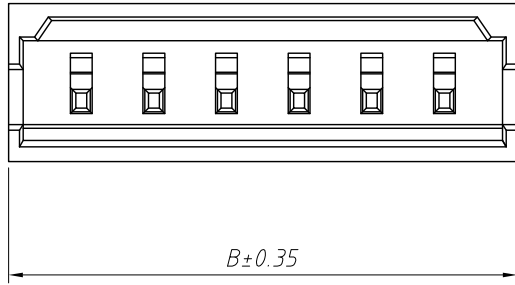
Order Information:  
L-KLS1-XL3M-2.00-T  
L: RoHS  
Pitch: 2.00mm  
Type:  
T-Terminal H-Hosing  
S-Straight male pin  
R-Right angle male pin

ANGLE TOLERANCE	PROJECTION	Description:	2.00mm Pitch 51004 type Wire to Board Connector
±3°			
GENERAL TOLERANCE	UNITS	mm	KLS P/N:
x.x ±0.30	SHEET SIZE	A4	L-KLS1-XL3M-2.00-T
x.xx ±0.20	Draw:	Daniel	2021-01-11
x.xxx ±0.10	Check:	Daniel	2021-01-11

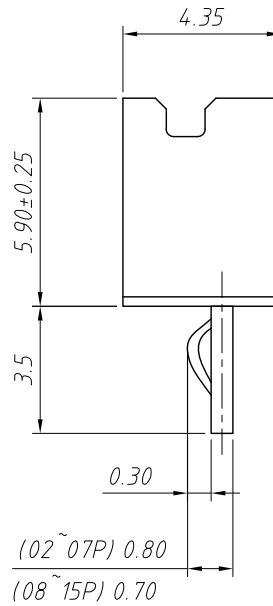


NingBo KLS ELECTRONIC CO.,LTD.

1 RoHS Compliance



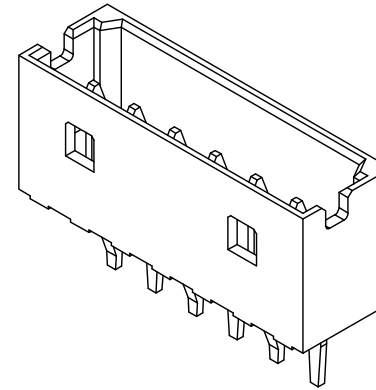
Recommended PCB Layout



Material:  
Housing: PA66, UL 94V-0  
Contact: Brass  
Plating: Tin Plated over Nickel

Electrical Characteristics:  
Rated Current: 2.0AMP  
Voltage rating: 125V AC, DC  
Temperature range: -25°C ~ +85°C  
Insulator Resistance: 1000MΩ Min  
Withstand Voltage: 800V AC/DC  
Contact Resistance: 20mΩ Max

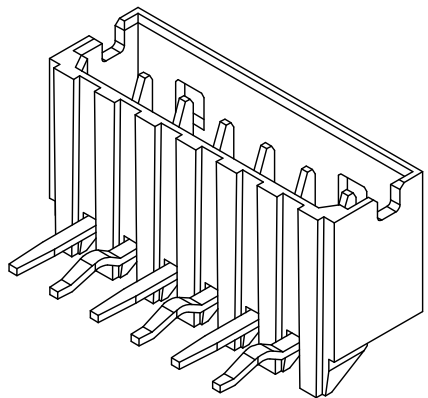
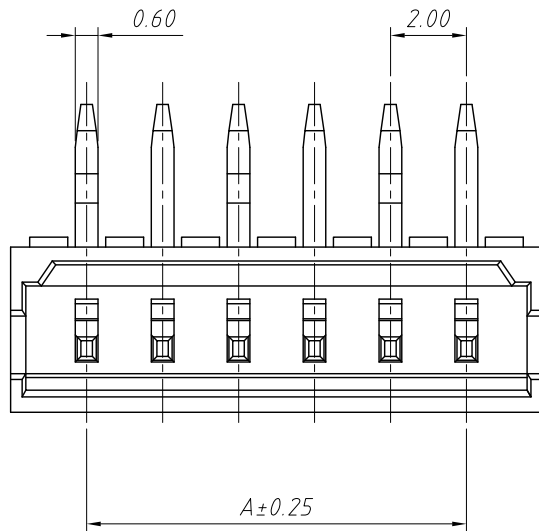
Pin	Dimensions (mm)	
	A	B
02	2.00	6.00
03	4.00	8.00
04	6.00	10.00
05	8.00	12.00
06	10.00	14.00
07	12.00	16.00
08	14.00	18.00
09	16.00	20.00
10	18.00	22.00
11	20.00	24.00
12	22.00	26.00
13	24.00	28.00
14	26.00	30.00
15	28.00	32.00



Order Information:  
L-KLS1-XL3M-2.00-XX-S  
L: RoHS  
Pitch: 2.00mm  
XX-No. of 02 ~ 15 pins  
Type:  
T-Terminal H-Housing  
S-Straight male pin  
R-Right angle male pin

ANGLE TOLERANCE	PROJECTION	Description:	2.00mm Pitch 51004 type Wire to Board Connector
±3°			
GENERAL TOLERANCE	UNITS	mm	KLS P/N: L-KLS1-XL3M-2.00-XX-S
x.x ±0.30	SHEET SIZE	A4	NingBo KLS ELECTRONIC CO.,LTD.
x.xx ±0.20	Draw:	Daniel 2021-01-11	
x.xxx ±0.10	Check:	Daniel 2021-01-11	

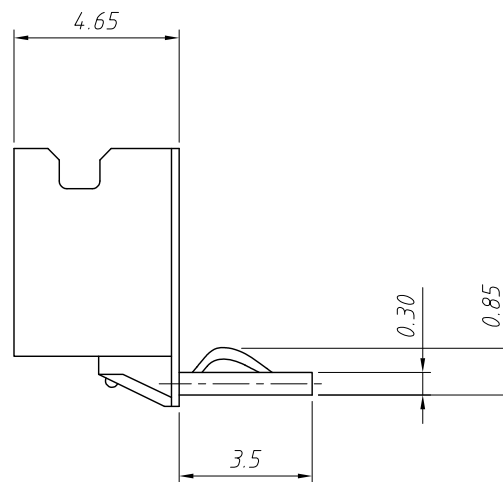
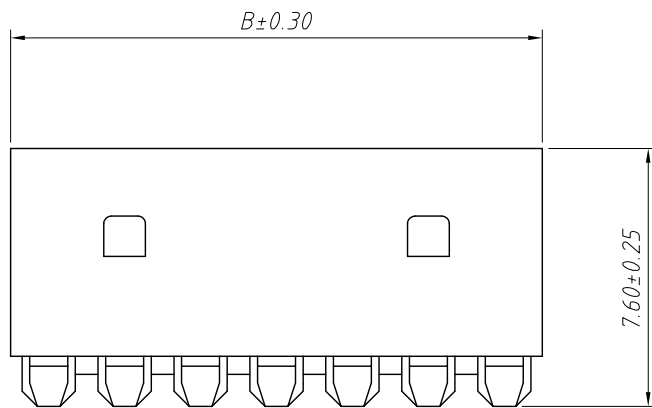
1  
RoHS Compliance



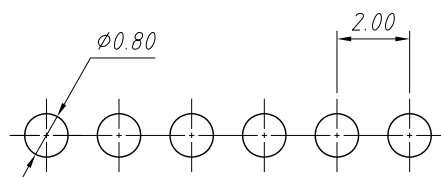
Material:  
Housing:PA66,UL94 V-0  
Contact:Brass  
Plating: Tin Plated over Nickel

Electrical Characteristics:  
Rated Current:2.0AMP  
Voltage rating:125V AC,DC  
Temperature range:-25°C ~ + 85°C  
Insulator Resistance:1000MΩ Min  
Withstand Voltage:800V AC/DC  
Contact Resistance:20mΩ Max

Pin	Dimensions(mm)	
	A	B
02	2.00	6.00
03	4.00	8.00
04	6.00	10.00
05	8.00	12.00
06	10.00	14.00
07	12.00	16.00
08	14.00	18.00
09	16.00	20.00
10	18.00	22.00
11	20.00	24.00
12	22.00	26.00
13	24.00	28.00
14	26.00	30.00
15	28.00	32.00



Order Information:  
L-KLS1-XL3M-2.00-XX-R  
L: RoHS  
Pitch:2.00mm  
XX-No.of 02~15 pins  
Type:  
T-Terminal H-Hosing  
S-Straight male pin  
R-Right angle male pin



Recommended PCB Layout

ANGLE TOLERANCE	PROJECTION	Description:	2.00mm Pitch 51004 type Wire to Board Connector
±3°			
GENERAL TOLERANCE	UNITS	mm	KLS P/N:
x.x ±0.30	SHEET SIZE	A4	L-KLS1-XL3M-2.00-XX-R
x.xx ±0.20	Draw:	Daniel	2021-01-11
x.xxx ±0.10	Check:	Daniel	2021-01-11



NingBo KLS ELECTRONIC CO.,L TD.