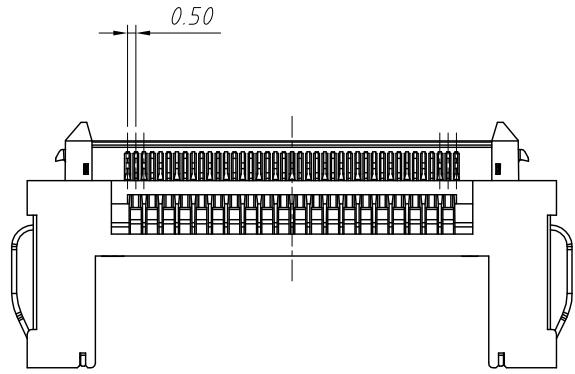
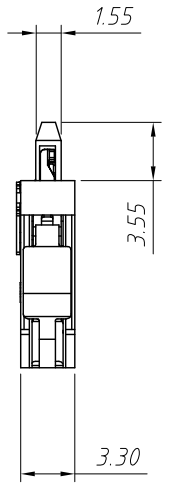
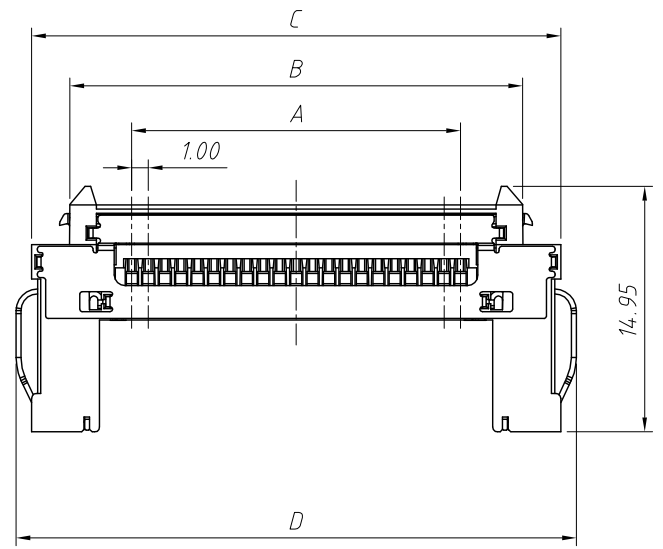
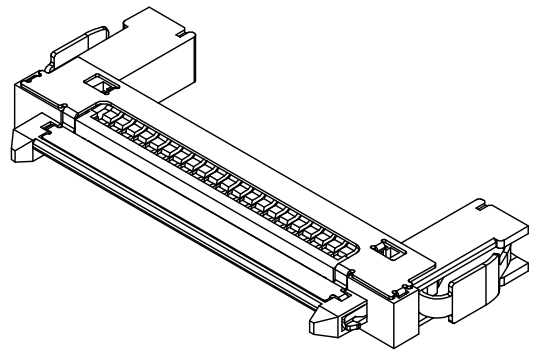
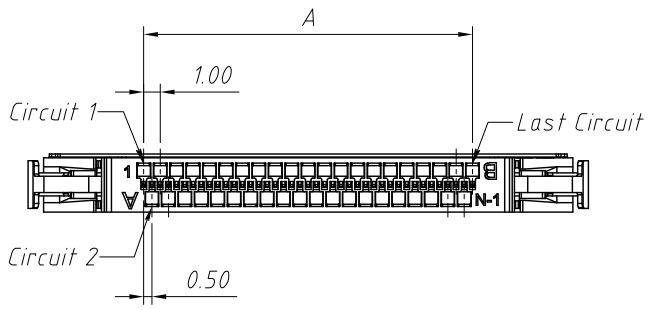


1
RoHS Compliance



Poles	A	B	C	D
21	10.00	17.54	22.20	24.34
31	15.00	22.54	27.20	29.34
41	20.00	27.54	32.20	34.34
51	25.00	32.54	37.20	39.34



Material:
Housing:PA46, UL 94V-0
Shell:Stainless
Lock lever:Stainless

Electrical Characteristics:
Current rating:0.7A AC,DC
Voltage rating:100V AC,DC
Temperature range:-25°C ~ +85°C
Contact resistance:50mΩ/Max.
Insulation resistance:100MΩ/Min.
Withstanding voltage:500V AC/minute

Order Information:
L-KLS1-XF1-0.50-XX-H1

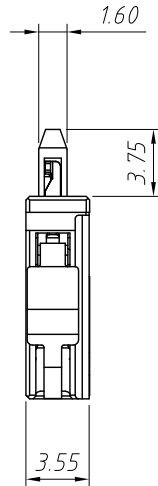
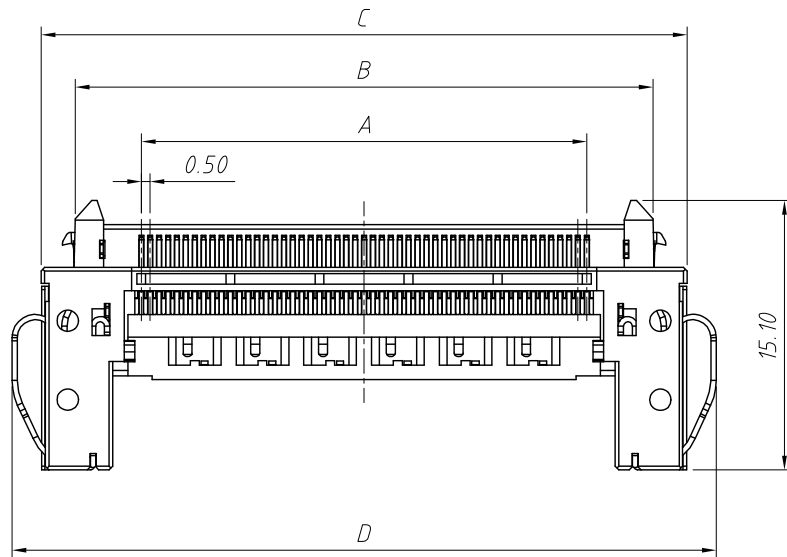
- L: RoHS
- 0.50mm Pitch
- XX-No. of 21 ~ 51pin
- Type:T1/T2:Terminal
- H1-Crimp Hosing
- H2-Soldering Hosing
- RM-Horizontal SMT Pin

ANGLE TOLERANCE	PROJECTION	Description:
±3°		0.50 Pitch FI-RE wire to board connector
GENERAL TOLERANCE	UNITS	mm
x.x ±0.30	SHEET SIZE	A4
x.xx ±0.20	Draw:	Daniel 2020-11-11
x.xxx ±0.10	Check:	Daniel 2020-11-11
		KLS P/N: L-KLS1-XF1-0.50-XX-H1



NingBo KLS ELECTRONIC CO.,L TD.

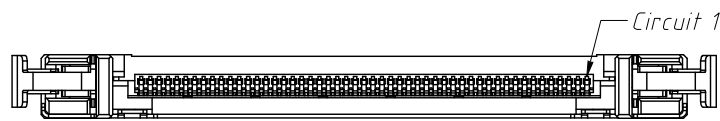
1
RoHS Compliance



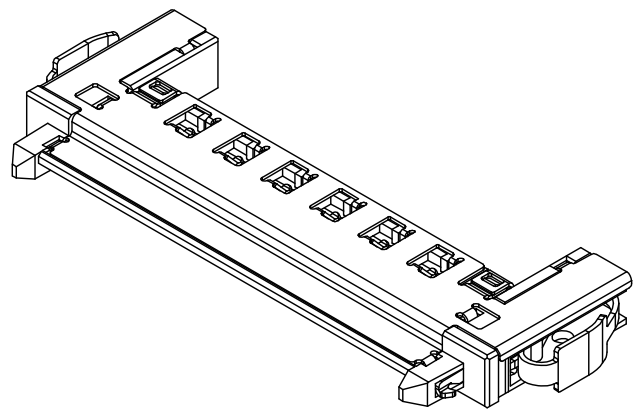
Poles	A	B	C	D
21	10.00	17.40	21.25	24.45
31	15.00	22.40	26.25	29.45
41	20.00	27.40	31.25	34.45
51	25.00	32.40	36.25	39.45

Material:
 Housing:LCP, UL 94V-0
 Shell:Phosphor Bronze,Tin-plated
 Lock lever:Stainless
 Pin:Phosphor Bronze,Gold-plated on contact area
 Tin-plated on solder area

Electrical Characteristics:
 Current rating:0.7A AC,DC
 Voltage rating:100V AC,DC
 Temperature range:-25°C ~+85°C
 Contact resistance:50mΩ/Max.
 Insulation resistance:100MΩ/Min.
 Withstanding voltage:500V AC/minute



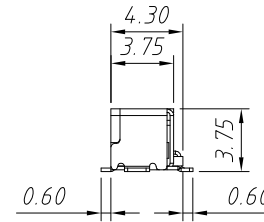
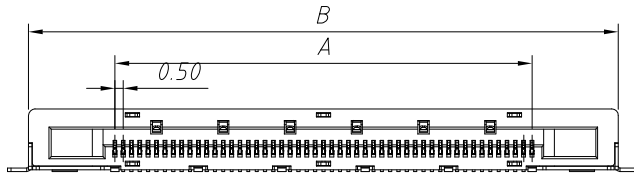
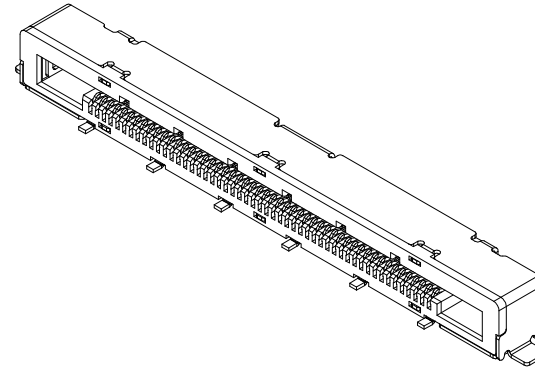
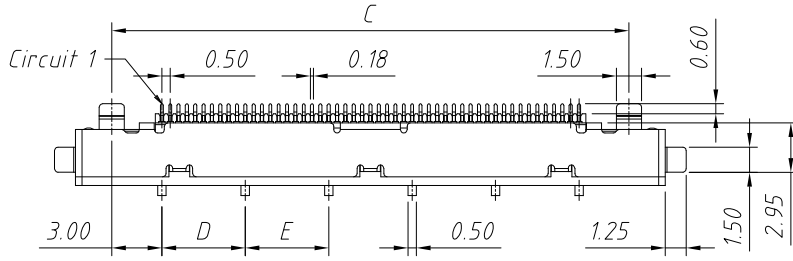
Order Information:
 L-KLS1-XF1-0.50-XX-H2
 L: RoHS
 0.50mm Pitch
 XX-No. of 21~51pin
 Type:T1/T2:Terminal
 H1-Crimp Hosing
 H2-Soldering Hosing
 RM-Horizontal SMT Pin



ANGLE TOLERANCE	PROJECTION	Description:
±3°		0.50 Pitch FI-RE wire to board connector
GENERAL TOLERANCE	UNITS	mm
x.x ±0.30	SHEET SIZE	A4
x.xx ±0.20	Draw:	Daniel
x.xxx ±0.10	Check:	Daniel

KLS
 NingBo KLS ELECTRONIC CO.,LTD.

1 RoHS Compliance



Poles	A	B	C	D	D
21	10.00	20.35	16.00	3.00	---
31	15.00	25.35	21.00	4.00	---
41	20.00	30.35	26.00	4.00	4.00
51	25.00	35.35	31.00	5.00	5.00

Material:

Housing:LCP, UL 94V-0

Pin:Phosphor Bronze,Gold-plated on contact area

Tin-plated on solder area

Shell:Phosphor Bronze ,Tin-plated

Order Information:

L-KLS1-XF1-0.50-XX-RM

L: RoHS

0.50mm Pitch

XX-No. of 21~51pin

Type:T1/T2:Terminal

H1-Crimp Hosing

H2-Soldering Hosing

RM-Horizontal SMT Pin

Electrical Characteristics:

Current rating:0.7A AC,DC

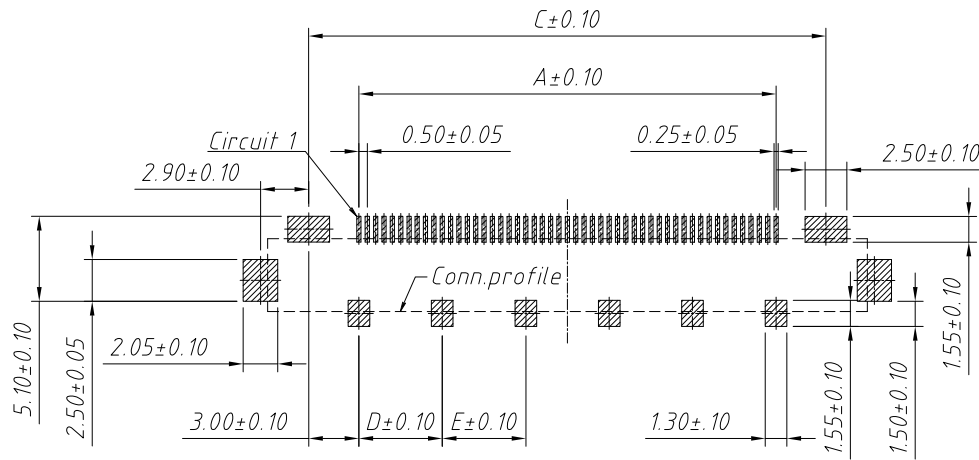
Voltage rating:100V AC,DC

Temperature range:-25°C~+85°C

Contact resistance:50mΩ/Max.

Insulationresistance:100MΩ/Min.

Withstanding voltage:500V AC/minute



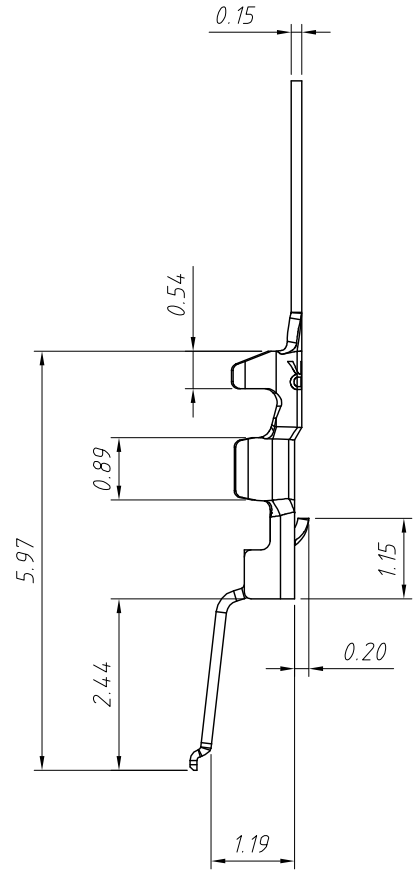
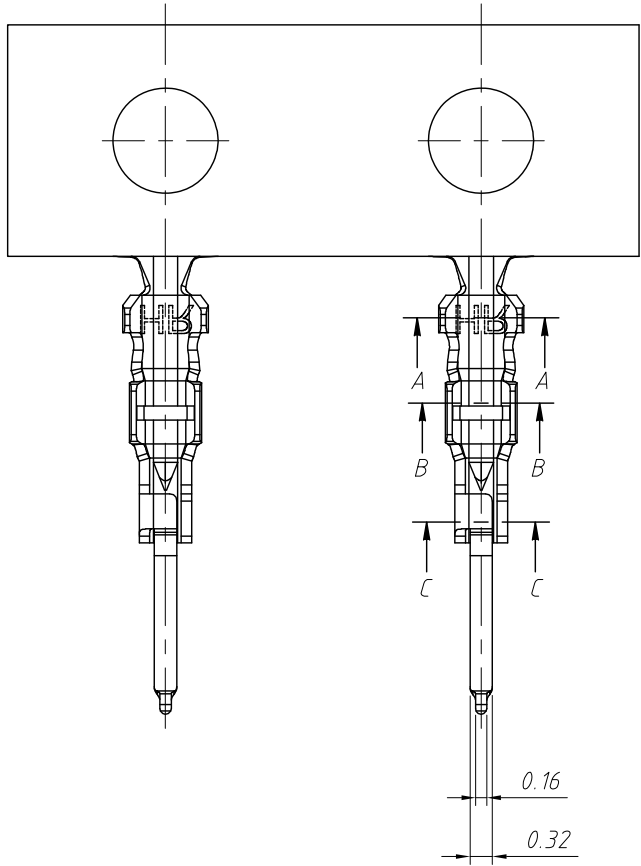
Suggested PCB Layout
(Component Side)

ANGLE TOLERANCE		PROJECTION		Description:	
±3°				0.50 Pitch FI-RE wire to board connector	
GENERAL TOLERANCE		UNITS	mm	KLS P/N:	
x.x ±0.30		SHEET SIZE		A4	
x.xx ±0.20		Draw:		Daniel 2020-11-11	
x.xxx ±0.10		Check:		Daniel 2020-11-11	



NingBo KLS ELECTRONIC CO.,L TD.

1
RoHS Compliance



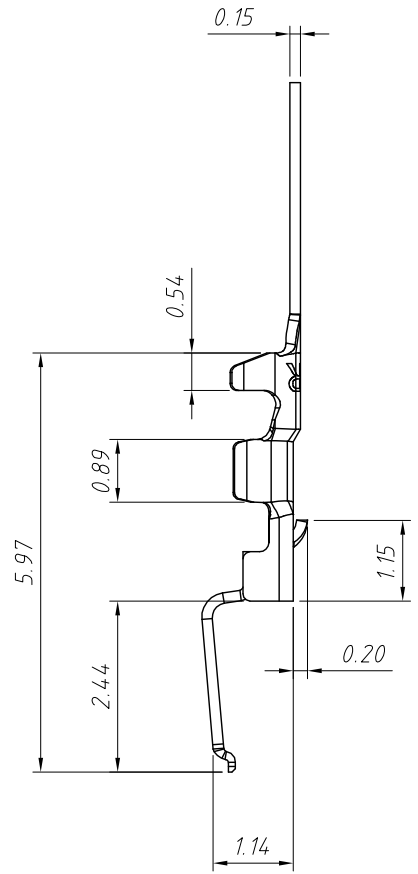
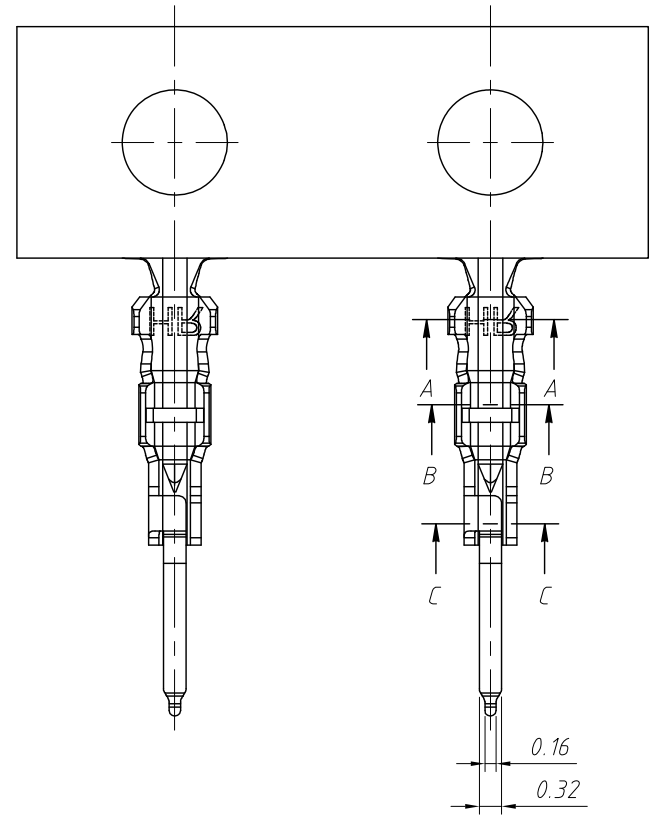
Material:
Terminal: Phosphor Bronze, Gold-plated
Wire Range: AWG#30-#36
Insulation OD: 0.75mm Max.

Electrical Characteristics:
Current rating: 0.7A AC, DC
Voltage rating: 100V AC, DC
Temperature range: -25°C ~ +85°C
Contact resistance: 50mΩ/Max.
Insulation resistance: 100MΩ/Min.
Withstanding voltage: 500V AC/minute

Order Information:
L-KLS1-XF1-0.50-T1
L: RoHS
0.50mm Pitch
Type: T1/T2: Terminal
H1-Crimp Hosing
H2-Soldering Hosing
RM-Horizontal SMT Pin

ANGLE TOLERANCE	PROJECTION	Description:	
±3°		0.50 Pitch FI-RE wire to board connector	
GENERAL TOLERANCE	UNITS	mm	KLS P/N: L-KLS1-XF1-0.50-T1
x.x ±0.30	SHEET SIZE	A4	NingBo KLS ELECTRONIC CO.,L TD.
x.xx ±0.20	Draw:	Daniel 2020-11-11	
x.xxx ±0.10	Check:	Daniel 2020-11-11	

1
RoHS Compliance

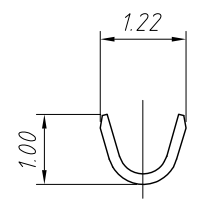


Material:
Terminal: Phosphor Bronze, Gold-plated
Wire Range: AWG#30-#36
Insulation OD: 0.75mm Max.

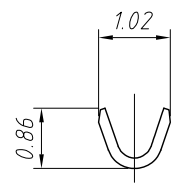
Electrical Characteristics:
Current rating: 0.7A AC, DC
Voltage rating: 100V AC, DC
Temperature range: -25°C ~ +85°C
Contact resistance: 50mΩ/Max.
Insulation resistance: 100MΩ/Min.
Withstanding voltage: 500V AC/minute

Order Information:
L-KLS1-XF1-0.50-T2

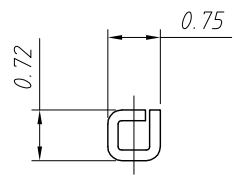
L: RoHS
0.50mm Pitch
Type: T1/T2: Terminal
H1-Crimp Hosing
H2-Soldering Hosing
RM-Horizontal SMT Pin



SEC:A-A



SEC:B-B



SEC:C-C

ANGLE TOLERANCE	PROJECTION	Description:
±3°		0.50 Pitch FI-RE wire to board connector
GENERAL TOLERANCE	UNITS	mm
x.x ±0.30	SHEET SIZE	A4
x.xx ±0.20	Draw:	Daniel 2020-11-11
x.xxx ±0.10	Check:	Daniel 2020-11-11
KLS P/N:		L-KLS1-XF1-0.50-T2

