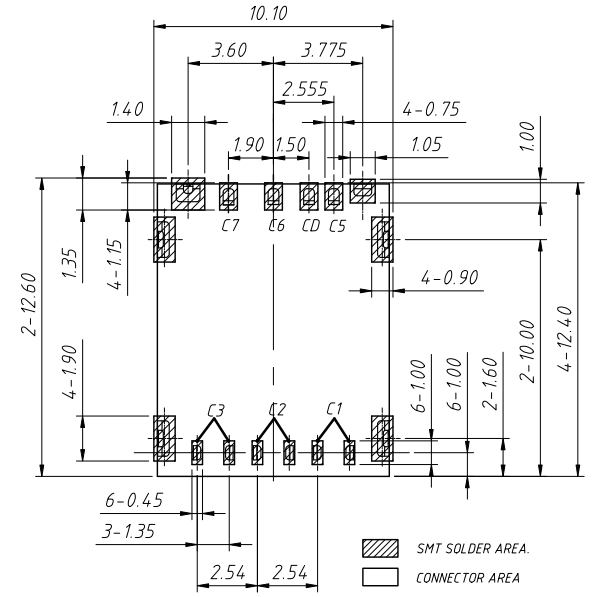
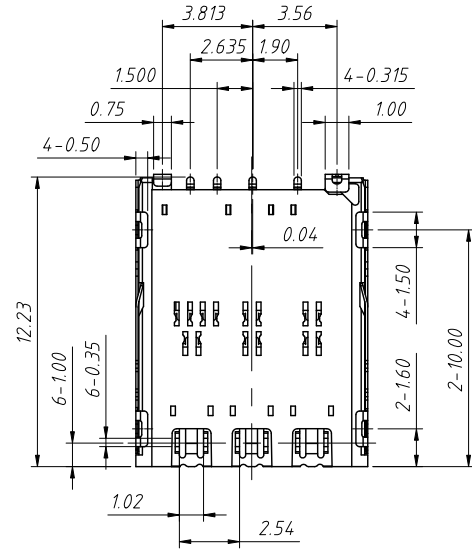
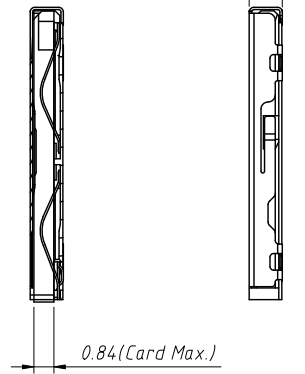


Section: A-A

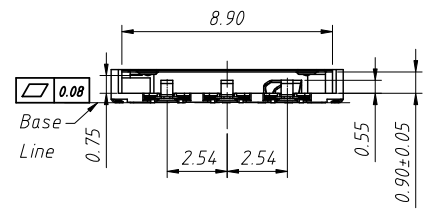


SMT SOLDER AREA.
 CONNECTOR AREA

Recommended PCB Layout Top View (Tolerance:±0.05)
 Recommended Metal Mask T=0.12mm

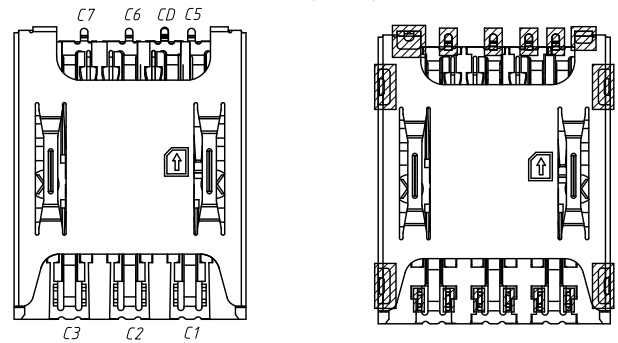
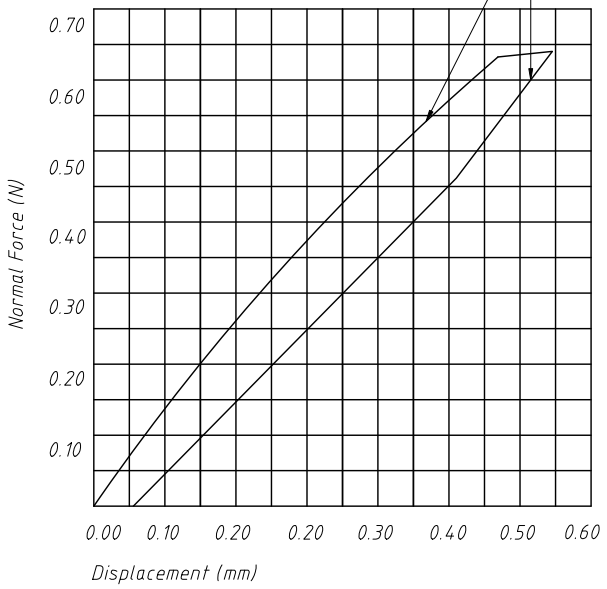
SW Circuit Description for Connector:

Card Insertion State	Detect Switch Circuit State	Schematic
Unmated	Opened	Detect Pin(CD) - [C5]
Mated	Closed	Detect Pin(CD) - [C5]

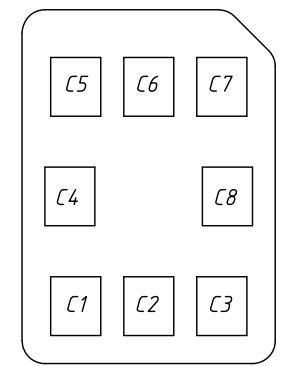


Curve For Normal Force

Normal Force Chart For Contact Terminal:



Material:
 1.Shell:SUS304.Ni Plated,G/F Palted On Solder Area
 2.Base Insulator:LCP+GF30%,Black
 3.Terminal:C5210,Au 1u" Palted
Electrical:
 Rated current:0.5A Max ; Rated Voltage:30V AC ; Durability:5000 Cycles
 Contact Resistance:100mΩ Max ; Insulation Resistance:1000MΩ Min./500V DC
 Dielectric Withstanding Voltage:500V AC/minute. ; Solder ability:250±5°C,10±0.5s
 Operating condition:Temperature-40°C TO +85°C;Humidity 80% R.H. Max.
 Mating and Unmating force :Insertion Force 10N Max ; Withdrawal Fore 0.5N Min
 Coplanarity:Before Ir 0.08mm Max ; After Ir 0.10 mm Max

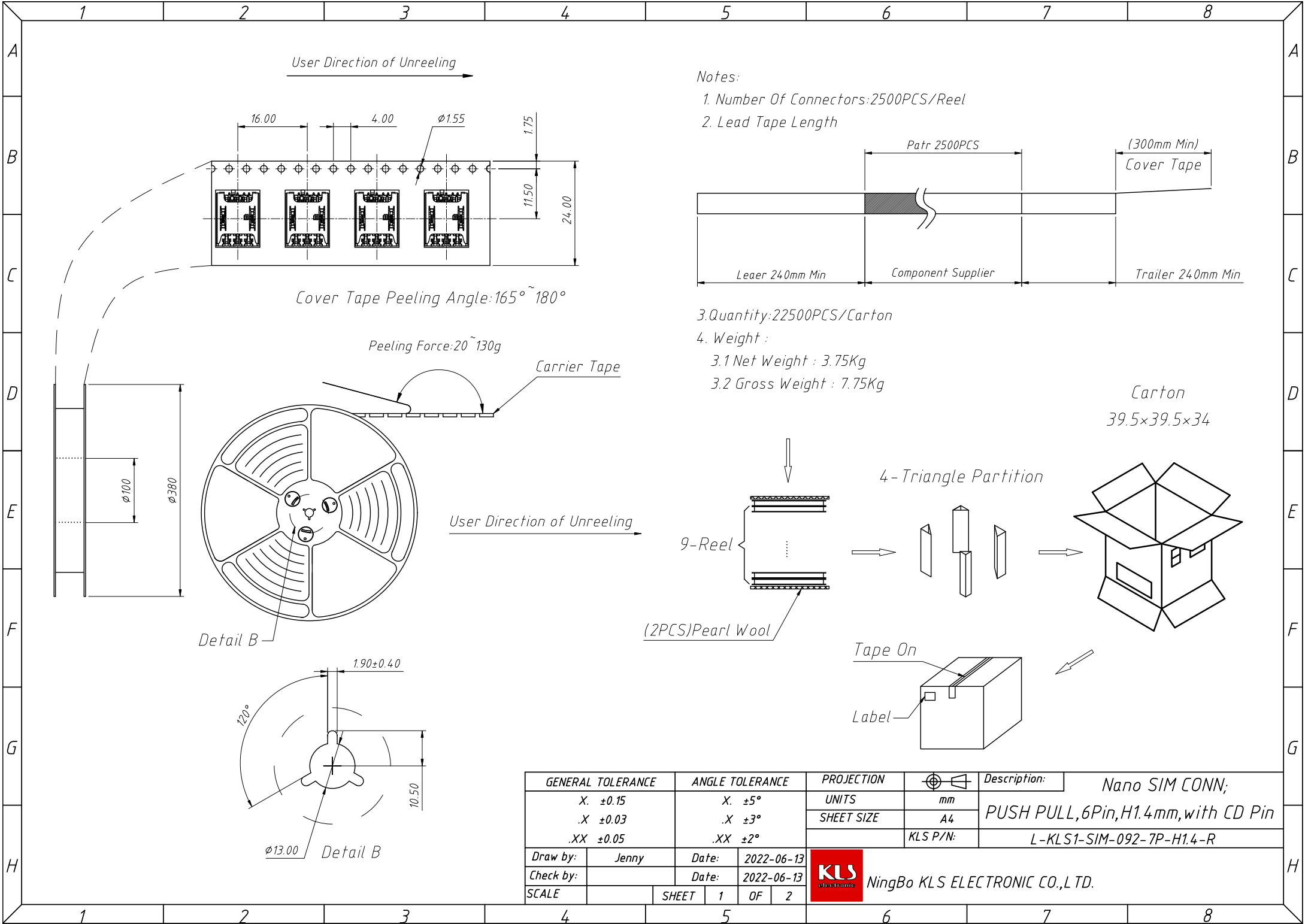


Nano SIM Circuit Description	
Pin No.	FUNCTION
C1	VCC
C2	RST
C3	CLK
C4	Reserved
C5	GND
C6	VPP
C7	I/O
C8	Reserved

GENERAL TOLERANCE		ANGLE TOLERANCE		PROJECTION		Description: Nano SIM CONN; PUSH PULL,6Pin,H1.4mm,with CD Pin L-KLS1-SIM-092-7P-H1.4-R
X	±0.15	X	±5°	UNITS	mm	
.X	±0.03	.X	±3°	SHEET SIZE	A4	
.XX	±0.05	.XX	±2°	KLS P/N:		

Draw by:	Jenny	Date:	2022-06-13
Check by:		Date:	2022-06-13
SCALE		SHEET	1 OF 2

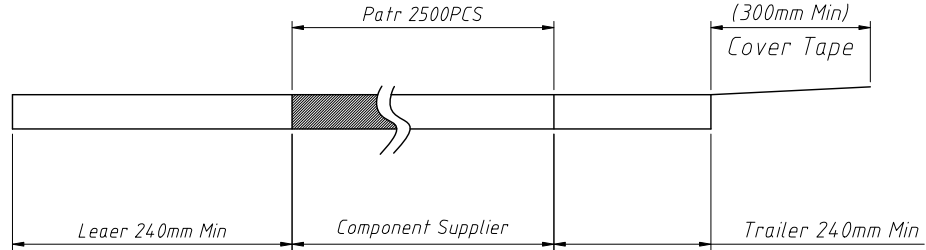
NingBo KLS ELECTRONIC CO.,L TD.



User Direction of Unreeling

Notes:

- 1. Number Of Connectors: 2500PCS/Reel
- 2. Lead Tape Length



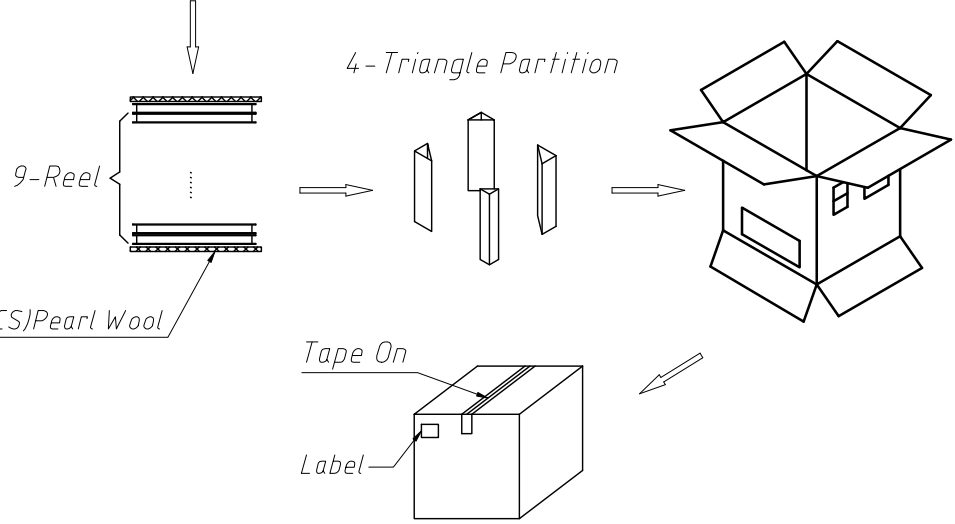
Cover Tape Peeling Angle: 165° ~ 180°

Peeling Force: 20 ~ 130g

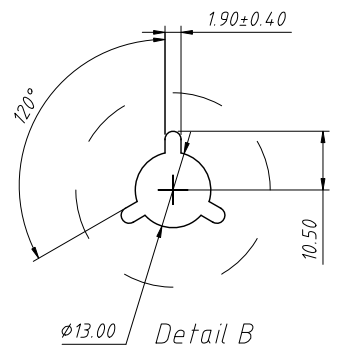
Carrier Tape

- 3. Quantity: 22500PCS/ Carton
- 4. Weight :
 - 3.1 Net Weight : 3.75Kg
 - 3.2 Gross Weight : 7.75Kg

Carton
39.5x39.5x34



Detail B



Detail B

GENERAL TOLERANCE		ANGLE TOLERANCE		PROJECTION		Description:
X	±0.15	X	±5°	UNITS	mm	Nano SIM CONN; PUSH PULL, 6Pin, H1.4mm, with CD Pin
.X	±0.03	.X	±3°	SHEET SIZE	A4	
.XX	±0.05	.XX	±2°		KLS P/N:	L-KLS1-SIM-092-7P-H1.4-R
Draw by:	Jenny	Date:	2022-06-13	NingBo KLS ELECTRONIC CO.,L TD.		
Check by:		Date:	2022-06-13			
SCALE		SHEET	1 OF 2			