

1. SCOPE

This specification applies piezo Buzzer L-KLS3-PB-43*14.

2. SPECIFICATOIN

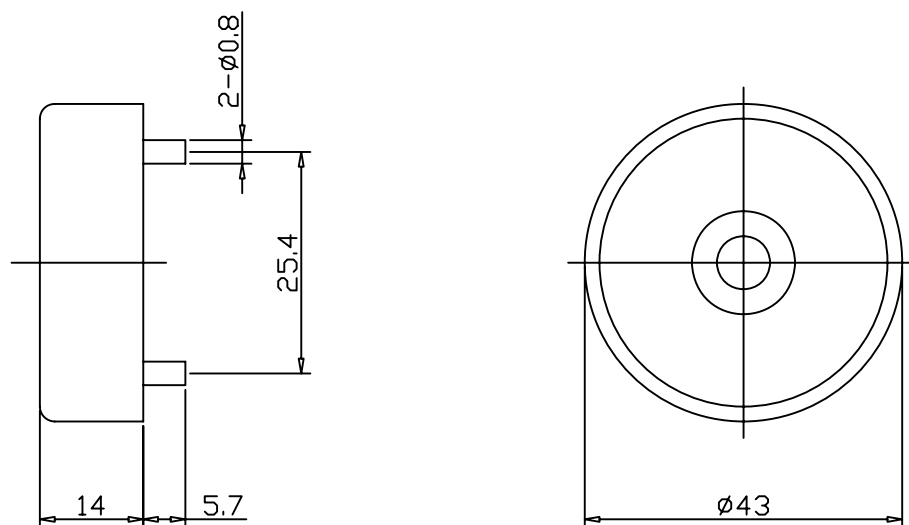
Test condition

TEMP. =25°C

Item	Unit	Specification
Rated Voltage	VDC	12
Operating Voltage	VDC	3-20
*Rated Current (MAX.)	mA	12
*Sound Output at 30cm (Min.)	dB	100
*Rated Frequency	Hz	2800±500
Pin Material	Red Copper	
Operating Temperature	°C	-20 - +60
Storage Temperature	°C	-30 - +70
Housing Material	ABS	
Weight	g	12
Tone Nature	Single	
*Value Applying at Rated Voltage.		

3. APPEARANCE DRAWING

Unit:mm Tolerance:±0.5mm

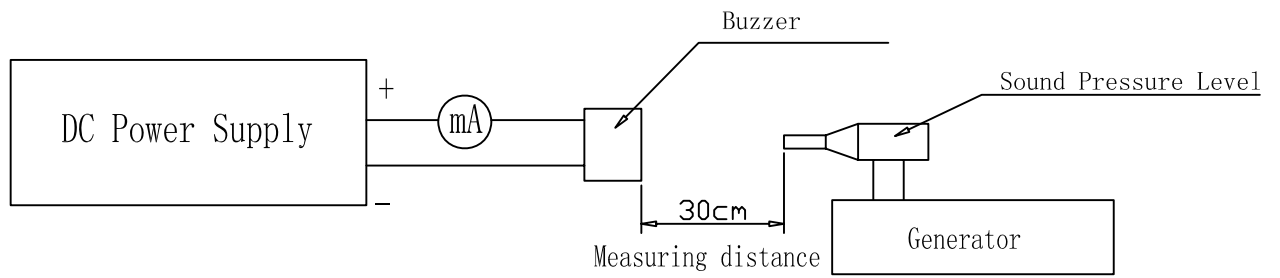


Wave solder and wash not allowed.

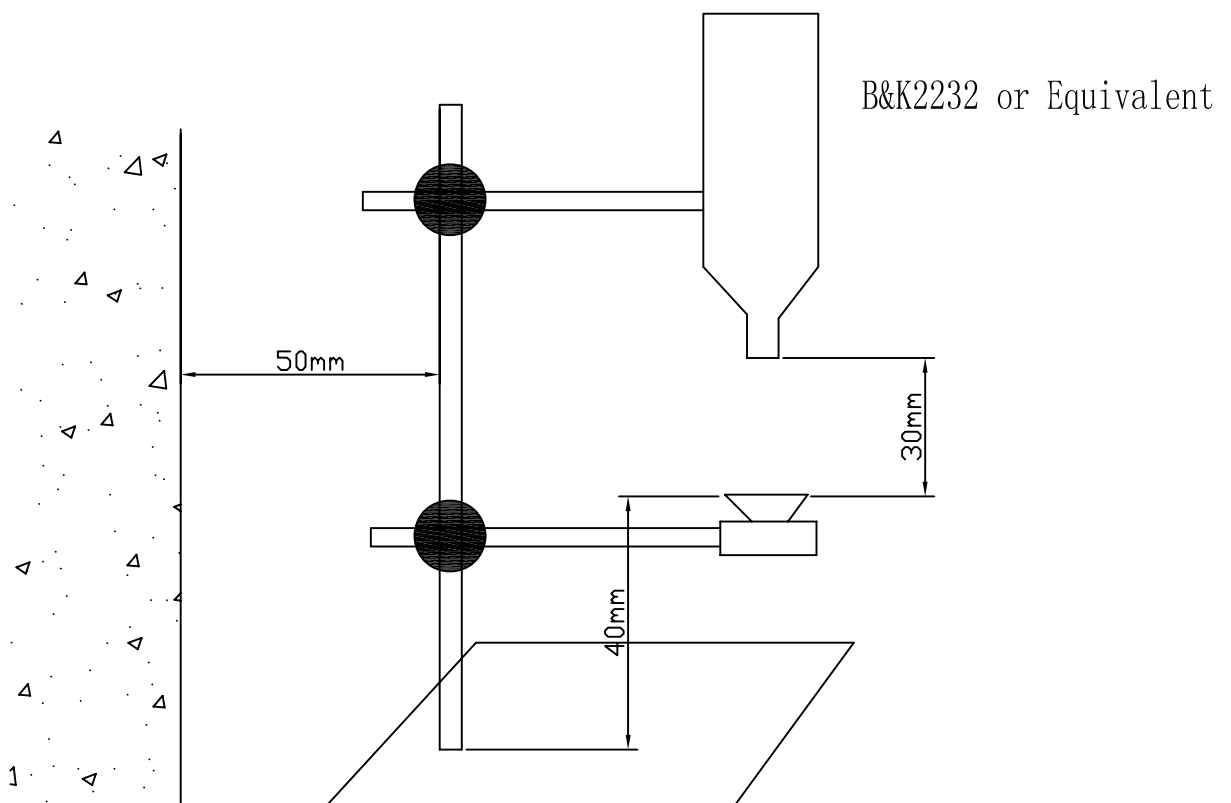


NingBo KLS ELECTRONIC CO.,LTD.

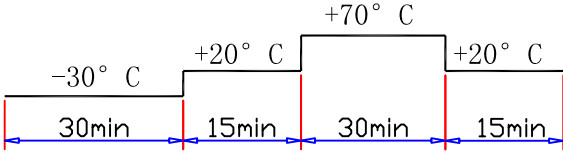
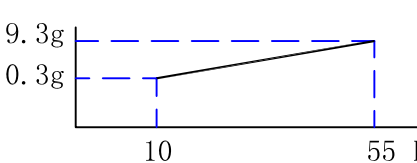
4. MEASURING MENTHOD



5. INSPECTION FIXTURE



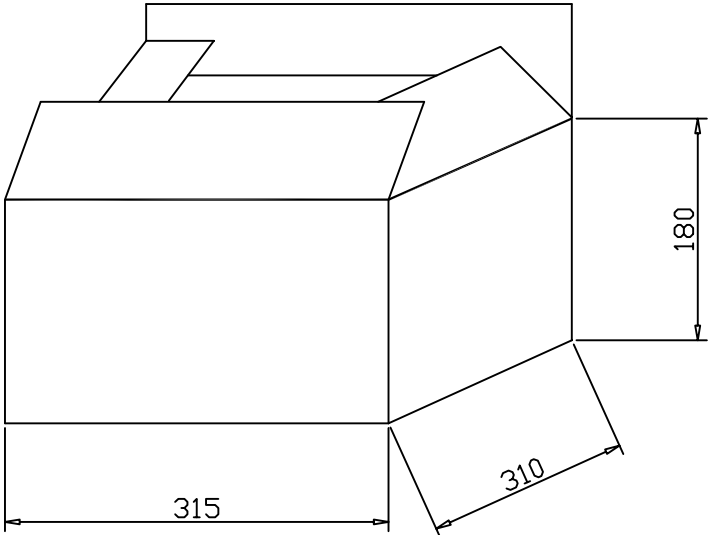
5. RELIABILITY TEST

ITEM	TEST CONDITION	STANDARD
Storage in high temp.	Storage in $+80\pm 2^{\circ}\text{C}$ test box for 240 hours, then expose to the room temperature for 2 hours without applying power.	
Storage in low temp.	Storage in $-30\pm 2^{\circ}\text{C}$ test box for 240hours, then expose to the room temperature for 2 hours without applying power.	
Storage in humidity	Storage in $+40\pm 2^{\circ}\text{C}$ 90-95%RH test box for 48 hours, then expose to the room temperature for 2 hours without applying power.	
Temperature cycle test	 <p>Make this test for 5 cycle without applying power, then expose to the room temperature for 2 hours</p>	After test The value of frequency/ current/SPL should be meet specifications
Vibration test	 <p>Amplitude:1.5mm Time :1min/axis</p> <p>Make this test for the directions of X,Y,Z for 2 hours each (total 6 hours).</p>	
Drop test	Drop from the height of 70cm to the surface of 10mm thick woodenboard. three directions(X, Y, Z).	
Solderability test	Soldering temp. : $260\pm 5^{\circ}\text{C}$. Heat applying time: $3\pm 0.5\text{sec}$.	90%min. terminals shall be wet with solder
Pin Strength Pulling	The force 10 seconds of 9.8N is applied to each Pin in axial direction	No damage and cutting off

6. PACKING



$7 \times 7 \text{PCS} = 49 \text{PCS/box}$



294PCS/CTN

