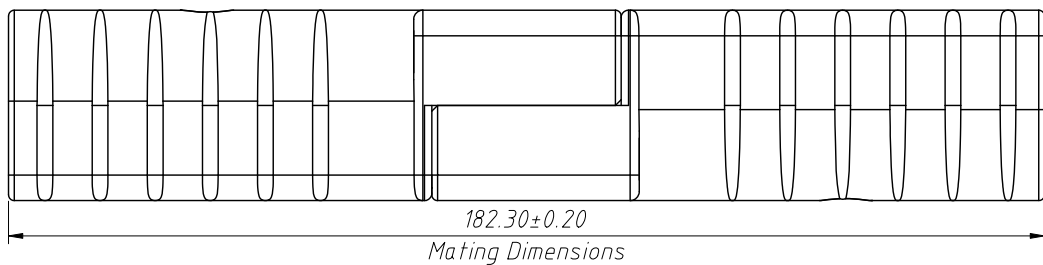
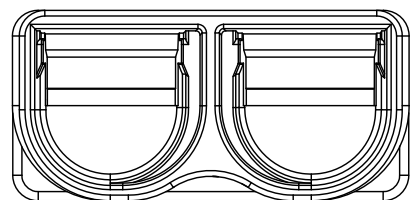
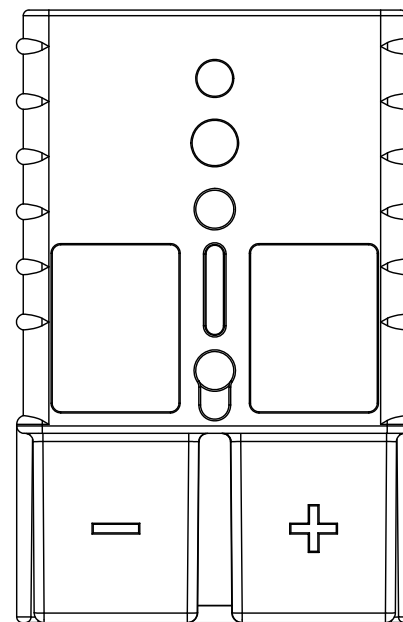
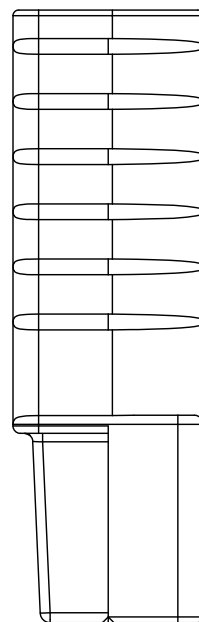
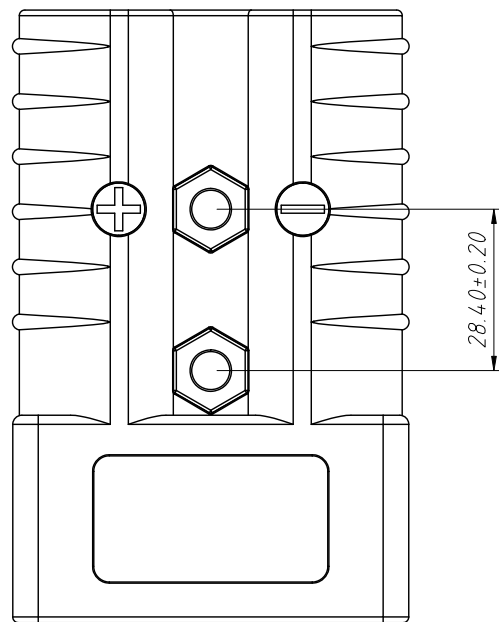
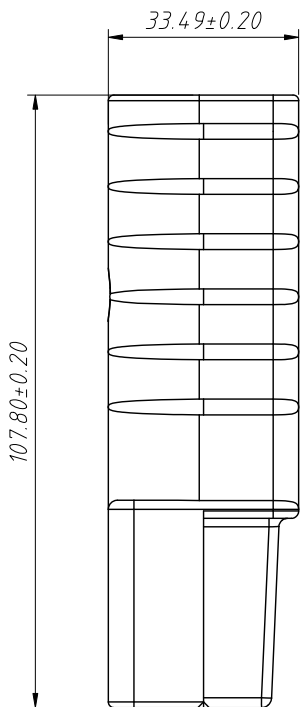
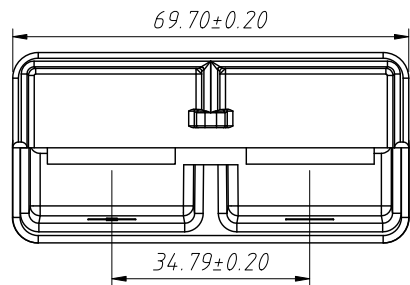


1 RoHS Compliance



Material:
Housing:PC,UL 94 V-0
Color: Grey,Blue,Black,Red
Yellow,Orange,Green

Electrical Characteristics:
Rated Current:350A
Rated Voltage:600V

Applicable Terminal:
L-KLS1-XT350-T
L-KLS1-XT350-T1
L-KLS1-XT350-T2
L-KLS1-XT350-T3

Order Information:
L-KLS1-XT350-H-R

L: RoHS
XT Series
Type:H-Housing
Color:
R-Red,GY-Grey,L-Blue,G-Green
B-Black,Y-Yellow,OR-Orange

ANGLE TOLERANCE	PROJECTION	Description:
±3°		Powerpole Housing 2 Pole 350 Amp
GENERAL TOLERANCE	UNITS	mm
x.x ±0.30	SHEET SIZE	A4
x.xx ±0.20	Draw:	Daniel 2022-04-02
x.xxx ±0.10	Check:	Daniel 2022-04-02
		KLS P/N: L-KLS1-XT350-H-R



NingBo KLS ELECTRONIC CO.,L TD.