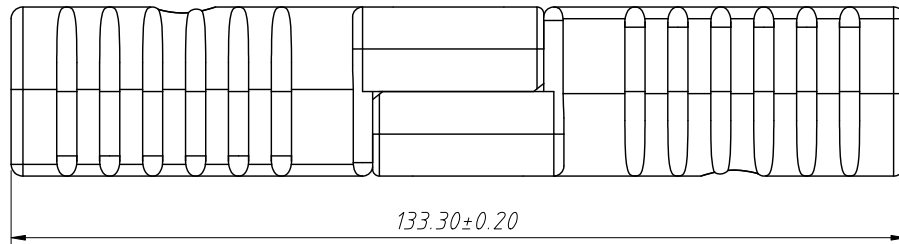
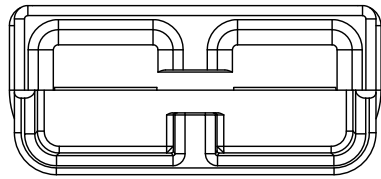
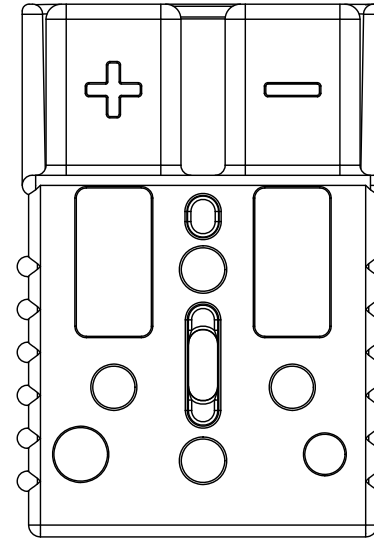
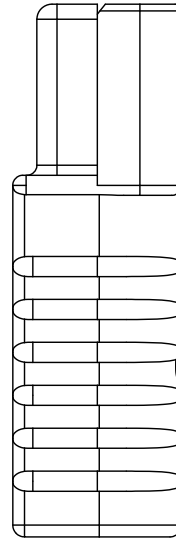
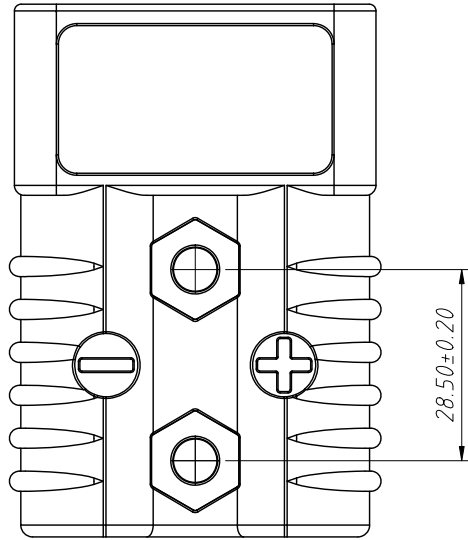
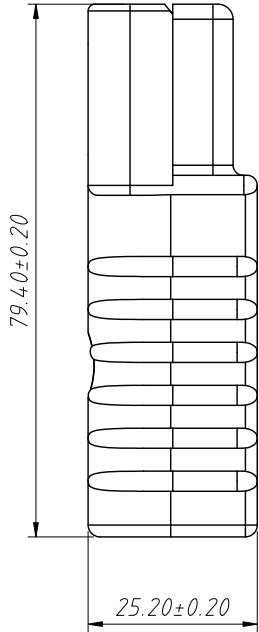
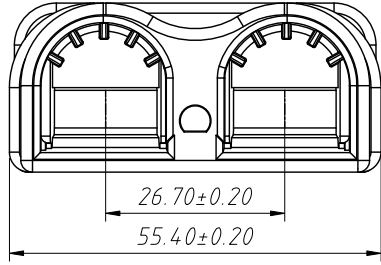


1 RoHS Compliance



Mating Dimensions

Material:
Housing:PC,UL 94 V-0
Color: Grey,Blue,Orange
Yellow,Red,Grey

Electrical Characteristics:
Rated Current:175A
Rated Voltage:600V

Applicable Terminal:
L-KLS1-XT175-TA
L-KLS1-XT175-T1A
L-KLS1-XT175-T2A

Order Information:
L-KLS1-XT175-H-R
L: RoHS
XT Series
Type:H-Housing
Color:
R-Red,GY-Grey,L-Blue
Y-Yellow,OR-Orange,B-Black

ANGLE TOLERANCE	PROJECTION	Description:	Powerpole Housing 2 Pole 175 Amp	
±3°				
GENERAL TOLERANCE	UNITS	mm	KLS P/N:	L-KLS1-XT175-H-R
x.x ±0.30	SHEET SIZE	A4		
x.xx ±0.20	Draw:	Daniel	2022-04-02	
x.xxx ±0.10	Check:	Daniel	2022-04-02	

NingBo KLS ELECTRONIC CO.,L.TD.