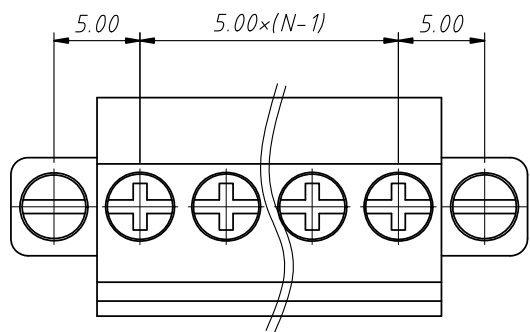


SECTION: A-A



Material
Housing: PA66, UL94V-0
Cage: Brass, Ni plated
Clamp: Phosphor bronze, Ni plated
Screws: M3.0, Steel, Zn plated

Electrical
Rated voltage: 300V
Rated current: 15A
Contact Resistance: 20 mΩ
Insulation resistance: 500MΩ/DC500V
Withstand voltage: AC2000V / 1 min
Wire Range: 28 ~ 14AWG 1.5mm²

Mechanical
Temp. Range: -40 °C ~ +105 °C
Strip length: 7 ~ 8mm
Torque: 0.5Nm(4.5Lbin)

Order Information

L-KLS2-EDKAM-5.00-XXP-4S00

RoHS
Terminal Block
Pitch
No.: of Pole
Color: 4- Green
Screw: S-Slot Screw C-Cross Screw
Product Code: 00 ~ 99

GENERAL TOLERANCE		ANGLE TOLERANCE		Description:	
X. ±0.60	.X ±0.38	.XX ±0.25	X. ±5° .X ±3° .XX ±2°	Pluggable Terminal Block 5.00 MM	
Draw by	2015-09-01	PROJECTION		KLS P/N:	KLS2-EDKAM-5.00-XXP-4S-00
Check by	2015-09-15	UNITS	mm		NingBo KLS ELECTRONIC CO.,L TD.
SCALE		SHEET SIZE	A4		