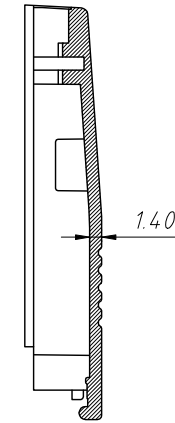
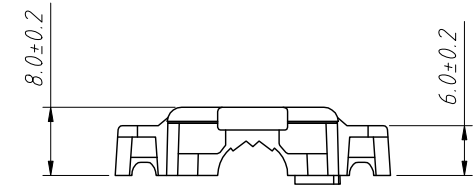
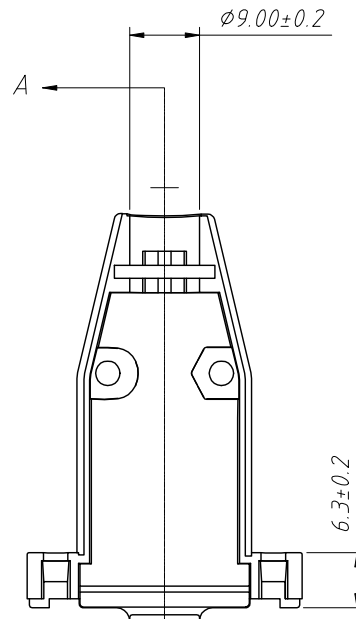
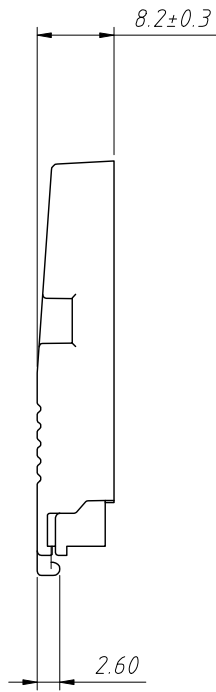
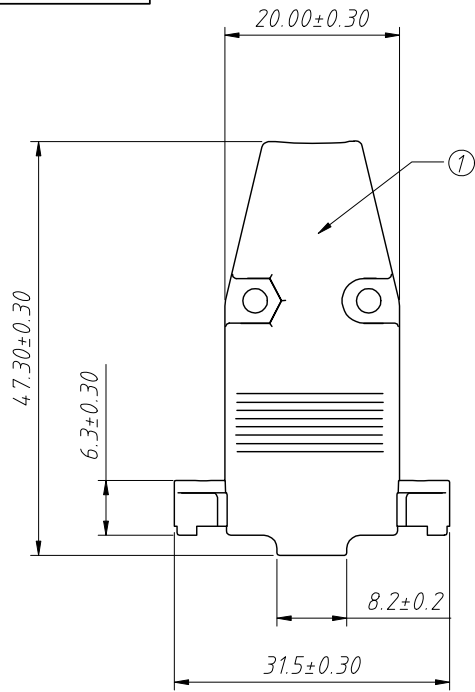
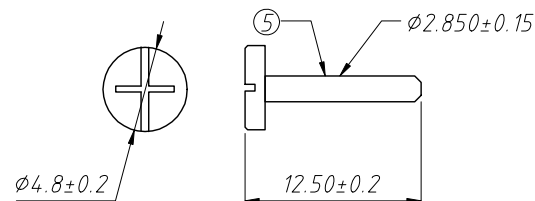
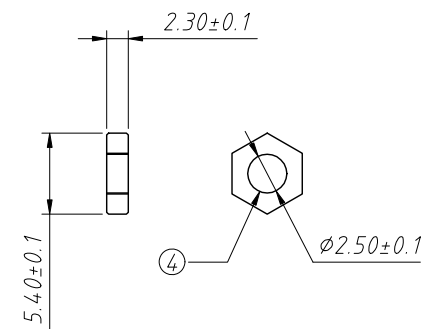
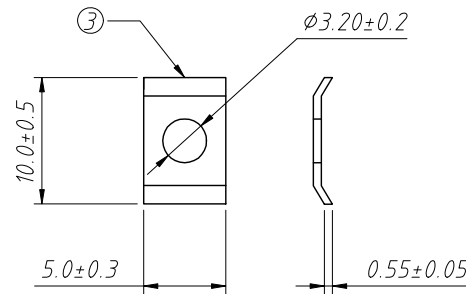
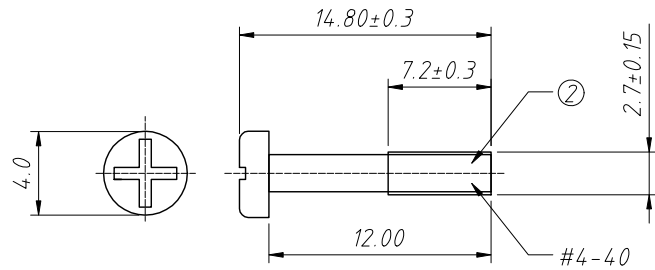


RoHS Compliance



Section A-A



Material:

1.Housing: Zinc alloy, Trivalent chromium plating, Ø9.00mm

2.Screw: Iron, Nickel plated,
#4-40 UNC, L=14.80mm

3.Square gaskets: Iron, Nickel plated,
Thickness 0.55mm

4.Screw Cap: Iron, Nickel plated

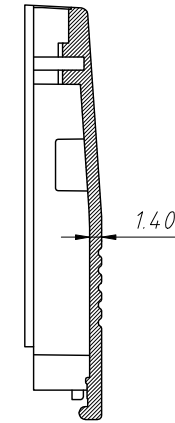
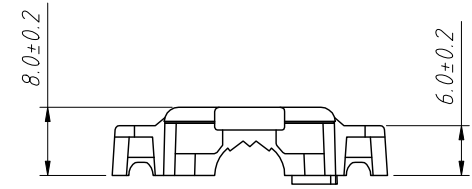
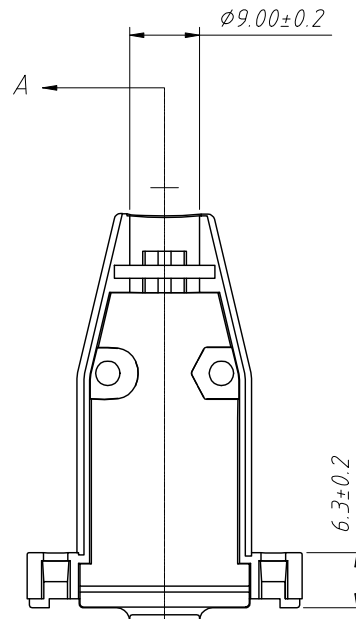
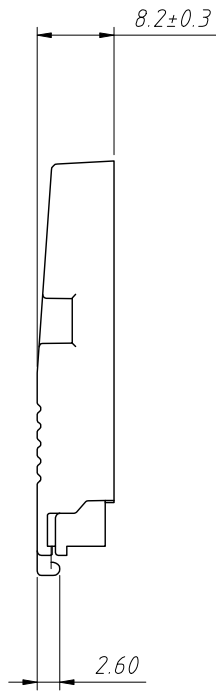
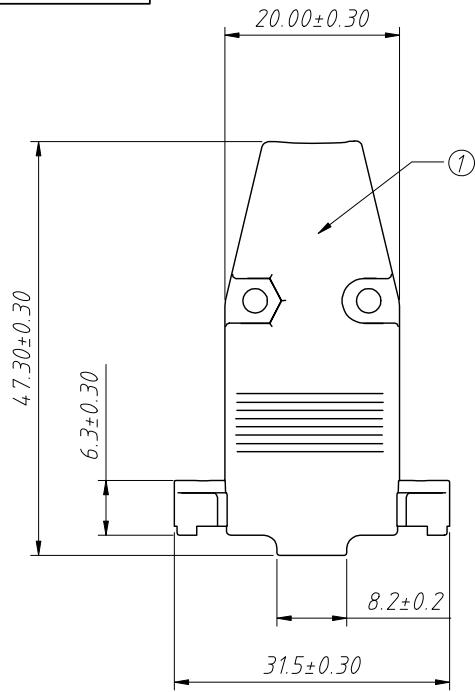
5.M3.0×12.5mm Screw: Iron, Nickel plated

ANGLE TOLERANCE	PROJECTION	Description:	
±3°		D-SUB Metal Hood ,09 Pin, Short screw	
GENERAL TOLERANCE	UNITS	mm	KLS P/N:
x.x ±0.30	SHEET SIZE	A4	L-KLS1-DBF-09P-S
x.xx ±0.20	Draw:	Daniel	2022-04-20
x.xxx ±0.10	Check:	Daniel	2022-04-20

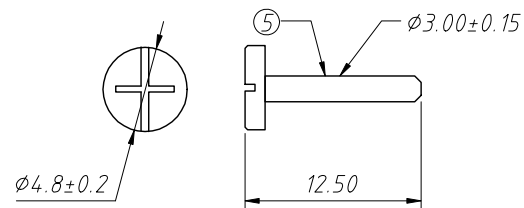
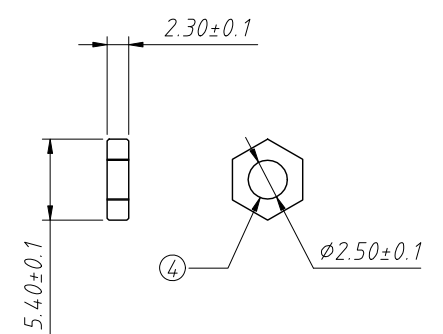
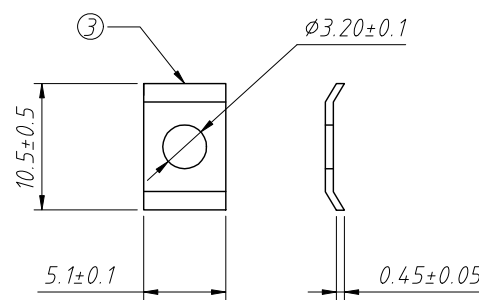
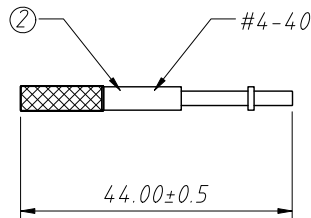


NingBo KLS ELECTRONIC CO.,L.TD.

RoHS Compliance



Section A-A



Material:

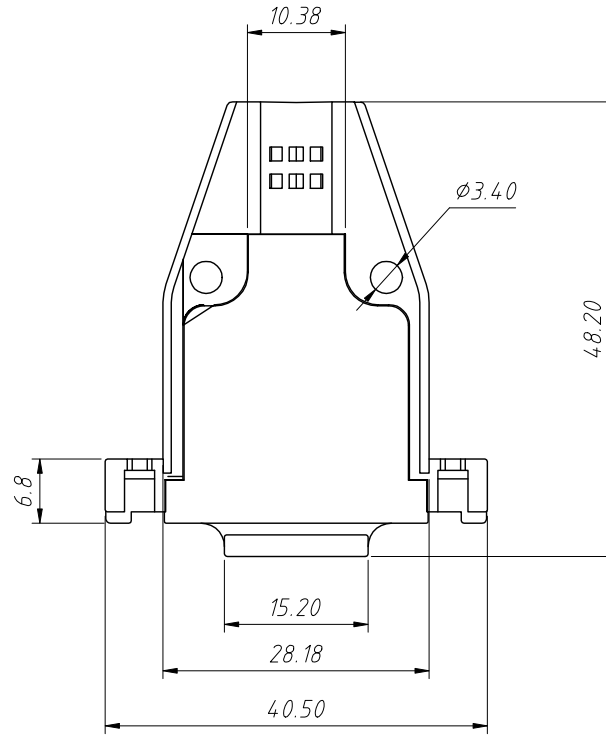
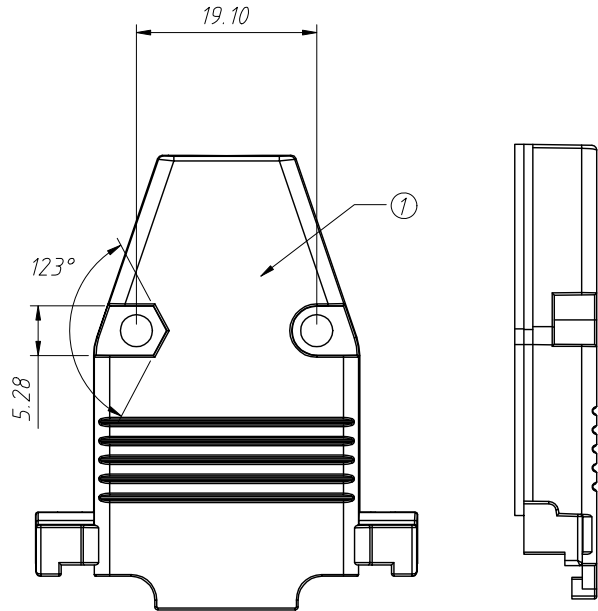
- 1.Housing: Zinc alloy, Trivalent chromium plating
- 2.4×44mm Screw: #4-40 UNC, Iron, Nickel plated.
- 3.Square gaskets: Iron, Nickel plated, Thickness 0.45mm
- 4. Screw Cap: M3.0 Iron, Nickel plated.
- 5.M3.0×12.5mm Screw: Iron, Nickel plated

ANGLE TOLERANCE	PROJECTION	Description:
±3°		D-SUB Metal Hood ,09 Pin, Long screw
GENERAL TOLERANCE	UNITS	mm
x.x ±0.30	SHEET SIZE	A4
x.xx ±0.20	Draw:	Daniel 2022-04-20
x.xxx ±0.10	Check:	Daniel 2022-04-20



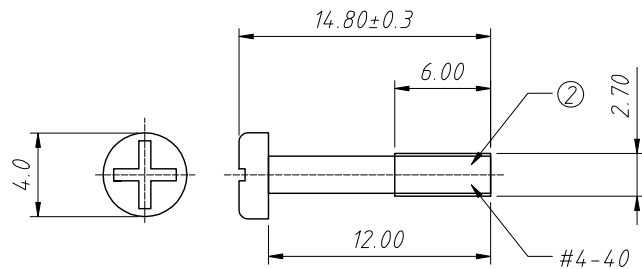
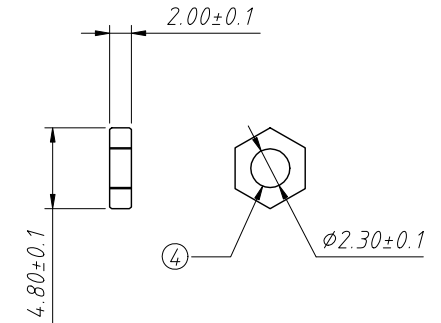
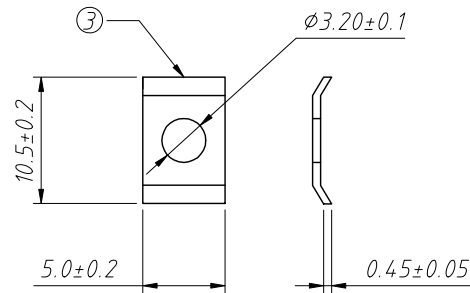
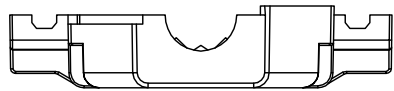
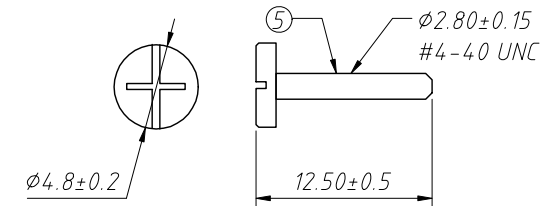
NingBo KLS ELECTRONIC CO.,L TD.

RoHS Compliance



Material:

- 1.Housing:Zinc alloy,Trivalent chromium plating
- 2.Screw:Iron, Nickel plated,#4-40 UNC,L=14.80mm
- 3.Square gaskets:Iron,Nickel plated,Thickness 0.45mm
- 4.4# Screw Cap:4-40 Iron UNC,Nickel plated
- 5.#4x12.5mm Screw:4-40 UNC Iron,Nickel plated
- 6.Unnoted tolerance: ± 0.3 mm

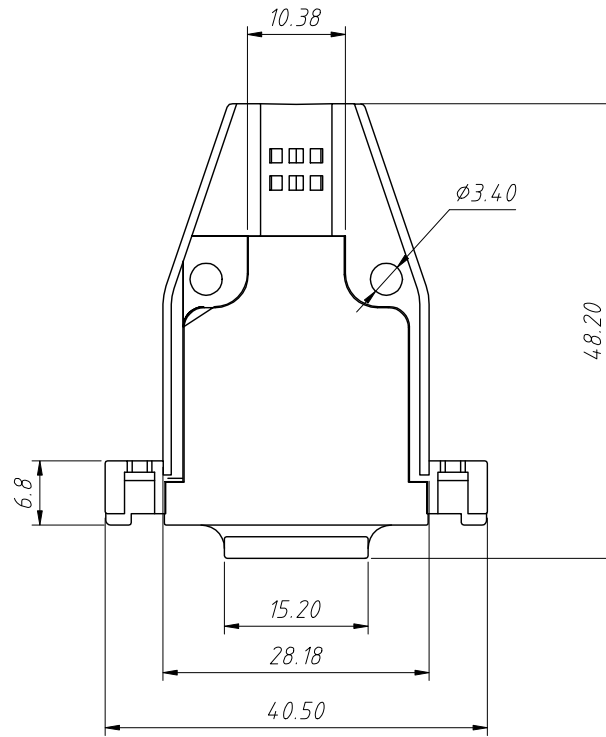
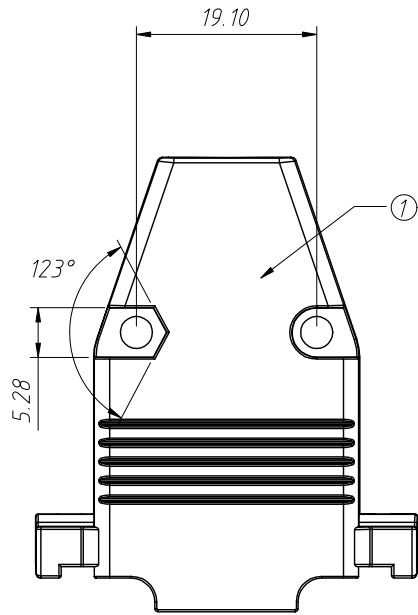


ANGLE TOLERANCE	PROJECTION	Description:	
$\pm 3^\circ$		D-SUB Metal Hood ,15 Pin,Short screw	
GENERAL TOLERANCE	UNITS	mm	KLS P/N:
x.x ± 0.30	SHEET SIZE	A4	L-KLS1-DBF-15P-S
x.xx ± 0.20	Draw:	Daniel	2022-04-20
x.xxx ± 0.10	Check:	Daniel	2022-04-20



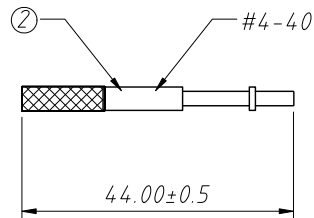
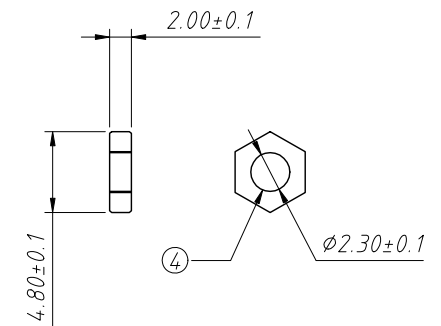
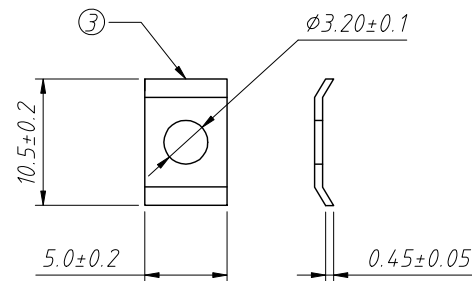
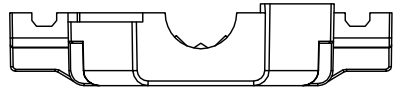
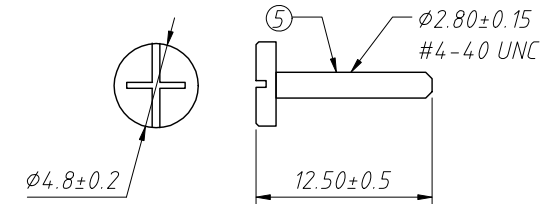
NingBo KLS ELECTRONIC CO.,L.TD.

1 RoHS Compliance



Material:

- 1.Housing: Zinc alloy, Trivalent chromium plating
- 2.4x4mm Screw: #4-40 UNC, Iron, Nickel plated.
- 3.Square gaskets: Iron, Nickel plated, Thickness 0.45mm
- 4.4# Screw Cap: 4-40 Iron UNC, Nickel plated
- 5.#4x12.5mm Screw: 4-40 UNC Iron, Nickel plated
- 6.Unnoted tolerance: $\pm 0.3\text{mm}$

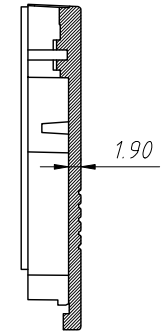
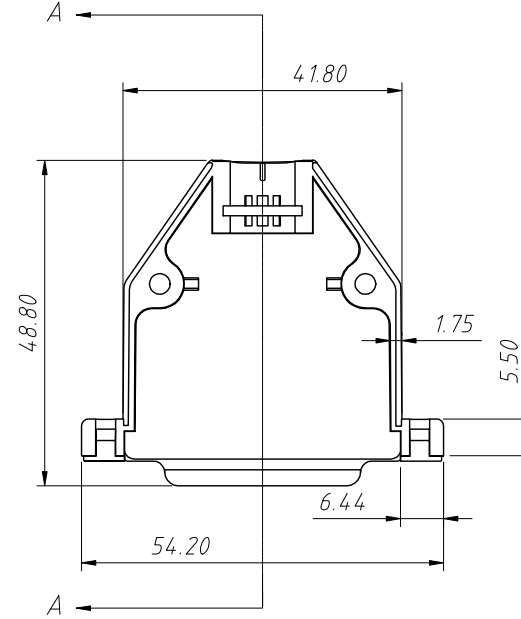
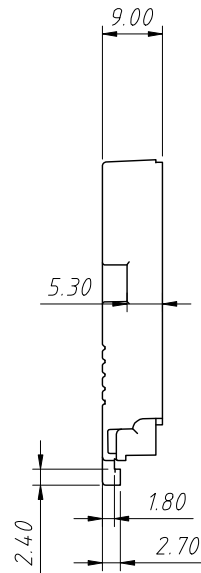
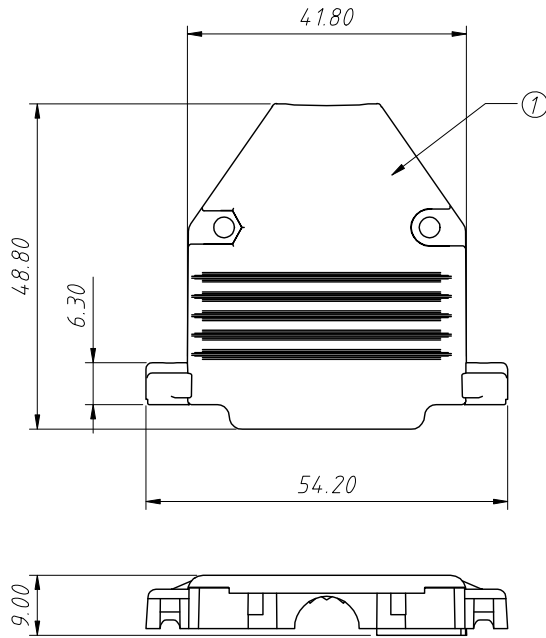


ANGLE TOLERANCE	PROJECTION	Description:	
$\pm 3^\circ$		D-SUB Metal Hood , 15 Pin, Long screw	
GENERAL TOLERANCE	UNITS	mm	KLS P/N:
x.x ± 0.30	SHEET SIZE	A4	L-KLS1-DBF-15P-L
x.xx ± 0.20	Draw:	Daniel	2022-04-20
x.xxx ± 0.10	Check:	Daniel	2022-04-20

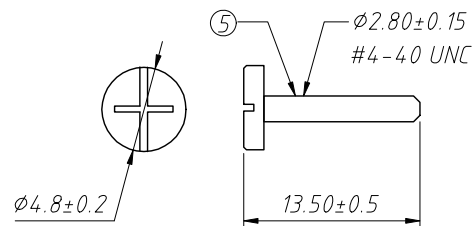
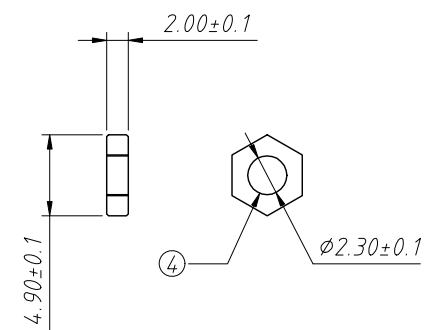
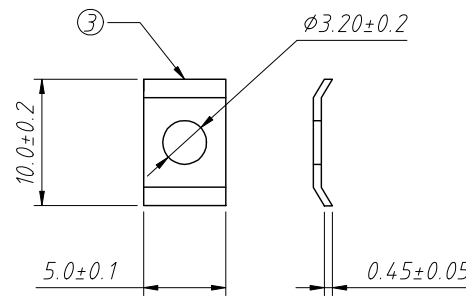
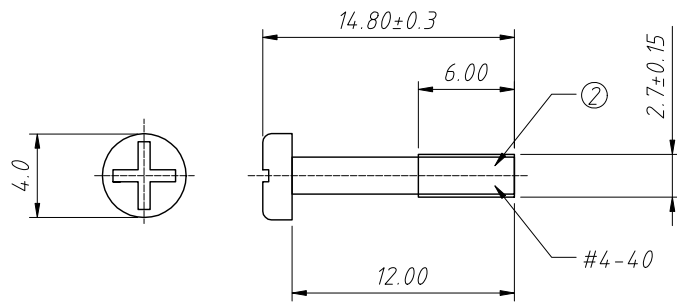


NingBo KLS ELECTRONIC CO.,L TD.

RoHS Compliance



Section A-A



Material:

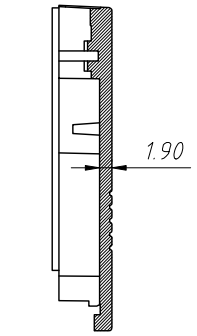
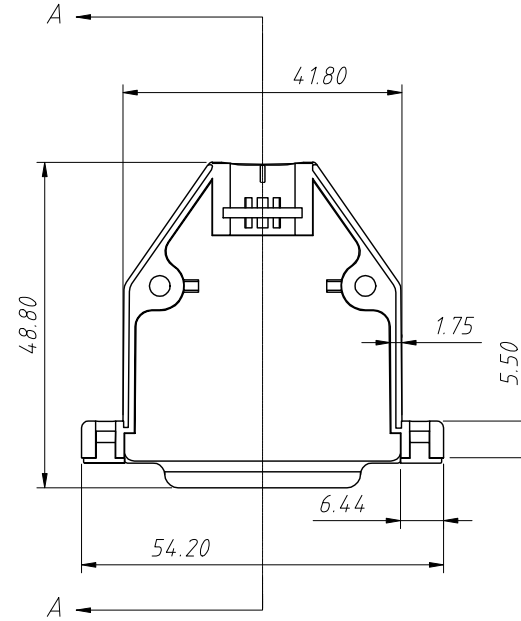
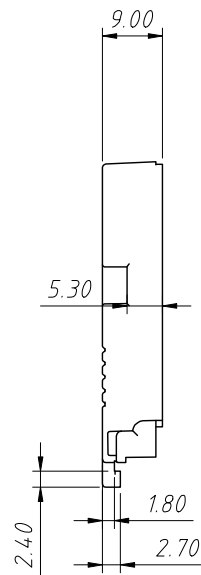
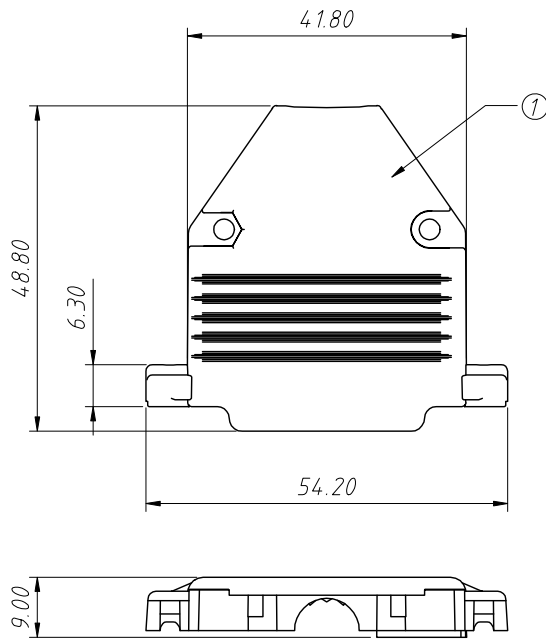
- 1.Housing: Zinc alloy, Trivalent chromium plating
- 2.#4-40 UNC Screw: Iron, Nickel plated
- 3.Square gaskets: Iron, Nickel plated
- 4.#4-40 UNC Screw Cap: Iron, Nickel plated
- 5.#4×13.5mm Screw: Iron, Nickel plated
- 6.Unnoted tolerance: ±0.3mm

ANGLE TOLERANCE	PROJECTION	Description:
±3°		D-SUB Metal Hood ,25 Pin, Short screw
GENERAL TOLERANCE	UNITS	mm
x.x ±0.30	SHEET SIZE	A4
x.xx ±0.20	Draw:	Daniel 2022-04-20
x.xxx ±0.10	Check:	Daniel 2022-04-20

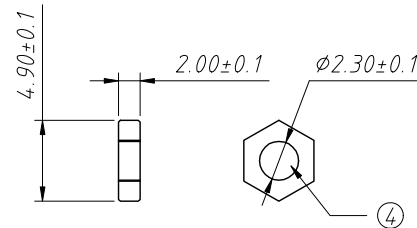
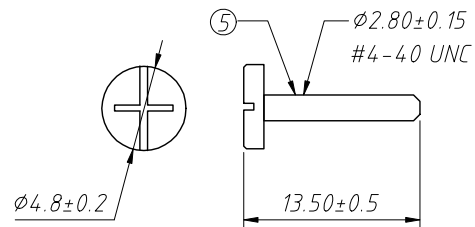
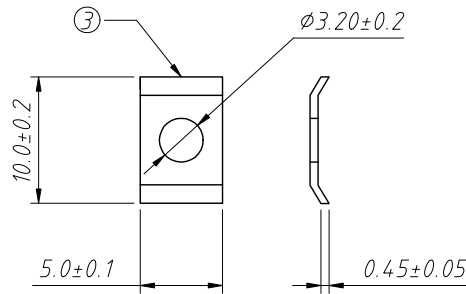
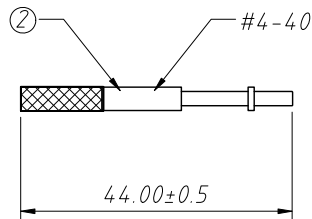


NingBo KLS ELECTRONIC CO.,LTD.

RoHS Compliance



Section A-A



Material:

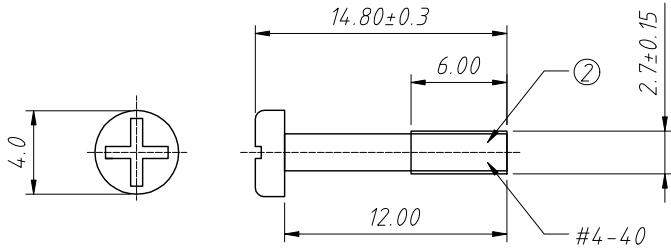
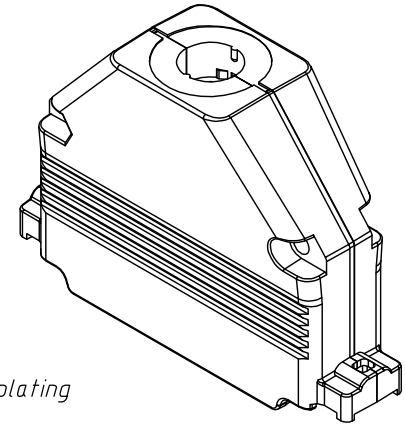
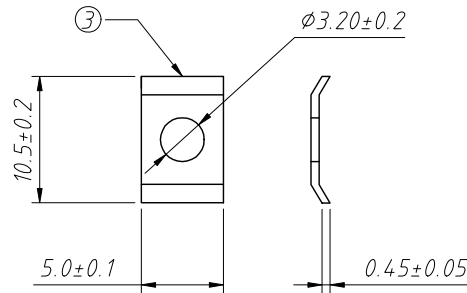
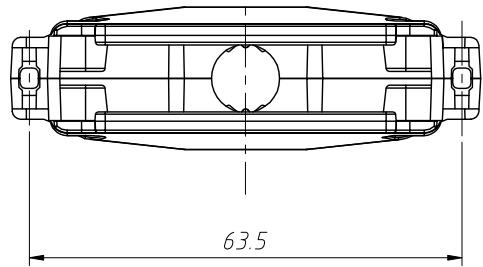
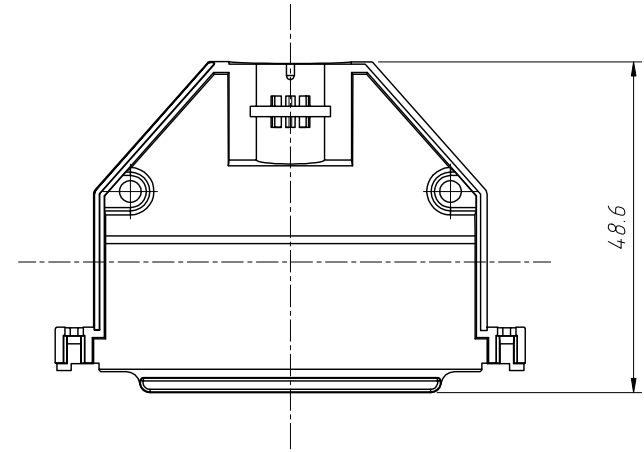
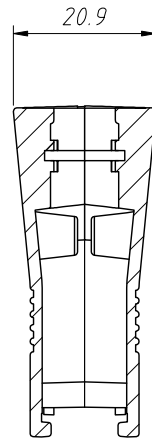
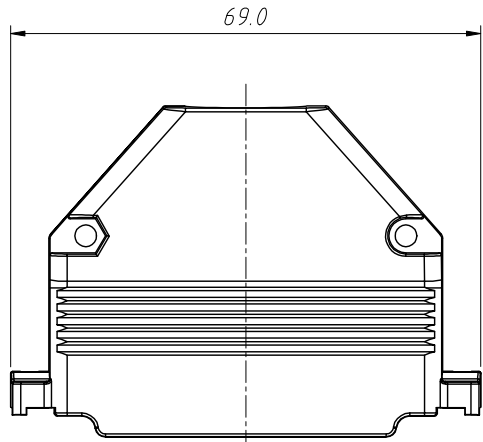
- 1.Housing:Zinc alloy, Trivalent chromium plating
- 2.4x4mm UNC Screw:Iron,Nickel plated
- 3.Square gaskets:Iron,Nickel plated
- 4.4#-40 UNC Screw Cap:Iron,Nickel plated
- 5.#4x13.5mm Screw:Iron,Nickel plated
- 6.Unnoted tolerance:±0.3mm

ANGLE TOLERANCE	PROJECTION	Description:
±3°		D-SUB Metal Hood ,25 Pin,Long screw
GENERAL TOLERANCE	UNITS	mm
x.x ±0.30	SHEET SIZE	A4
x.xx ±0.20	Draw:	Daniel 2022-04-20
x.xxx ±0.10	Check:	Daniel 2022-04-20



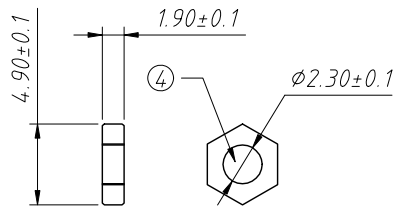
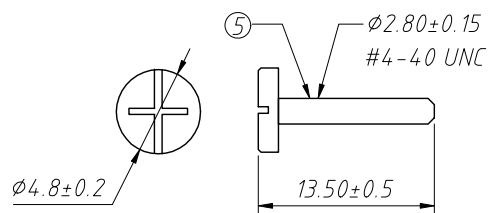
NingBo KLS ELECTRONIC CO.,L TD.

1 RoHS Compliance



Material:

- 1.Housing: Zinc alloy, Trivalent chromium plating
- 2.#4-40 UNC Screw: Iron, Nickel plated
- 3.Square gaskets: Iron, Nickel plated
- 4.#4-40 UNC Screw Cap: Iron, Nickel plated
- 5.#4×13.5mm Screw: Iron, Nickel plated
- 6.Unnoted tolerance: ±0.3mm

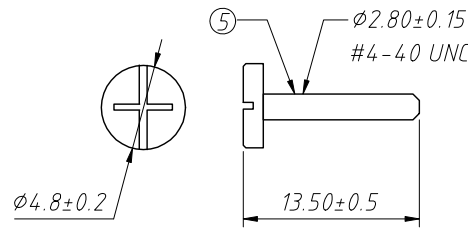
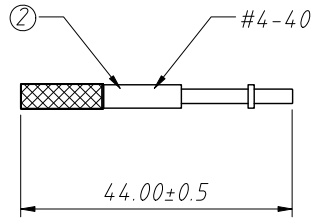
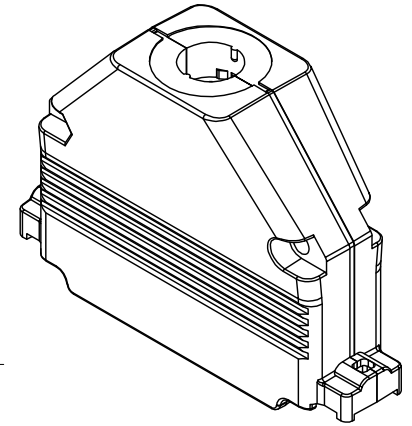
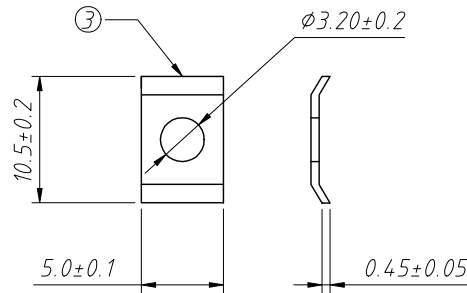
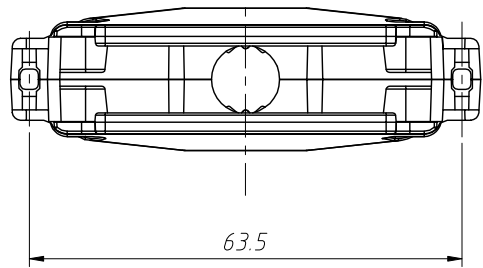
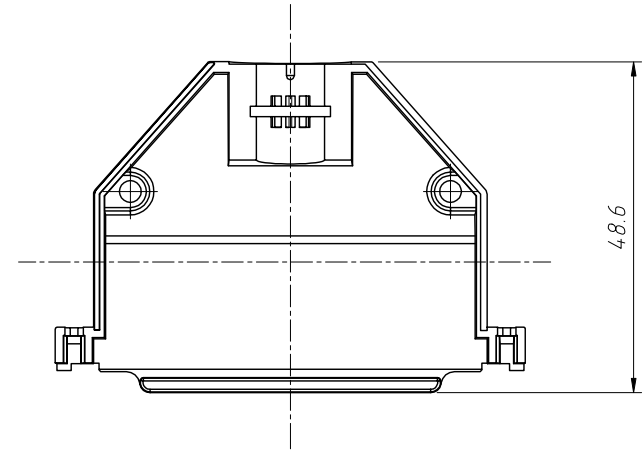
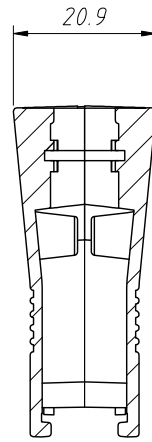
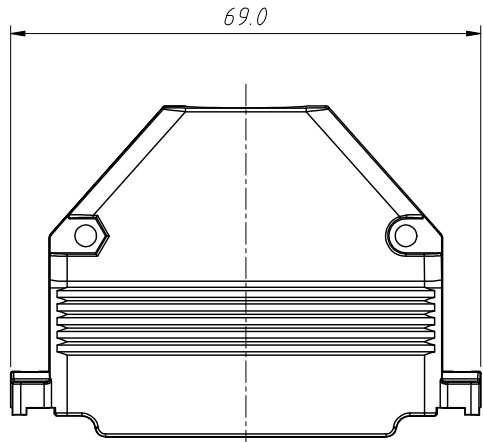


ANGLE TOLERANCE	PROJECTION	Description:	
±3°		D-SUB Metal Hood ,37 Pin, Short screw	
GENERAL TOLERANCE	UNITS	mm	KLS P/N:
x.x ±0.30	SHEET SIZE	A4	L-KLS1-DBF-37P-S
x.xx ±0.20	Draw:	Daniel	2022-04-20
x.xxx ±0.10	Check:	Daniel	2022-04-20



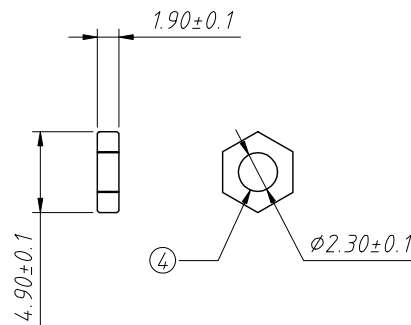
NingBo KLS ELECTRONIC CO.,L.TD.

1 RoHS Compliance



Material:

- 1.Housing: Zinc alloy, Trivalent chromium plating
- 2.4x4mm UNC Screw: Iron, Nickel plated
- 3.Square gaskets: Iron, Nickel plated
- 4.4#-40 UNC Screw Cap: Iron, Nickel plated
- 5.#4x13.5mm Screw: Iron, Nickel plated
- 6.Unnoted tolerance: $\pm 0.3\text{mm}$



ANGLE TOLERANCE	PROJECTION	Description:	
$\pm 3^\circ$		D-SUB Metal Hood ,37 Pin,Long screw	
GENERAL TOLERANCE	UNITS	mm	KLS P/N:
x.x ± 0.30	SHEET SIZE	A4	L-KLS1-DBF-37P-L
x.xx ± 0.20	Draw:	Daniel	2022-04-20
x.xxx ± 0.10	Check:	Daniel	2022-04-20



NingBo KLS ELECTRONIC CO.,L.TD.