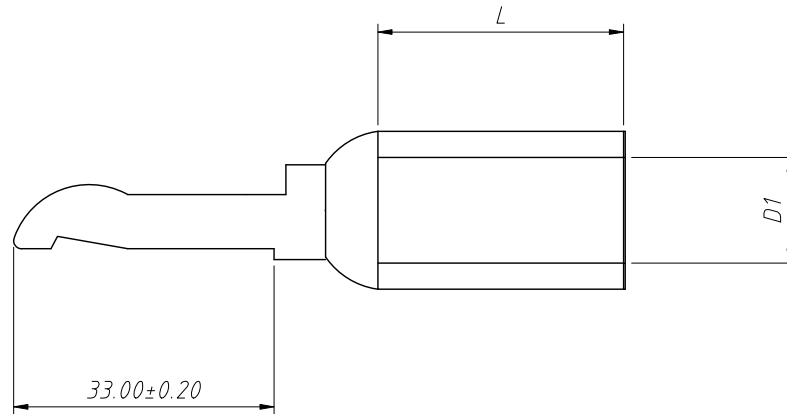
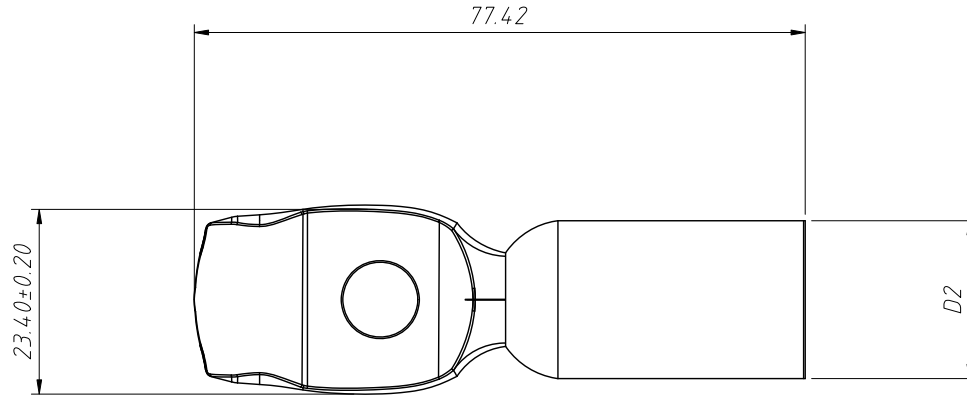


1
RoHS Compliance



Material:
Terminal: Red Copper, Silver Plated

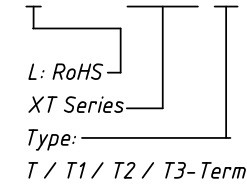
Electrical Characteristics:
Rated Current: 350A
Rated Voltage: 600V

Applicable Housing :
L-KLS1-XT350-H

Part Number	D1 (mm)	D2 (mm)	L (mm)	Wire
L-KLS1-XT350-T	16.26±0.20	19.05±0.20	32.8±0.20	0/4AWG
L-KLS1-XT350-T1	14.73±0.20	17.78±0.20	32.8±0.20	0/3AWG
L-KLS1-XT350-T2	12.45±0.20	16.26±0.20	32.8±0.20	0/2AWG
L-KLS1-XT350-T3	11.18±0.20	12.95±0.20	32.8±0.20	0/1AWG

Order Information:

L-KLS1-XT350-T



ANGLE TOLERANCE	PROJECTION	Description:	
±3°		Terminal 350A Automobile connector	
GENERAL TOLERANCE	UNITS	mm	KLS P/N:
x.x ±0.30	SHEET SIZE	A4	L-KLS1-XT350-T
x.xx ±0.20	Draw:	Daniel	2022-04-02
x.xxx ±0.10	Check:	Daniel	2022-04-02



NingBo KLS ELECTRONIC CO.,L TD.