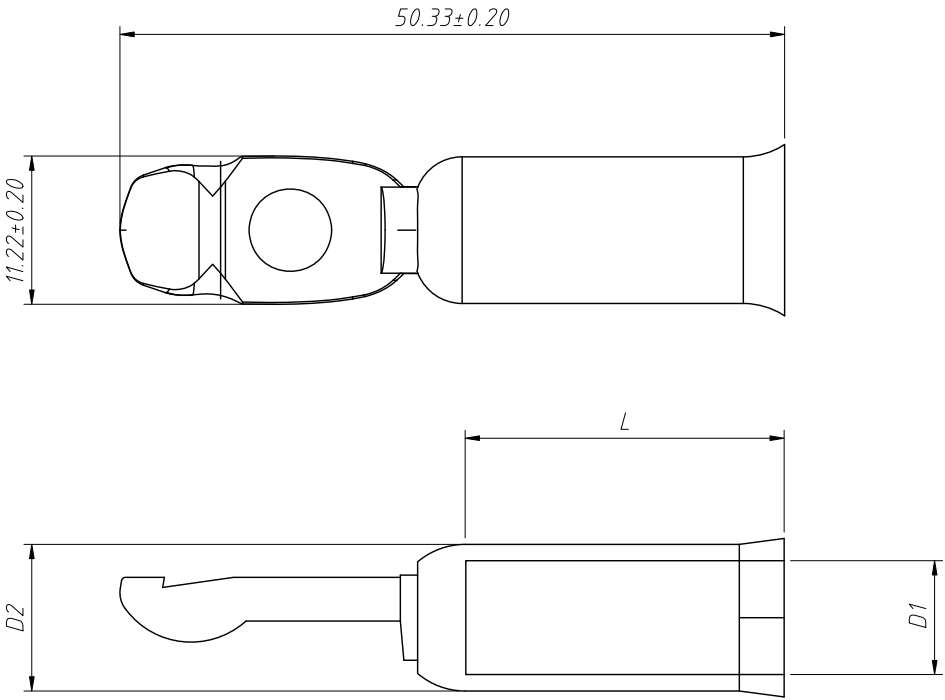


1
RoHS Compliance



Material:
Terminal: Red Copper, Silver Plated

Electrical Characteristics:
Rated Current: 120A
Rated Voltage: 600V

Applicable Housing :
L-KLS1-XD120-H
L-KLS1-XT120-H

Part Number	D1 (mm)	D2 (mm)	L (mm)	Wire
L-KLS1-XT120-T	8.70±0.20	11.00±0.20	25.00±0.20	2AWG
L-KLS1-XT120-T1	7.60±0.20	11.00±0.20	25.00±0.20	4AWG
L-KLS1-XT120-T2	5.60±0.20	11.00±0.20	25.00±0.20	6AWG

Order Information:
L-KLS1-XT120-T
L: RoHS
XD Series
Type: T / T1 / T2 - Terminal

ANGLE TOLERANCE	PROJECTION	Description:	Terminal 120A Automobile connector	
±3°				
GENERAL TOLERANCE	UNITS	mm	KLS P/N:	L-KLS1-XT120-T
x.x ±0.30	SHEET SIZE	A4		
x.xx ±0.20	Draw:	Daniel	2022-04-02	NingBo KLS ELECTRONIC CO.,L TD.
x.xxx ±0.10	Check:	Daniel	2022-04-02	