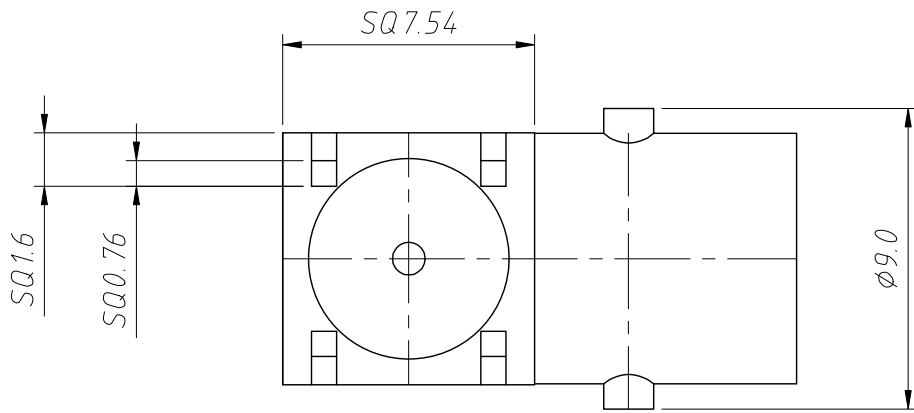


Recommended PCB Pannel



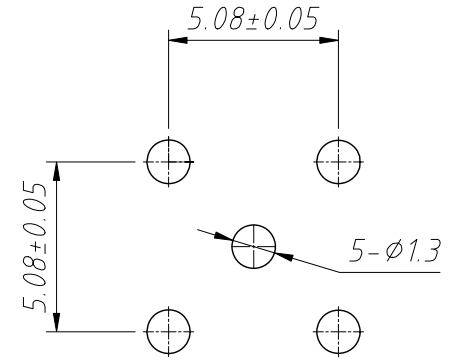
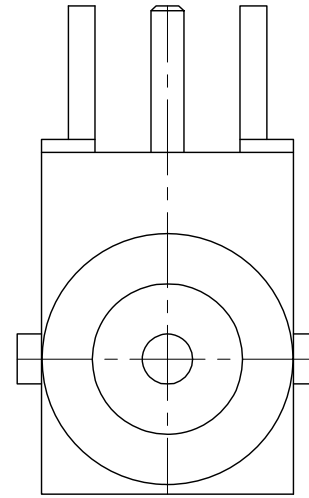
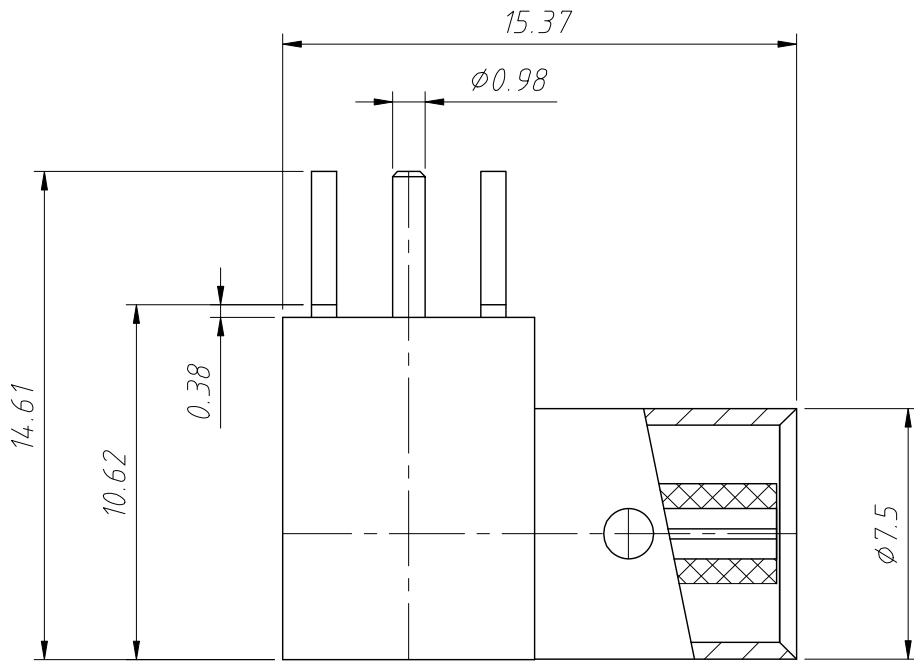
Material:

- 1.Contact:Brass
- 2.Connector Surface:Nickel plating
- 3.Conductor Pin:Gold plating

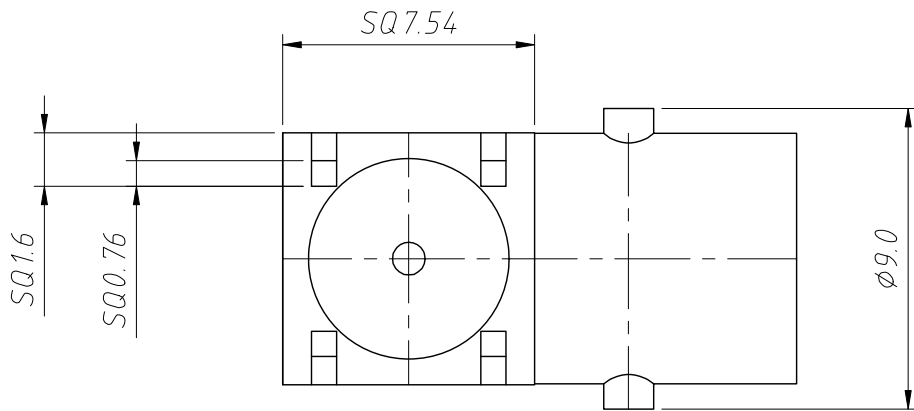
Electrical Specifications:

- 1.Mechanical Life : 500 Cycles Min
- 2.Connector Impedance:50Ω
- 3.Insulation resistance:5000MΩ Min
- 4.Dielectric Withstanding Voltage:1500 volts rms
- 5.Temperature range: -55°C To +155°C

GENERAL TOLERANCE	PROJECTION		Description:
X. ±0.50	UNITS	mm	Mini BNC connectors (Impedance 50Ω)
.X ±0.25	SCALE	4:1	
.XX ±0.10	Draw by:	Jenny	
ANGLE TOLERANCE	Check by:		KLS P/N: L-KLS1-BNC011
X. ±5°	Date	2022-04-08	NingBo KLS ELECTRONIC CO.,L TD.
.X ±3°	SHEET	1 OF 1	
.XX ±2°			



Recommended PCB Pannel



Material:

- 1.Contact:Brass
- 2.Connector Surface:Nickel plating
- 3.Conductor Pin:Gold plating

Electrical Specifications:

- 1.Mechanical Life 500 Cycles Min
- 2.Connector Impedance:75Ω
- 3.Insulation resistance:5000MΩ Min
- 4.Dielectric Withstanding Voltage:1500 volts rms
- 5.Temperature range: -55°C To +155°C

GENERAL TOLERANCE	PROJECTION		Description:
X. ±0.50	UNITS	mm	Mini BNC connectors (Impedance 75Ω)
.X ±0.25	SCALE	4:1	
.XX ±0.10	Draw by:	Jenny	
ANGLE TOLERANCE	Check by:		KLS P/N: L-KLS1-BNC011B
X. ±5°	Date	2022-04-08	NingBo KLS ELECTRONIC CO.,L TD.
.X ±3°	SHEET	1 OF 1	
.XX ±2°			