

# Connector

## D-SUB Series

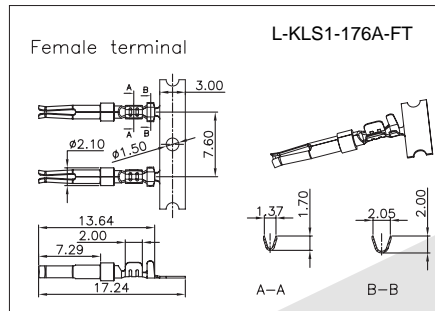
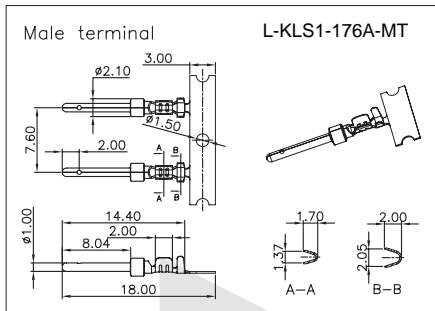
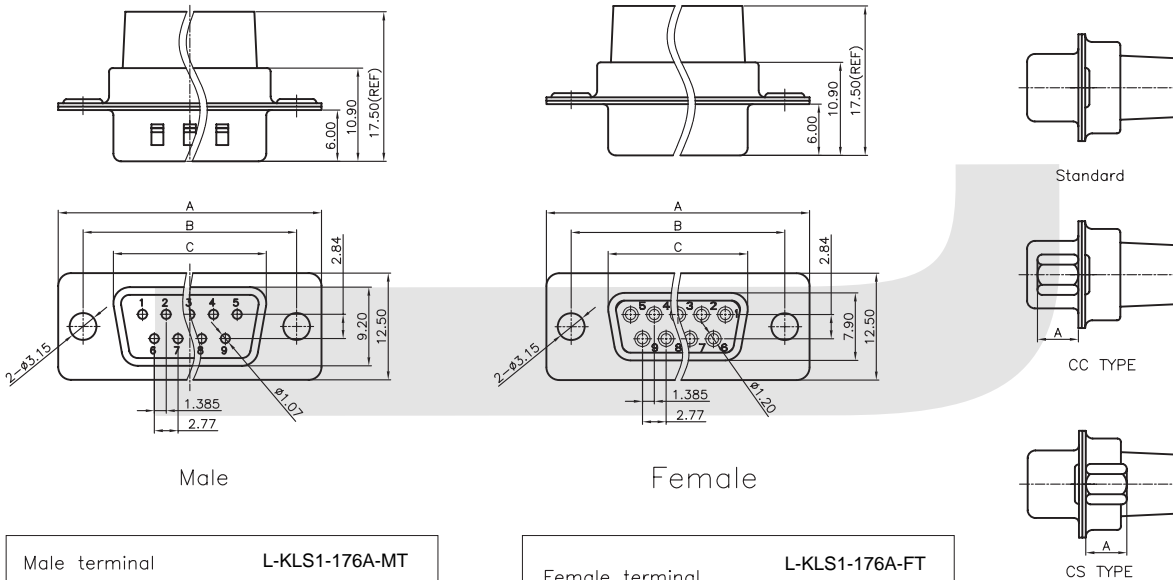
### KLS1-176A 2 ROW TYPE

#### Electrical Specification:

Current Rating: 2 AMP  
 Insulator Resistance: 1000M ohms min. at DC 500V  
 Contact Resistance: 20m ohms max. at DC 100mA  
 Operating Temperature: -20°C~+85°C  
 Application wire AWG : 20-24 AWG

#### Material:

Housing: 30% Glass filled PBT UL94V-0  
 Contacts: Phosphor Bronze  
 Shell: Steel, 100u" Tin Over 50u" min Nickel  
 Clinch Nut: Brass, 100u" min Nickel Plated  
 Screwlock: Brass, 100u" min Nickel Plated



Position	C±0.2	
	Male	Female
9P	30.80	16.33
15P	39.14	24.66
25P	53.04	38.38
37P	69.32	54.84

## ORDER INFORMATION

### Product NO.: KLS1-176A-XX -F -L

Pos. NO. \_\_\_\_\_ L=Blue B=Black  
 001=001 pos. \_\_\_\_\_  
 Contact Number of Row \_\_\_\_\_  
 176A=D-SUB 2 Row Series \_\_\_\_\_  
 Number of Contacts \_\_\_\_\_ M=Male F=Female