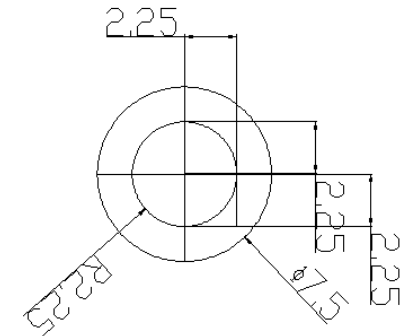
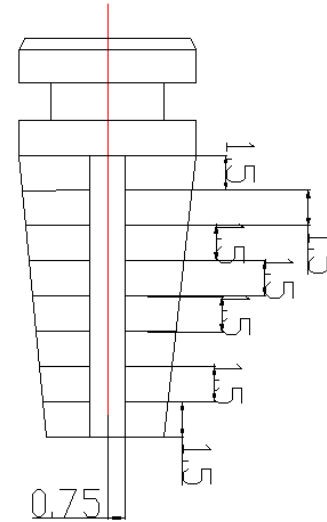
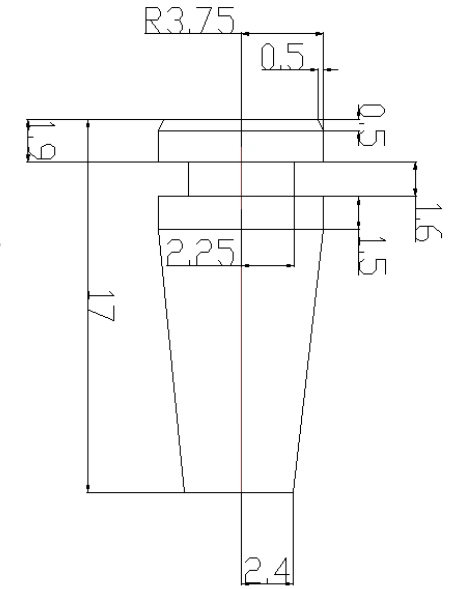
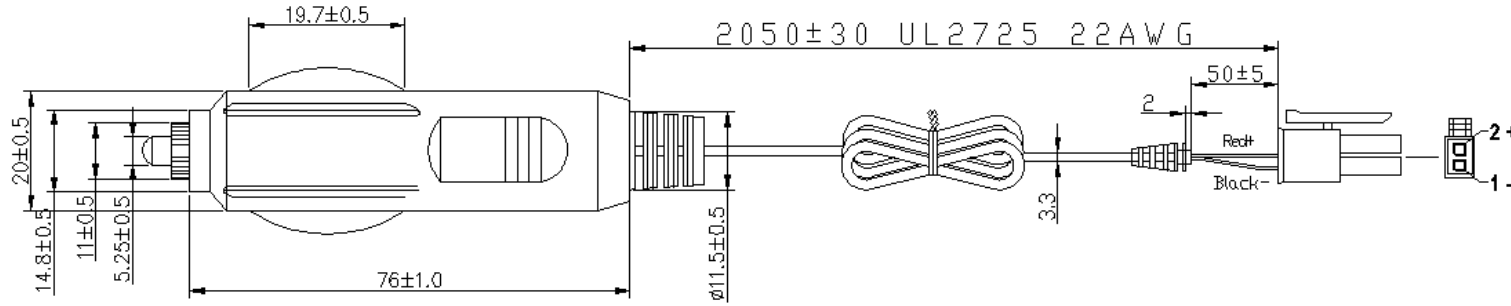


1 RoHS Compliance



1, SCOPE:

The car carry power supply the functional requirements of a 24 W max switching power supply.

2, INPUT CHARACTERISTICS:

2.1 Input Voltage:12-24 Vdc

3, OUTPUT CHARACTERISTICS:

3.1 Power output

Voltage:12Vdc ; Min. Load:0.00A ; Rated. Load:2A ; Output max power:24W

4, Environmental Requirement:

4.1 Operating Temperature: -40°C to 60°C , Full load, Normal operation.

4.2 Storage Temperature:-40°C to 80°C , With package

4.3 Relative Humidity:

25%(0°C)~75%(40°C)RH,72Hrs,Full load, Normal operating.

5, Protection Function:

5.1 Over current Protection:

Fuse: 3A.The power supply will stop working when over current occurs.

It will not recover to work until the old fuse has been replace by a new one.

6, Mechanical Requirement:

6.1 Enclosure:The power supply size: L 75×W20mm

ANGLE TOLERANCE	PROJECTION	Description:
±3°		Switching power Supply, Color: Black White
GENERAL TOLERANCE	UNITS	mm
x.x ±0.30	SHEET SIZE	A4
x.xx ±0.20	Draw:	Daniel 2020-11-11
x.xxx ±0.10	Check:	Daniel 2020-11-11
		L-KLS5-CIG-002-L2050-2P
		NingBo KLS ELECTRONIC CO.,L TD.