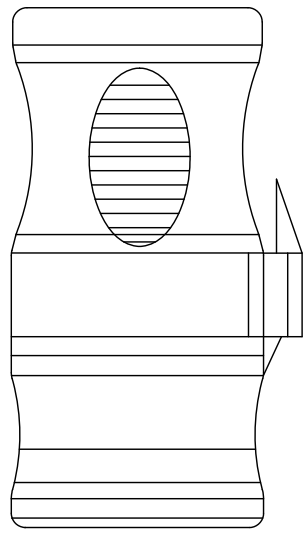
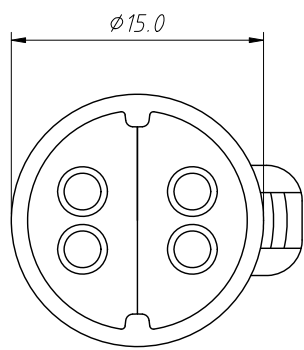
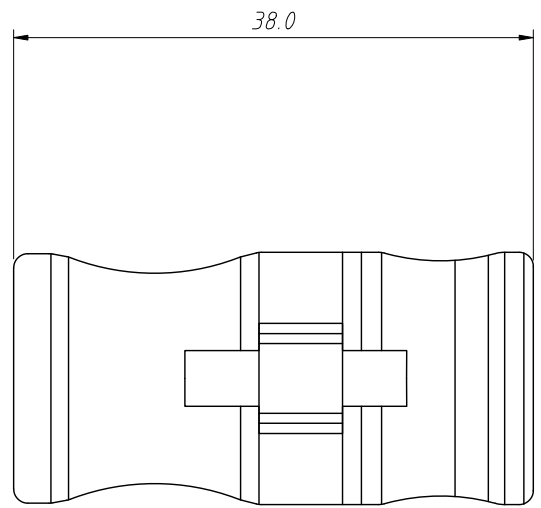


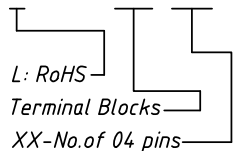
1
RoHS Compliance

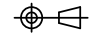


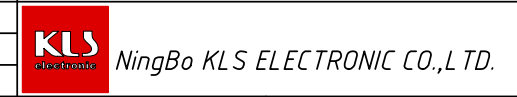
Wire Splice Connectors
Applicable wires : 28-12AWG
Temperature range : -25~95
Voltage rating : 450V
Current rating : 24A
Contact resistance: $\leq 0.015\Omega$
Insulation resistance : $\geq 1000M\Omega$

Material :
Housing : PA66/PCUL94V-2(0)
Contact : Copper, Tin plated
Spring: SUS 301



Order Information:
L-KLS2-L02-04P

L: RoHS
Terminal Blocks
XX-No.of 04 pins

ANGLE TOLERANCE	PROJECTION	Description:	
$\pm 3^\circ$		Wire Splice Connectors, For 2.5mm ² , Two in four out And three in six out	
GENERAL TOLERANCE	UNITS	mm	KLS P/N:
x.x ± 0.30	SHEET SIZE	A4	L-KLS2-L02-04P
x.xx ± 0.20	Draw:	Daniel	2021-11-05
x.xxx ± 0.10	Check:	Daniel	2021-11-05



1
RoHS Compliance

2

3

4

5

6

7

8

A

B

C

D

E

F

G

H

A

B

C

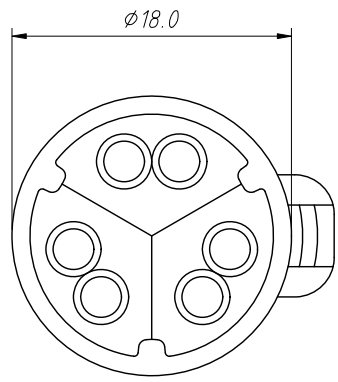
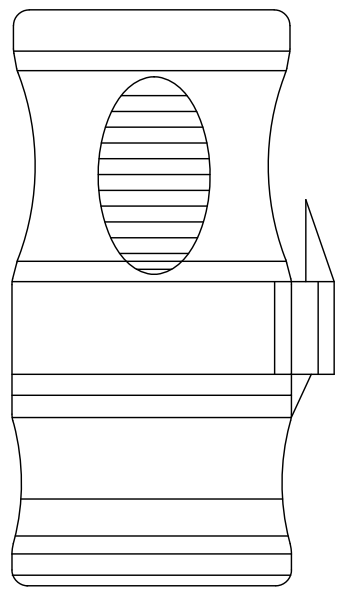
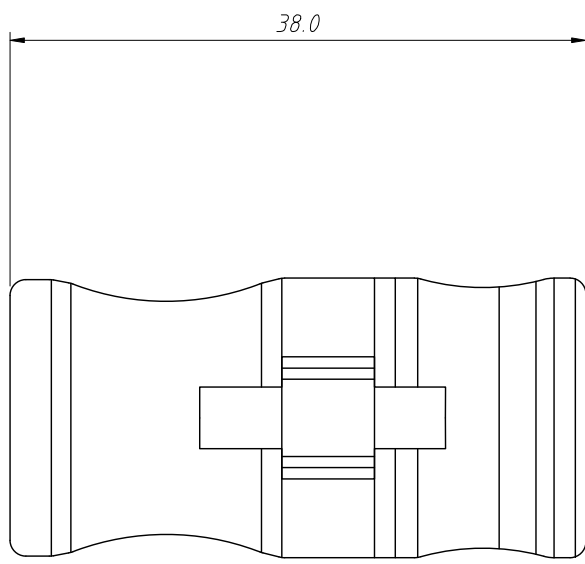
D

E

F

G

H



Wire Splice Connectors
 Applicable wires : 28-12AWG
 Temperature range : -25~95
 Voltage rating : 450V
 Current rating : 24A
 Contact resistance: $\leq 0.015\Omega$
 Insulation resistance : $\geq 1000M\Omega$

Material :
 Housing : PA66/PCUL94V-2(0)
 Contact : Copper, Tin plated
 Spring: SUS 301

Order Information:
 L-KLS2-L02-06P

 L: RoHS
 Terminal Blocks
 XX-No. of 06 pins

ANGLE TOLERANCE	PROJECTION	Description:	Wire Splice Connectors, For 2.5mm ² , Three in six out And three in six out	
$\pm 3^\circ$				
GENERAL TOLERANCE	UNITS	mm	KLS P/N:	L-KLS2-L02-06P
x.x ± 0.30	SHEET SIZE	A4		
x.xx ± 0.20	Draw:	Daniel	2021-11-05	NingBo KLS ELECTRONIC CO.,L TD.
x.xxx ± 0.10	Check:	Daniel	2021-11-05	

1

2

3

4

5

6

7

8