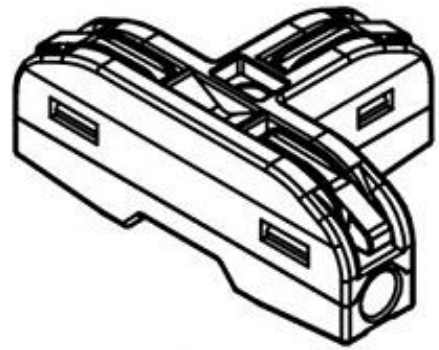
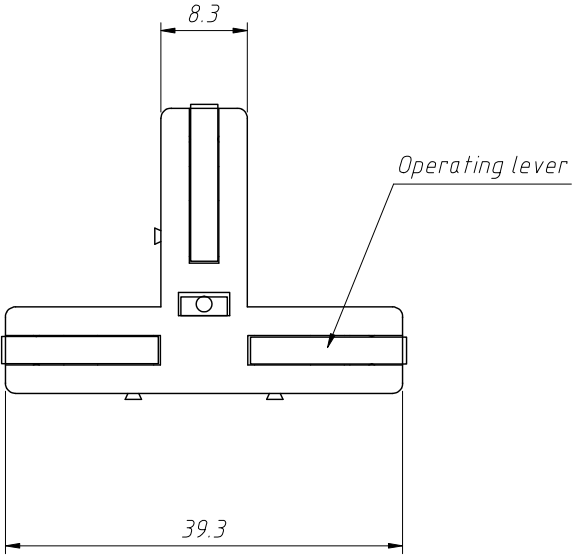
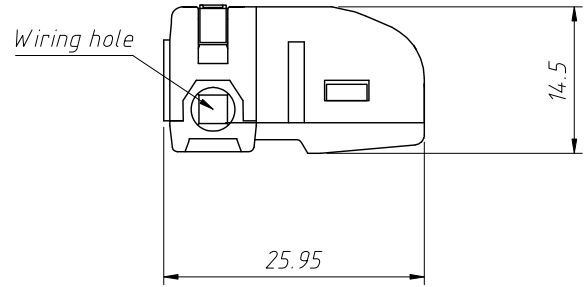
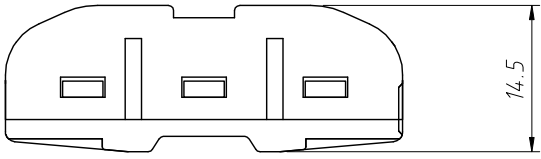


1
RoHS Compliance



Electrical data:
 Rated voltage (II / 2): 250V / 600V
 Rated impulse voltage (II / 2): 4 kV
 Rated current : 32 A
 Legend (ratings): (II / 2)
 Overvoltage category: II
 Pollution degree: 2
Connection data:
 Connection technology: CAGE CLAMP®
 Actuation type: Lever
 Connectable conductor materials: Copper
 Nominal cross section: 2.5 mm²
 Solid conductor: 0.08 ~ 2.5 mm² / 28 ~ 12 AWG
 Stranded conductor: 0.08 ~ 2.5 mm² / 28 ~ 12 AWG
 Fine-stranded conductor: 0.08 ~ 4.0 mm² / 28 ~ 12 AWG
 Strip length: 9 ~ 10 mm / 0.35 ~ 0.39 Inch
 Type of wiring: Side-entry wiring
Material Data:
 Color: Gray And Transparent color
 Flammability class per UL 94: V2

Order Information:
 L-KLS2-L01-0 0
 L: RoHS
 Terminal Blocks
 Shell Color:
 0-Gray shell
 Handle Color:
 0-Orange press handle R-Red press handle
 Y-Yellow press handle L-Blue press handle

ANGLE TOLERANCE	PROJECTION	Description:		
±3°		Wire Splice Connectors, For 4mm ² , 01 pins		
GENERAL TOLERANCE	UNITS	mm	KLS P/N:	L-KLS2-L01-00
x.x ±0.30	SHEET SIZE	A4		
x.xx ±0.20	Draw:	Daniel	2021-11-05	
x.xxx ±0.10	Check:	Daniel	2021-11-05	
			NingBo KLS ELECTRONIC CO., L.TD.	