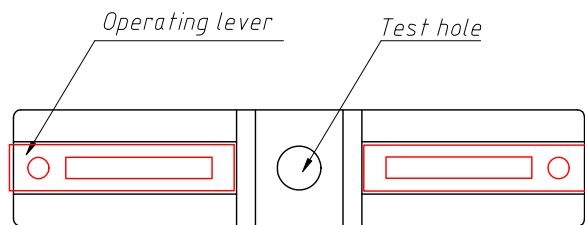
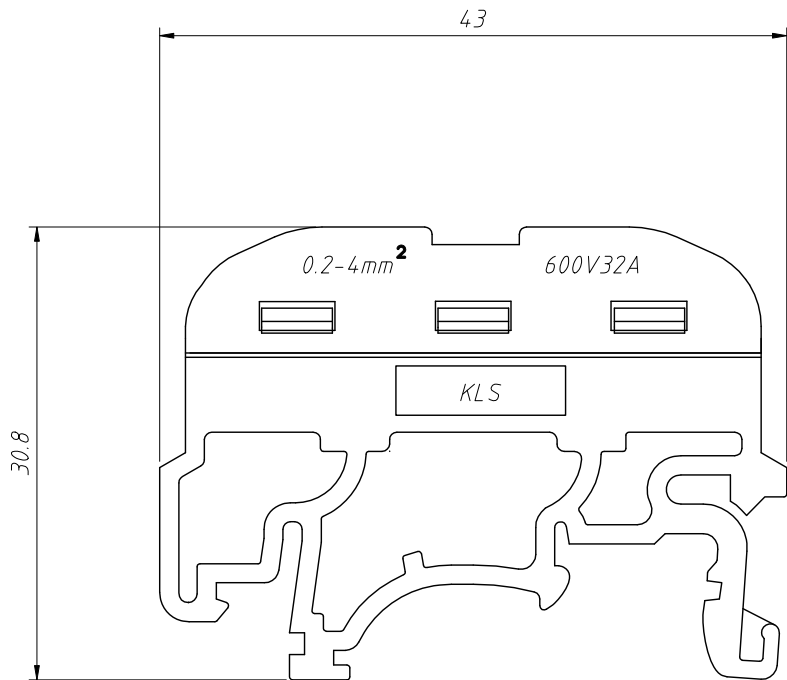
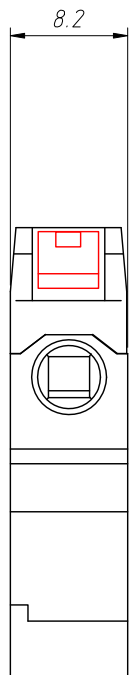


1
RoHS Compliance



Electrical data

Rated voltage (II / 2):250V / 600V

Rated impulse voltage (II / 2):4 kV

Rated current:32 A

Legend (ratings):(II / 2)

Overvoltage category:II

Pollution degree:2

Connection data

Connection technology:CAGE CLAMP®

Actuation type:Lever

Connectable conductor materials:Copper

Nominal cross section:2.5 mm²

Solid conductor:0.08 ~ 2.5 mm² / 28 ~ 12 AWG

Stranded conductor:0.08 ~ 2.5 mm² / 28 ~ 12 AWG

Fine-stranded conductor:0.08 ~ 4.0 mm² / 28 ~ 12 AWG

Strip length:9 ~ 10 mm / 0.35 ~ 0.39 Inch

Type of wiring:Side-entry wiring

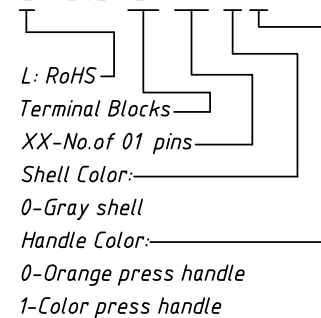
Material Data

Color:Gray shell

Flammability class per UL94:V2

Order Information:

L-KLS2-121-01P-0 0



ANGLE TOLERANCE	PROJECTION	Description:	Din Rail Wire Splice Connectors, For 4mm ² ,01 02 03 Pins
±3°			
GENERAL TOLERANCE	UNITS	mm	KLS P/N: L-KLS2-121-01P-00
x.x ±0.30	SHEET SIZE	A4	NingBo KLS ELECTRONIC CO.,L TD.
x.xx ±0.20	Draw:	Daniel 2021-11-05	
x.xxx ±0.10	Check:	Daniel 2021-11-05	