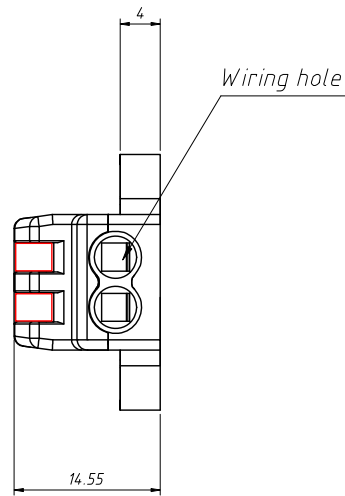
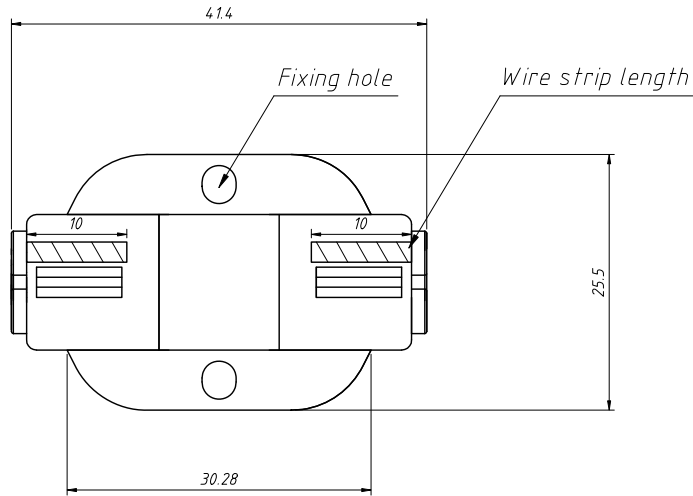
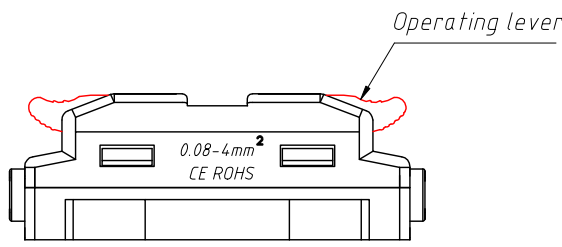
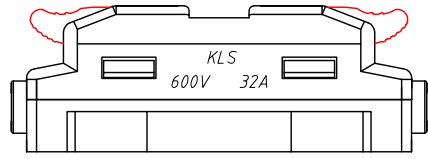


1  
RoHS Compliance



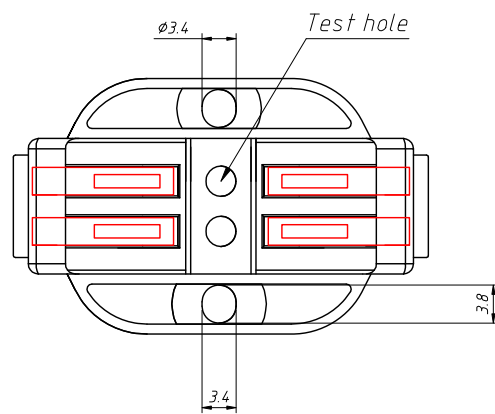
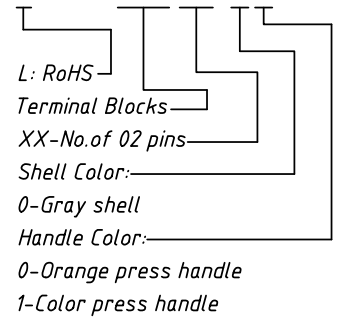
**Electrical data:**  
 Rated voltage (II / 2): 250V / 600V  
 Rated impulse voltage (III / 2): 4 kV  
 Rated current : 32 A  
 Legend (ratings): (II / 2)  
 Overvoltage category: II  
 Pollution degree: 2

**Connection data:**  
 Connection technology: CAGE CLAMP®  
 Actuation type: Lever  
 Connectable conductor materials: Copper  
 Nominal cross section: 2.5 mm<sup>2</sup>  
 Solid conductor: 0.08 ~ 2.5 mm<sup>2</sup> / 28 ~ 12 AWG  
 Stranded conductor: 0.08 ~ 2.5 mm<sup>2</sup> / 28 ~ 12 AWG  
 Fine-stranded conductor: 0.08 ~ 4.0 mm<sup>2</sup> / 28 ~ 12 AWG  
 Strip length: 9 ~ 10 mm / 0.35 ~ 0.39 Inch  
 Type of wiring: Side-entry wiring

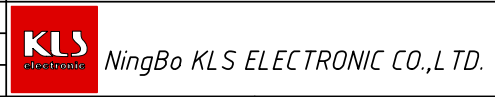


**Material Data:**  
 Color: Gray  
 Flammability class per UL 94 V2

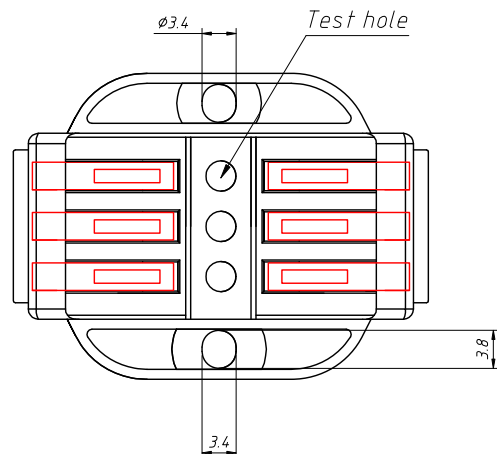
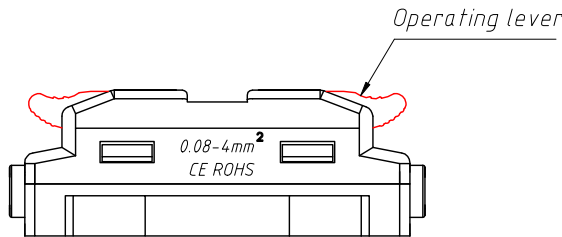
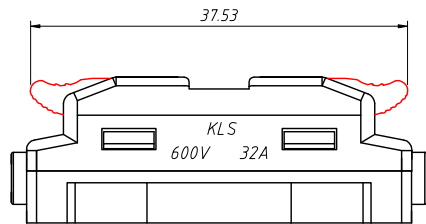
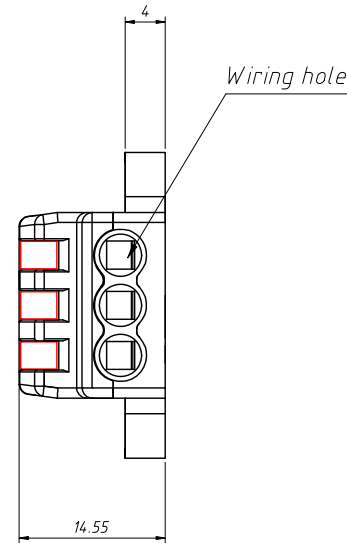
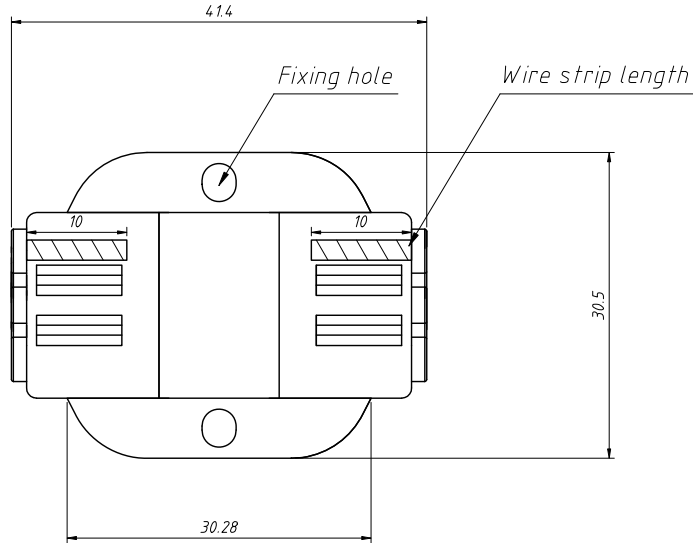
**Order Information:**  
 L-KLS2-223-02P-0 0



ANGLE TOLERANCE	PROJECTION	Description:	Wire Splice Connectors, For 4mm <sup>2</sup> , 02 03 04 05 06, 08, 09 ~ 20 Pins
±3°			
GENERAL TOLERANCE	UNITS	mm	KLS P/N: L-KLS2-223-02P-00
x.x ±0.30	SHEET SIZE	A4	
x.xx ±0.20	Draw:	Daniel	2021-11-05
x.xxx ±0.10	Check:	Daniel	2021-11-05



1 RoHS Compliance

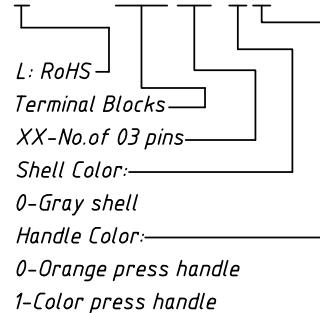


**Electrical data:**  
 Rated voltage (II / 2): 250V / 600V  
 Rated impulse voltage (III / 2): 4 kV  
 Rated current : 32 A  
 Legend (ratings): (II / 2)  
 Overvoltage category: II  
 Pollution degree: 2

**Connection data:**  
 Connection technology: CAGE CLAMP®  
 Actuation type: Lever  
 Connectable conductor materials: Copper  
 Nominal cross section: 2.5 mm<sup>2</sup>  
 Solid conductor: 0.08 ~ 2.5 mm<sup>2</sup> / 28 ~ 12 AWG  
 Stranded conductor: 0.08 ~ 2.5 mm<sup>2</sup> / 28 ~ 12 AWG  
 Fine-stranded conductor: 0.08 ~ 4.0 mm<sup>2</sup> / 28 ~ 12 AWG  
 Strip length: 9 ~ 10 mm / 0.35 ~ 0.39 Inch  
 Type of wiring: Side-entry wiring

**Material Data:**  
 Color: Gray  
 Flammability class per UL 94 V2

**Order Information:**  
 L-KLS2-223-03P-0 0

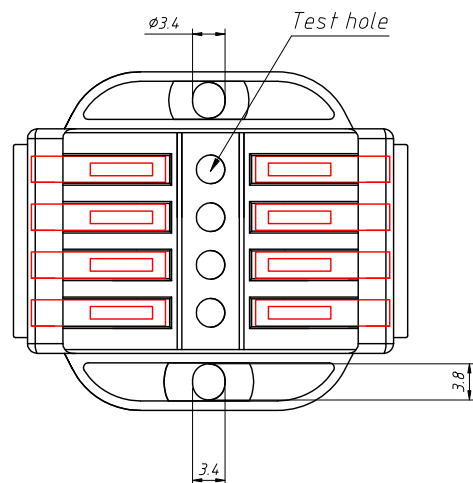
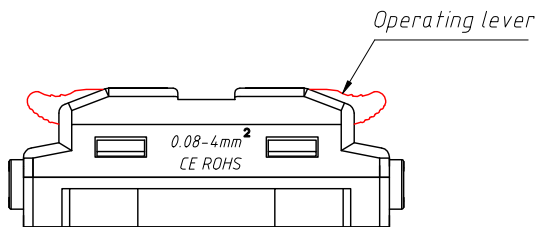
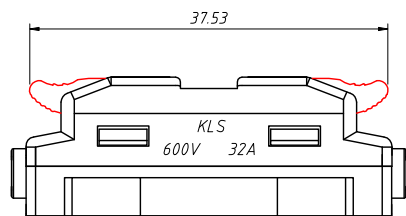
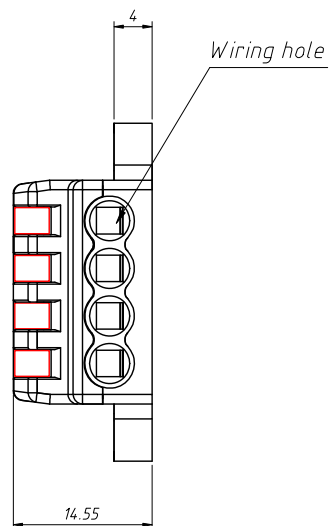
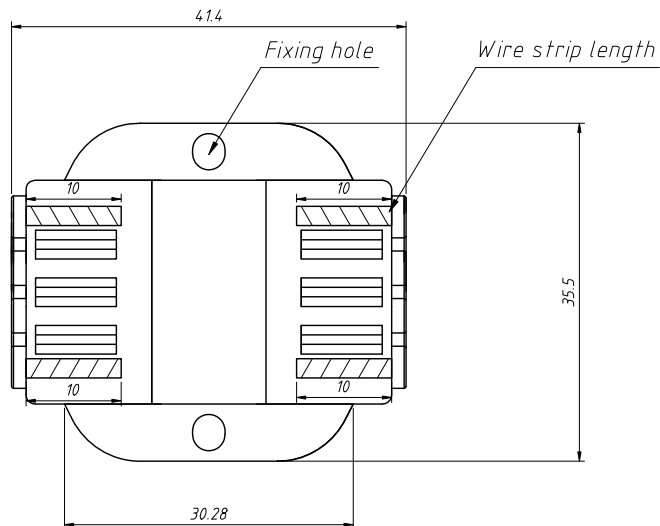


ANGLE TOLERANCE	PROJECTION	Description:	Wire Splice Connectors, For 4mm <sup>2</sup> , 02 03 04 05 06, 08, 09 ~ 20 Pins
±3°			
GENERAL TOLERANCE	UNITS	mm	KLS P/N: L-KLS2-223-03P-00
x.x ±0.30	SHEET SIZE	A4	
x.xx ±0.20	Draw:	Daniel	2021-11-05
x.xxx ±0.10	Check:	Daniel	2021-11-05



NingBo KLS ELECTRONIC CO., L TD.

1 RoHS Compliance

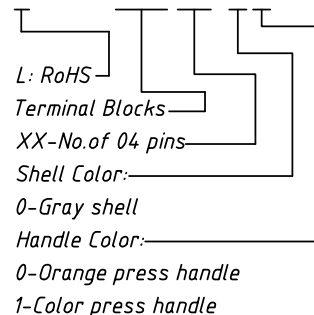


**Electrical data:**  
 Rated voltage (II / 2): 250V / 600V  
 Rated impulse voltage (II / 2): 4 kV  
 Rated current : 32 A  
 Legend (ratings): (II / 2)  
 Overvoltage category: II  
 Pollution degree: 2

**Connection data:**  
 Connection technology: CAGE CLAMP®  
 Actuation type: Lever  
 Connectable conductor materials: Copper  
 Nominal cross section: 2.5 mm<sup>2</sup>  
 Solid conductor: 0.08 ~ 2.5 mm<sup>2</sup> / 28 ~ 12 AWG  
 Stranded conductor: 0.08 ~ 2.5 mm<sup>2</sup> / 28 ~ 12 AWG  
 Fine-stranded conductor: 0.08 ~ 4.0 mm<sup>2</sup> / 28 ~ 12 AWG  
 Strip length: 9 ~ 10 mm / 0.35 ~ 0.39 Inch  
 Type of wiring: Side-entry wiring

**Material Data:**  
 Color: Gray  
 Flammability class per UL 94 V2

**Order Information:**  
 L-KLS2-223-04P-0 0

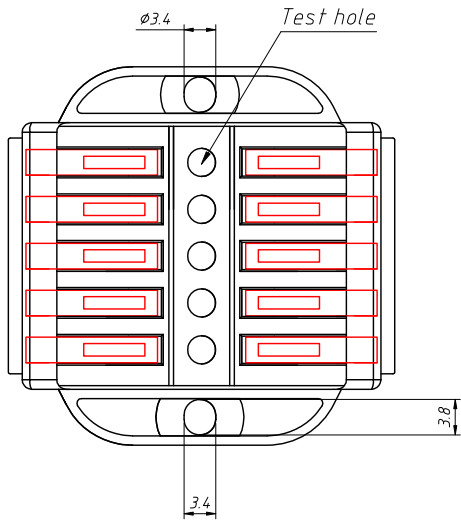
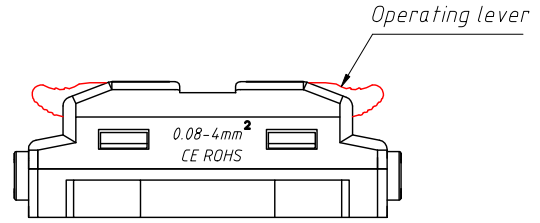
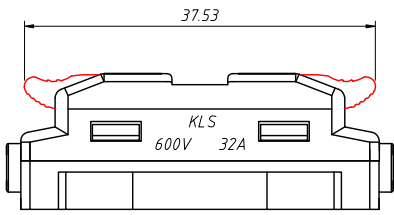
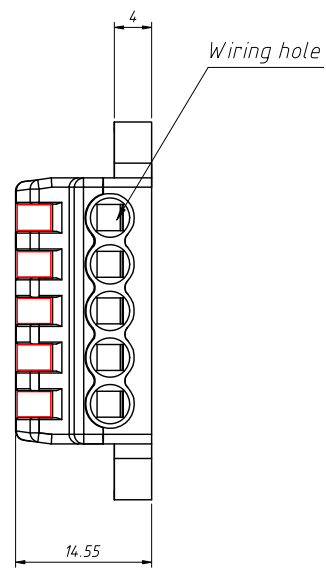
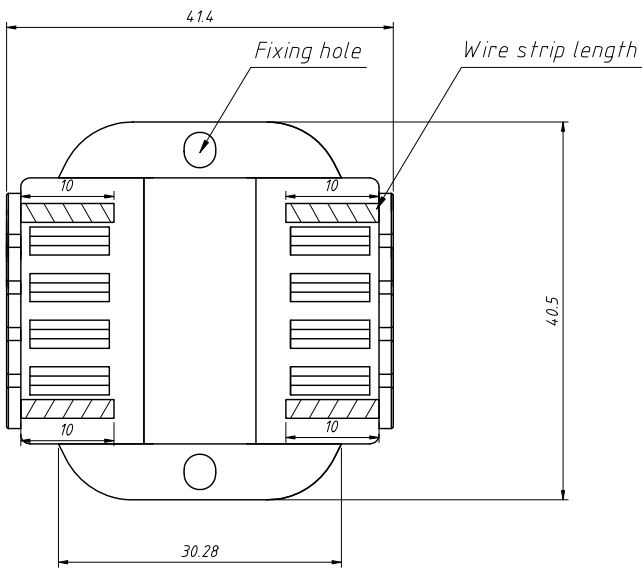


ANGLE TOLERANCE	PROJECTION	Description:	Wire Splice Connectors, For 4mm <sup>2</sup> , 02 03 04 05 06, 08, 09 ~ 20 Pins
±3°			
GENERAL TOLERANCE	UNITS	mm	KLS P/N: L-KLS2-223-04P-00
x.x ±0.30	SHEET SIZE	A4	
x.xx ±0.20	Draw:	Daniel	2021-11-05
x.xxx ±0.10	Check:	Daniel	2021-11-05



NingBo KLS ELECTRONIC CO., L TD.

1  
RoHS Compliance

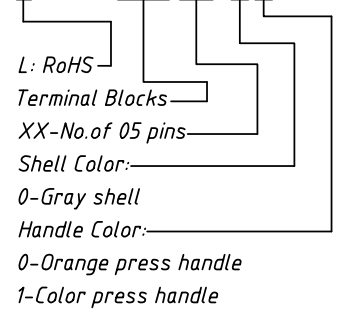


Electrical data:  
 Rated voltage (II / 2): 250V / 600V  
 Rated impulse voltage (II / 2): 4 kV  
 Rated current : 32 A  
 Legend (ratings): (II / 2)  
 Overvoltage category: II  
 Pollution degree: 2

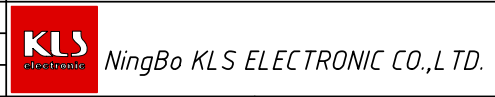
Connection data:  
 Connection technology: CAGE CLAMP®  
 Actuation type: Lever  
 Connectable conductor materials: Copper  
 Nominal cross section: 2.5 mm<sup>2</sup>  
 Solid conductor: 0.08 ~ 2.5 mm<sup>2</sup> / 28 ~ 12 AWG  
 Stranded conductor: 0.08 ~ 2.5 mm<sup>2</sup> / 28 ~ 12 AWG  
 Fine-stranded conductor: 0.08 ~ 4.0 mm<sup>2</sup> / 28 ~ 12 AWG  
 Strip length: 9 ~ 10 mm / 0.35 ~ 0.39 Inch  
 Type of wiring: Side-entry wiring

Material Data:  
 Color: Gray  
 Flammability class per UL 94 V2

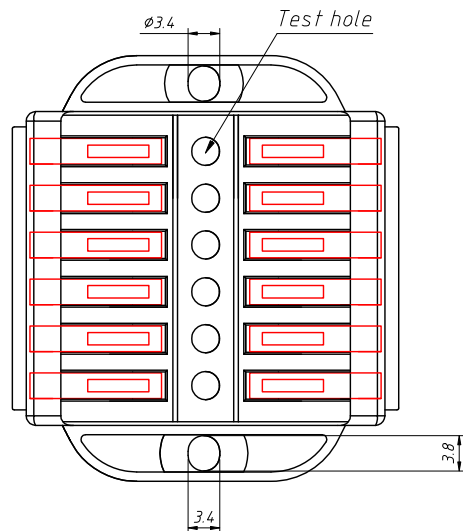
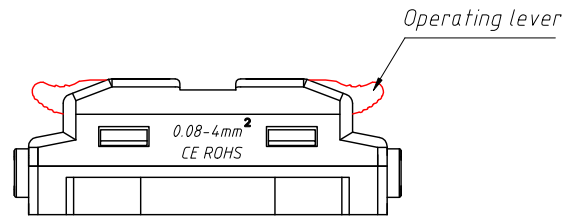
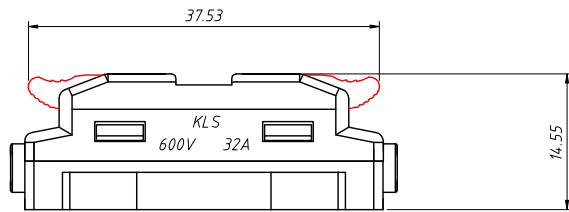
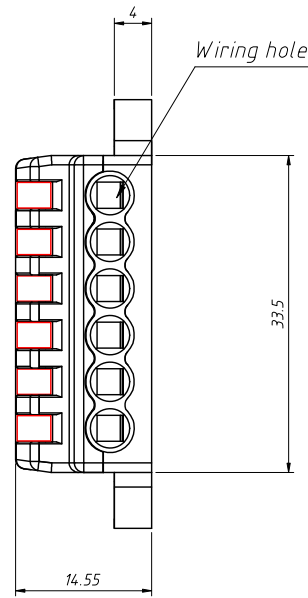
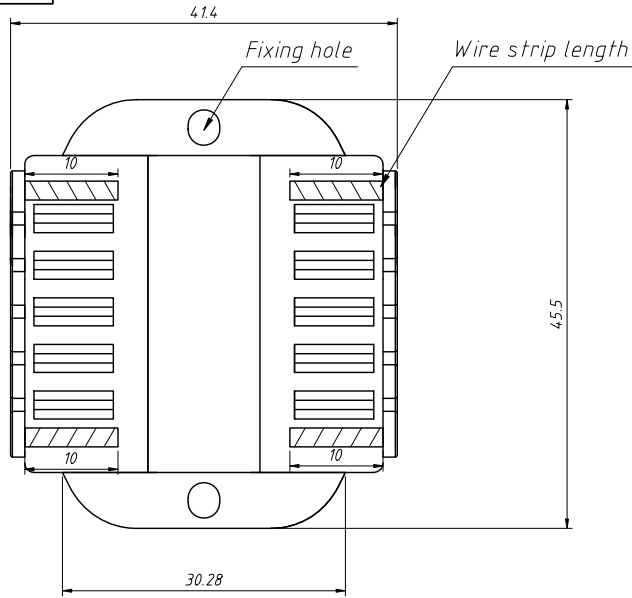
Order Information:  
 L-KLS2-223-05P-0 0



ANGLE TOLERANCE	PROJECTION	Description:	Wire Splice Connectors, For 4mm <sup>2</sup> , 02 03 04 05 06, 08, 09 ~ 20 Pins
±3°			
GENERAL TOLERANCE	UNITS	mm	KLS P/N: L-KLS2-223-05P-00
x.x ±0.30	SHEET SIZE	A4	
x.xx ±0.20	Draw:	Daniel	2021-11-05
x.xxx ±0.10	Check:	Daniel	2021-11-05



1 RoHS Compliance

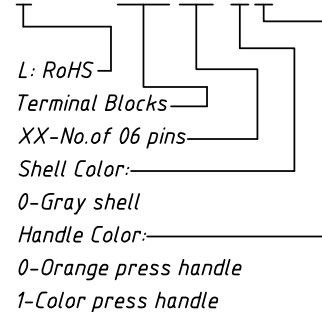


**Electrical data:**  
 Rated voltage (II / 2): 250V / 600V  
 Rated impulse voltage (II / 2): 4 kV  
 Rated current : 32 A  
 Legend (ratings): (II / 2)  
 Overvoltage category: II  
 Pollution degree: 2

**Connection data:**  
 Connection technology: CAGE CLAMP®  
 Actuation type: Lever  
 Connectable conductor materials: Copper  
 Nominal cross section: 2.5 mm<sup>2</sup>  
 Solid conductor: 0.08 ~ 2.5 mm<sup>2</sup> / 28 ~ 12 AWG  
 Stranded conductor: 0.08 ~ 2.5 mm<sup>2</sup> / 28 ~ 12 AWG  
 Fine-stranded conductor: 0.08 ~ 4.0 mm<sup>2</sup> / 28 ~ 12 AWG  
 Strip length: 9 ~ 10 mm / 0.35 ~ 0.39 Inch  
 Type of wiring: Side-entry wiring

**Material Data:**  
 Color: Gray  
 Flammability class per UL 94 V2

**Order Information:**  
 L-KLS2-223-06P-0 0

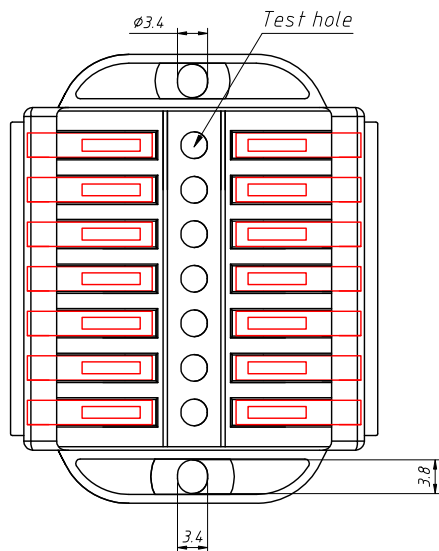
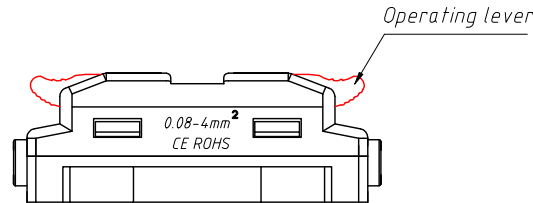
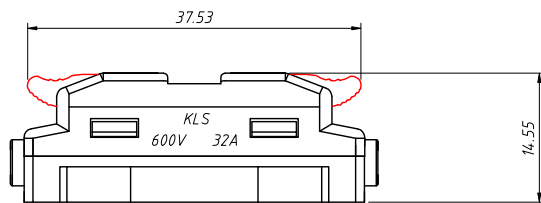
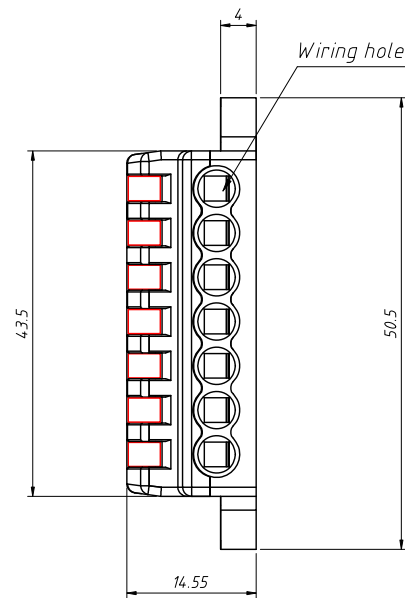
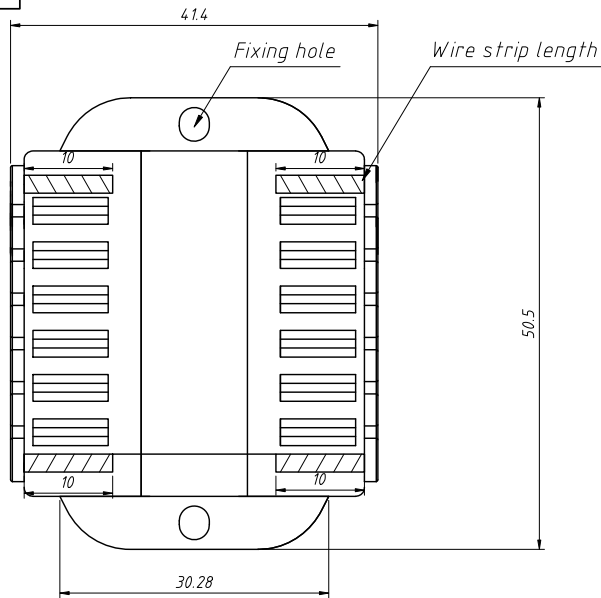


ANGLE TOLERANCE	PROJECTION	Description:	Wire Splice Connectors, For 4mm <sup>2</sup> , 02 03 04 05 06, 08, 09 ~ 20 Pins
±3°			
GENERAL TOLERANCE	UNITS	mm	KLS P/N: L-KLS2-223-06P-00
x.x ±0.30	SHEET SIZE	A4	
x.xx ±0.20	Draw:	Daniel	2021-11-05
x.xxx ±0.10	Check:	Daniel	2021-11-05



NingBo KLS ELECTRONIC CO., L.TD.

1 RoHS Compliance

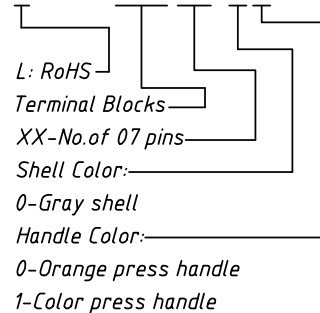


**Electrical data:**  
 Rated voltage (II / 2): 250V / 600V  
 Rated impulse voltage (II / 2): 4 kV  
 Rated current : 32 A  
 Legend (ratings): (II / 2)  
 Overvoltage category: II  
 Pollution degree: 2

**Connection data:**  
 Connection technology: CAGE CLAMP®  
 Actuation type: Lever  
 Connectable conductor materials: Copper  
 Nominal cross section: 2.5 mm<sup>2</sup>  
 Solid conductor: 0.08 ~ 2.5 mm<sup>2</sup> / 28 ~ 12 AWG  
 Stranded conductor: 0.08 ~ 2.5 mm<sup>2</sup> / 28 ~ 12 AWG  
 Fine-stranded conductor: 0.08 ~ 4.0 mm<sup>2</sup> / 28 ~ 12 AWG  
 Strip length: 9 ~ 10 mm / 0.35 ~ 0.39 Inch  
 Type of wiring: Side-entry wiring

**Material Data:**  
 Color: Gray  
 Flammability class per UL 94 V2

**Order Information:**  
 L-KLS2-223-07P-0 0

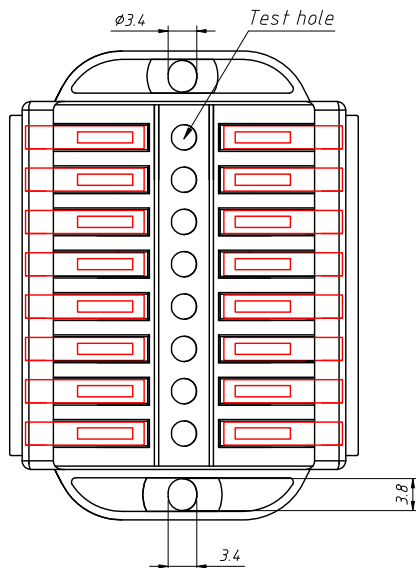
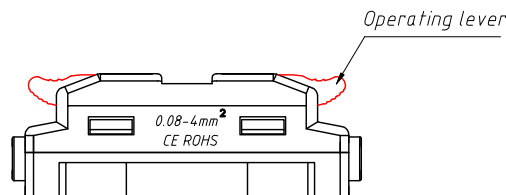
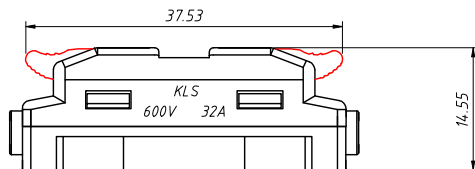
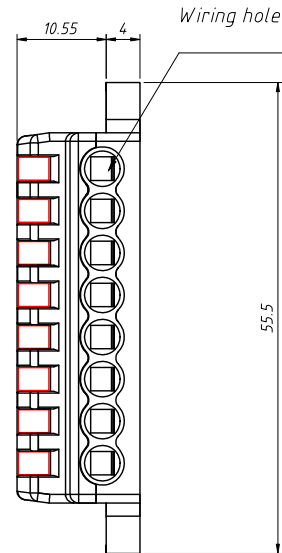
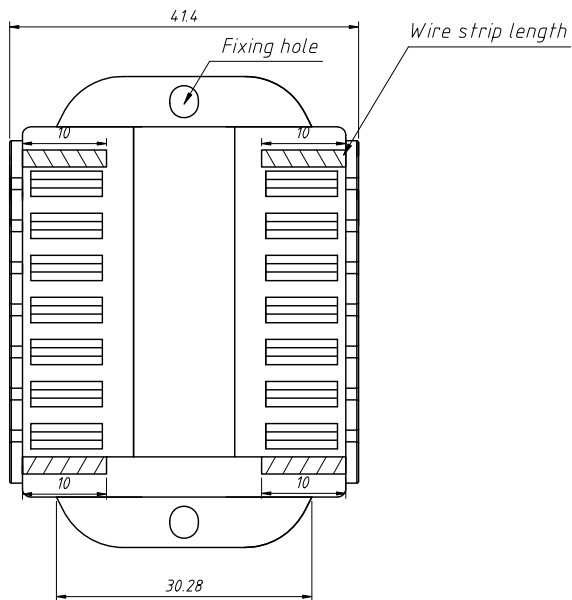


ANGLE TOLERANCE	PROJECTION	Description:	Wire Splice Connectors, For 4mm <sup>2</sup> , 02 03 04 05 06, 08, 09 ~ 20 Pins
±3°			
GENERAL TOLERANCE	UNITS	mm	KLS P/N: L-KLS2-223-07P-00
x.x ±0.30	SHEET SIZE	A4	
x.xx ±0.20	Draw:	Daniel	2021-11-05
x.xxx ±0.10	Check:	Daniel	2021-11-05



NingBo KLS ELECTRONIC CO., L TD.

RoHS Compliance



**Electrical data:**  
 Rated voltage (II / 2): 250V / 600V  
 Rated impulse voltage (II / 2): 4 kV  
 Rated current : 32 A  
 Legend (ratings): (II / 2)  
 Overvoltage category: II  
 Pollution degree: 2

**Connection data:**  
 Connection technology: CAGE CLAMP®  
 Actuation type: Lever  
 Connectable conductor materials: Copper  
 Nominal cross section: 2.5 mm<sup>2</sup>  
 Solid conductor: 0.08 ~ 2.5 mm<sup>2</sup> / 28 ~ 12 AWG  
 Stranded conductor: 0.08 ~ 2.5 mm<sup>2</sup> / 28 ~ 12 AWG  
 Fine-stranded conductor: 0.08 ~ 4.0 mm<sup>2</sup> / 28 ~ 12 AWG  
 Strip length: 9 ~ 10 mm / 0.35 ~ 0.39 Inch  
 Type of wiring: Side-entry wiring

**Material Data:**  
 Color: Gray  
 Flammability class per UL 94 V2

**Order Information:**  
 L-KLS2-223-08P-0 0

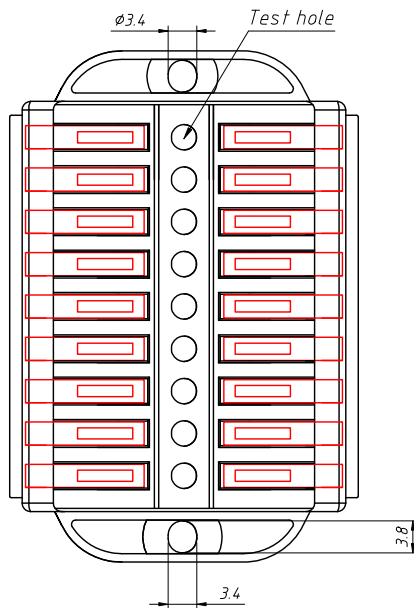
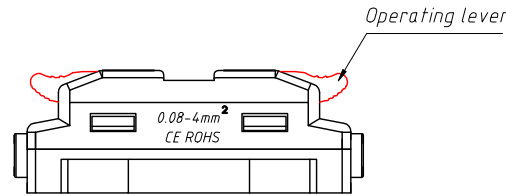
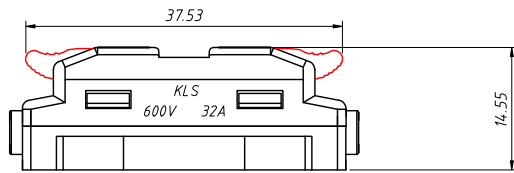
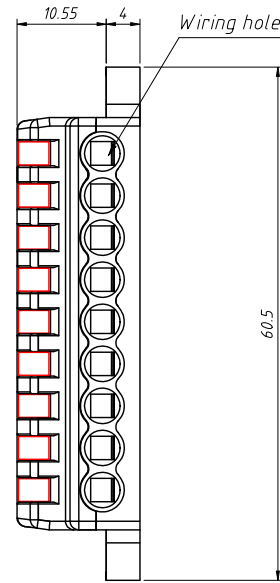
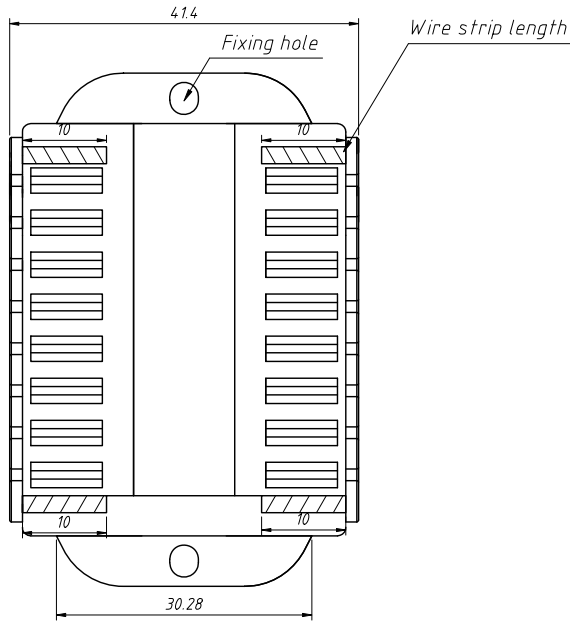
L: RoHS  
 Terminal Blocks  
 XX-No. of 08 pins  
 Shell Color:  
 0-Gray shell  
 Handle Color:  
 0-Orange press handle  
 1-Color press handle

ANGLE TOLERANCE	PROJECTION	Description:	Wire Splice Connectors, For 4mm <sup>2</sup> , 02 03 04 05 06, 08, 09 ~ 20 Pins
±3°			
GENERAL TOLERANCE	UNITS	mm	KLS P/N: L-KLS2-223-08P-00
x.x ±0.30	SHEET SIZE	A4	
x.xx ±0.20	Draw:	Daniel	2021-11-05
x.xxx ±0.10	Check:	Daniel	2021-11-05



NingBo KLS ELECTRONIC CO., L TD.

RoHS Compliance

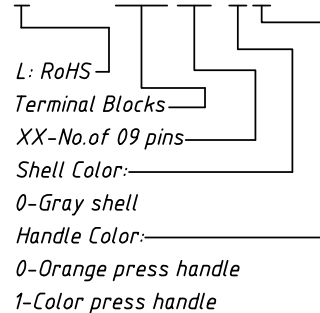


**Electrical data:**  
 Rated voltage (II / 2): 250V / 600V  
 Rated impulse voltage (II / 2): 4 kV  
 Rated current : 32 A  
 Legend (ratings): (II / 2)  
 Overvoltage category: II  
 Pollution degree: 2

**Connection data:**  
 Connection technology: CAGE CLAMP®  
 Actuation type: Lever  
 Connectable conductor materials: Copper  
 Nominal cross section: 2.5 mm<sup>2</sup>  
 Solid conductor: 0.08 ~ 2.5 mm<sup>2</sup> / 28 ~ 12 AWG  
 Stranded conductor: 0.08 ~ 2.5 mm<sup>2</sup> / 28 ~ 12 AWG  
 Fine-stranded conductor: 0.08 ~ 4.0 mm<sup>2</sup> / 28 ~ 12 AWG  
 Strip length: 9 ~ 10 mm / 0.35 ~ 0.39 Inch  
 Type of wiring: Side-entry wiring

**Material Data:**  
 Color: Gray  
 Flammability class per UL 94 V2

**Order Information:**  
 L-KLS2-223-09P-0 0



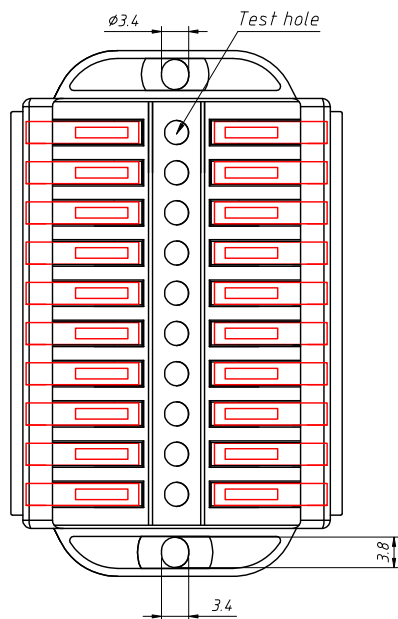
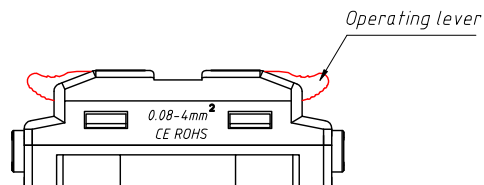
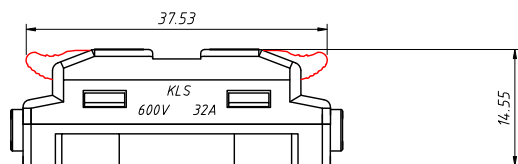
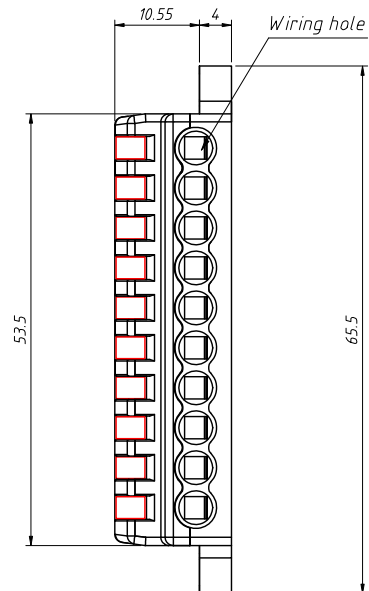
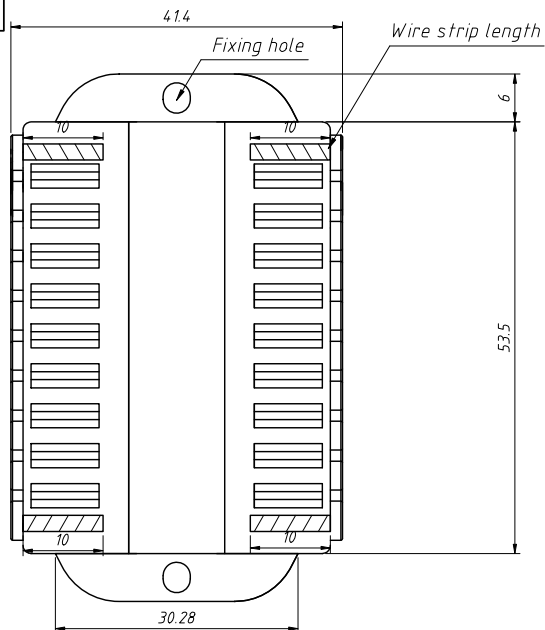
ANGLE TOLERANCE	PROJECTION	Description:	Wire Splice Connectors, For 4mm <sup>2</sup> , 02 03 04 05 06, 08, 09 ~ 20 Pins
±3°			
GENERAL TOLERANCE	UNITS	mm	KLS P/N: L-KLS2-223-09P-00
x.x ±0.30	SHEET SIZE	A4	
x.xx ±0.20	Draw:	Daniel	2021-11-05
x.xxx ±0.10	Check:	Daniel	2021-11-05



NingBo KLS ELECTRONIC CO., L TD.



1 RoHS Compliance

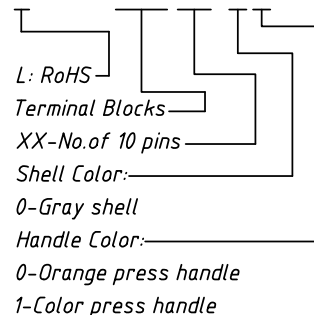


**Electrical data:**  
 Rated voltage (II / 2): 250V / 600V  
 Rated impulse voltage (II / 2): 4 kV  
 Rated current : 32 A  
 Legend (ratings): (II / 2)  
 Overvoltage category: II  
 Pollution degree: 2

**Connection data:**  
 Connection technology: CAGE CLAMP®  
 Actuation type: Lever  
 Connectable conductor materials: Copper  
 Nominal cross section: 2.5 mm<sup>2</sup>  
 Solid conductor: 0.08 ~ 2.5 mm<sup>2</sup> / 28 ~ 12 AWG  
 Stranded conductor: 0.08 ~ 2.5 mm<sup>2</sup> / 28 ~ 12 AWG  
 Fine-stranded conductor: 0.08 ~ 4.0 mm<sup>2</sup> / 28 ~ 12 AWG  
 Strip length: 9 ~ 10 mm / 0.35 ~ 0.39 Inch  
 Type of wiring: Side-entry wiring

**Material Data:**  
 Color: Gray  
 Flammability class per UL 94 V2

**Order Information:**  
 L-KLS2-223-10P-0 0

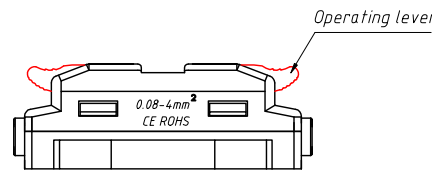
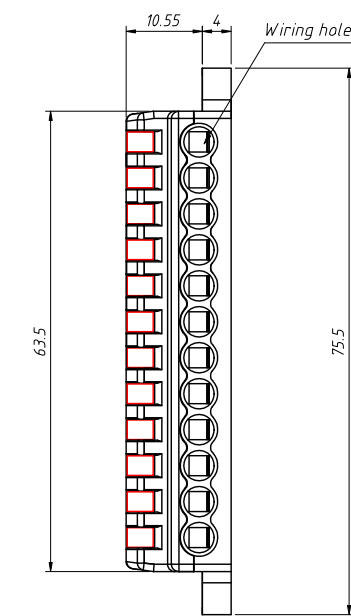
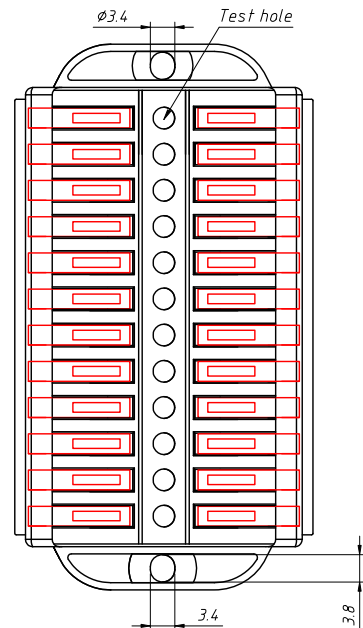
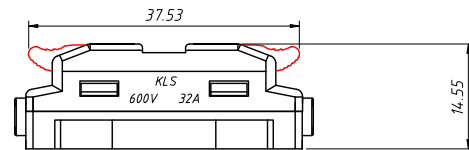
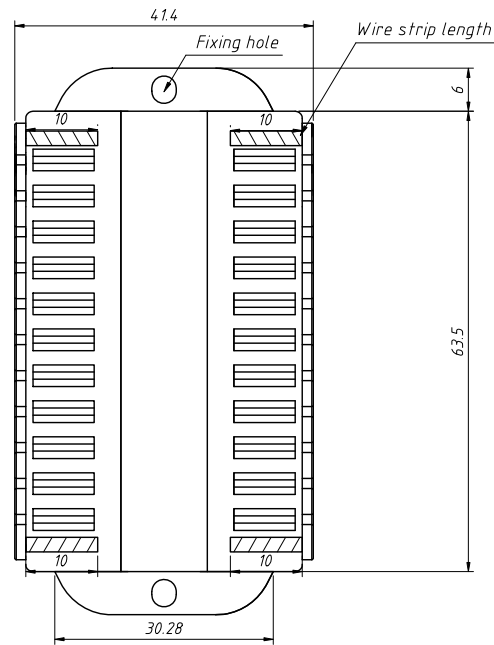


ANGLE TOLERANCE	PROJECTION	Description:	Wire Splice Connectors, For 4mm <sup>2</sup> , 02 03 04 05 06, 08, 09 ~ 20 Pins
±3°			
GENERAL TOLERANCE	UNITS	mm	KLS P/N: L-KLS2-223-10P-00
x.x ±0.30	SHEET SIZE	A4	
x.xx ±0.20	Draw:	Daniel	2021-11-05
x.xxx ±0.10	Check:	Daniel	2021-11-05



NingBo KLS ELECTRONIC CO., L TD.

1 RoHS Compliance

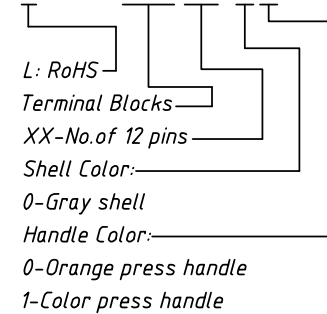


Electrical data:  
 Rated voltage (II / 2): 250V / 600V  
 Rated impulse voltage (II / 2): 4 kV  
 Rated current: 32 A  
 Legend (ratings): (II / 2)  
 Overvoltage category: II  
 Pollution degree: 2

Connection data:  
 Connection technology: CAGE CLAMP®  
 Actuation type: Lever  
 Connectable conductor materials: Copper  
 Nominal cross section: 2.5 mm<sup>2</sup>  
 Solid conductor: 0.08 ~ 2.5 mm<sup>2</sup> / 28 ~ 12 AWG  
 Stranded conductor: 0.08 ~ 2.5 mm<sup>2</sup> / 28 ~ 12 AWG  
 Fine-stranded conductor: 0.08 ~ 4.0 mm<sup>2</sup> / 28 ~ 12 AWG  
 Strip length: 9 ~ 10 mm / 0.35 ~ 0.39 Inch  
 Type of wiring: Side-entry wiring

Material Data:  
 Color: Gray  
 Flammability class per UL 94 V2

Order Information:  
 L-KLS2-223-12P-0 0



ANGLE TOLERANCE	PROJECTION	Description:	Wire Splice Connectors, For 4mm <sup>2</sup> , 02 03 04 05 06, 08, 09 ~ 20 Pins
±3°			
GENERAL TOLERANCE	UNITS	mm	KLS P/N: L-KLS2-223-12P-00
x.x ±0.30	SHEET SIZE	A4	
x.xx ±0.20	Draw:	Daniel	2021-11-05
x.xxx ±0.10	Check:	Daniel	2021-11-05



NingBo KLS ELECTRONIC CO., L.TD.