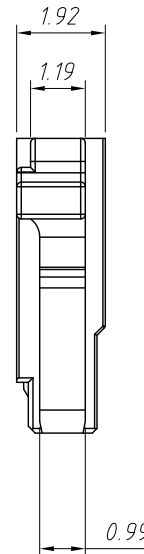
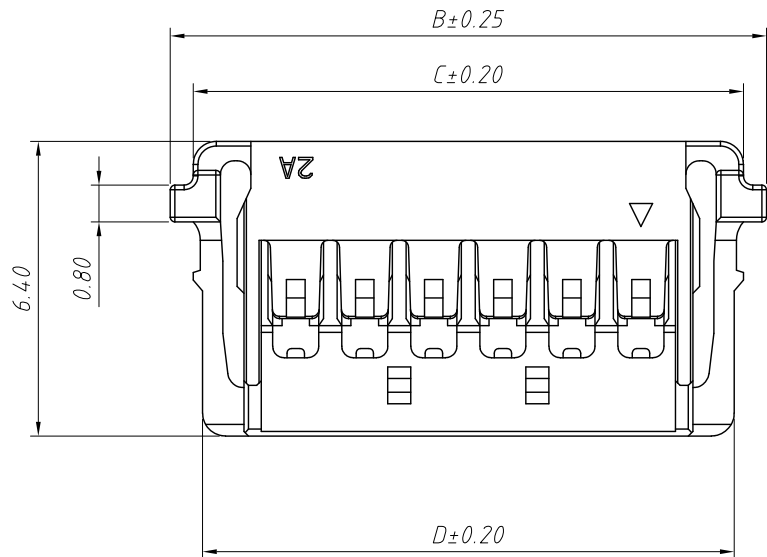
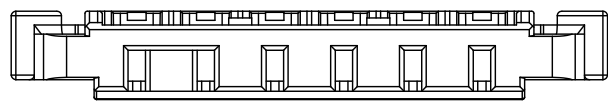


Material:
Housing:PA66,UL94-V0
Color:Blank-natural color

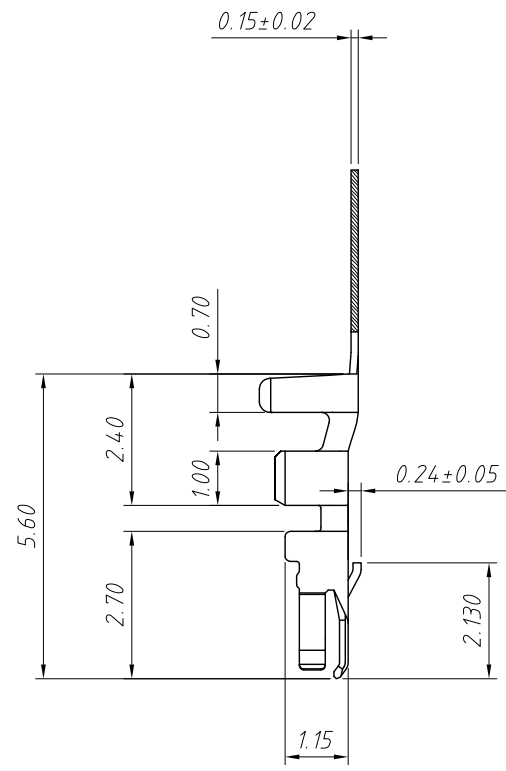
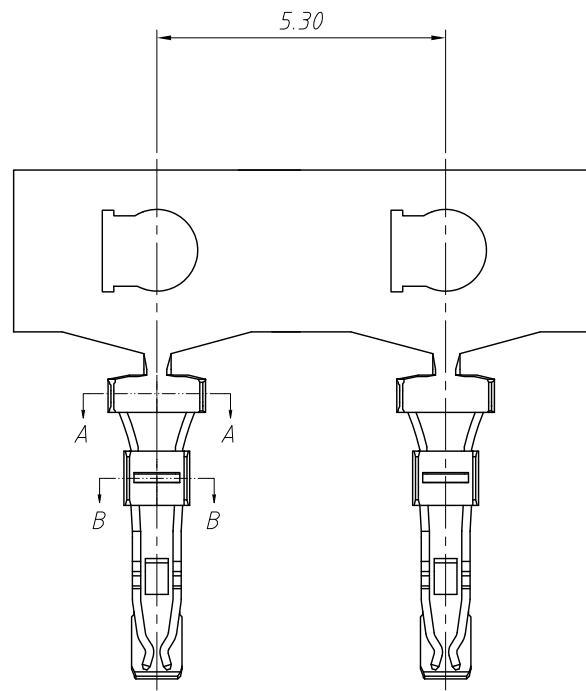
Specifications:
Voltage rating:150V AC/DC
Current rating:3A AC/DC
Withstanding voltage:500V AC/minute
Insulation resistance:1000MΩ Min.
Contact resistance:20mΩ Max.
After environmental testing:40mΩ Max.
Temperature range:-25°C ~ +85°C



| Circuit | Dimensions(mm) | | | |
|---------|----------------|-------|-------|-------|
| | A | B | C | D |
| 02 | 1.50 | 6.95 | 5.95 | 5.55 |
| 03 | 3.00 | 8.45 | 7.45 | 7.05 |
| 04 | 4.50 | 9.95 | 8.95 | 8.55 |
| 05 | 6.00 | 11.45 | 10.45 | 10.05 |
| 06 | 7.50 | 12.95 | 11.95 | 11.55 |
| 07 | 9.00 | 14.45 | 12.45 | 13.05 |
| 08 | 10.50 | 15.95 | 14.95 | 14.55 |
| 09 | 12.00 | 17.45 | 15.45 | 16.05 |
| 10 | 13.50 | 18.95 | 17.95 | 17.55 |
| 12 | 16.50 | 21.95 | 20.95 | 20.55 |

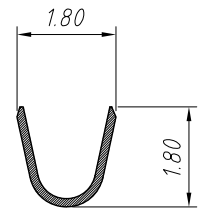


| | | | |
|-------------------|------------|------------|--------------------------------------|
| GENERAL TOLERANCE | PROJECTION | | Description: |
| .X. ±0.30 | UNITS | mm | Pitch 1.50mm Wire To Board Connector |
| .X ±0.20 | SCALE | 1:1 | |
| .XX ±0.10 | Draw by: | Jenny | KLS P/N: L-KLS1-MK-1.50-04-H |
| ANGLE TOLERANCE | Check by: | | NingBo KLS ELECTRONIC CO.,L TD. |
| .X. ±5° | Date | 2018-03-01 | |
| .X ±3° | SHEET | 1 OF 1 | |
| .XX ±2° | | | |

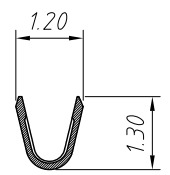


Material:
 Terminal :Phosphor Bronze,
 Gold Flash /Bright tin plating.
 Wire Range:AWG#24-28
 Insulation OD:1.10mm Max.

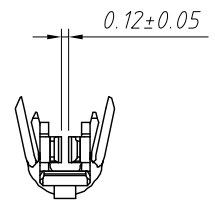
Specifications:
 Voltage rating:150V AC/DC
 Current rating:3A AC/DC
 Withstanding voltage:500V AC/minute
 Insulation resistance:1000M Ω Min.
 Contact resistance:20m Ω Max.
 After environmental testing:40m Ω Max.
 Temperature range:-25°C ~ +85°C



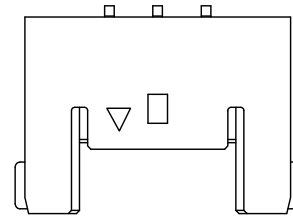
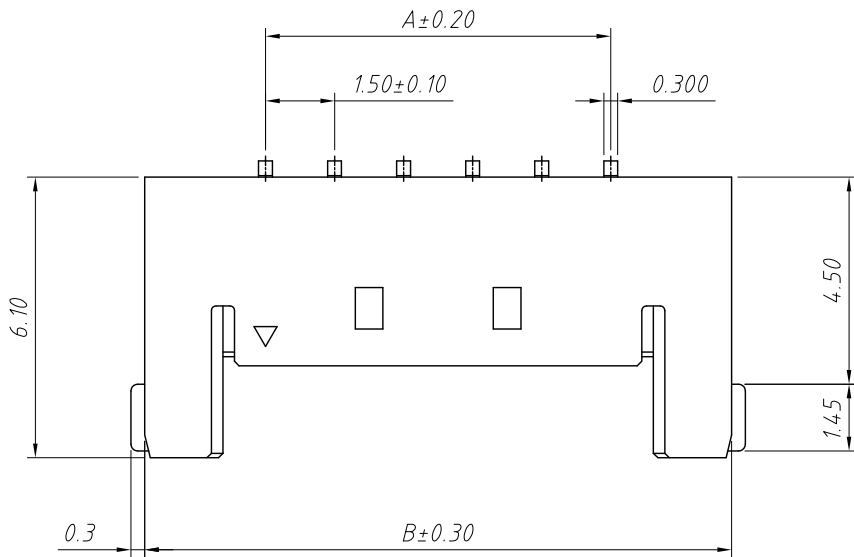
Section: A-A
 Scale: 1:1



Section: B-B
 Scale: 1:1



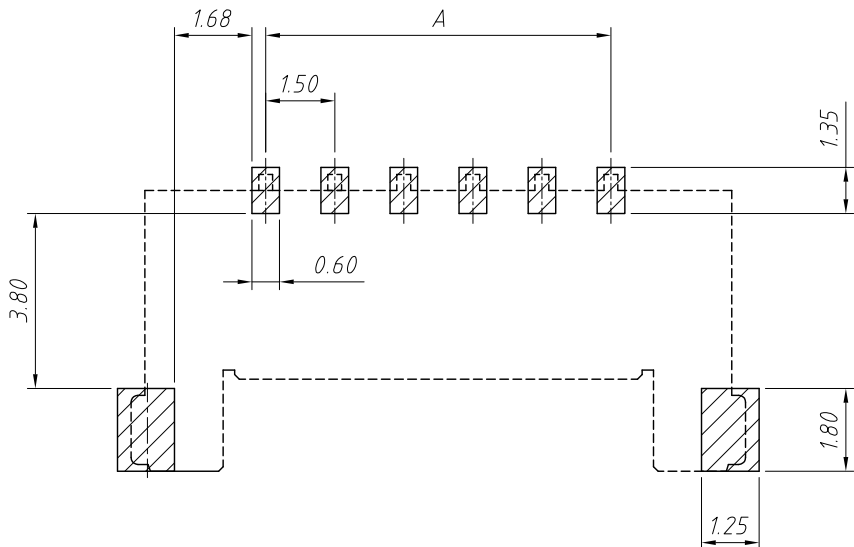
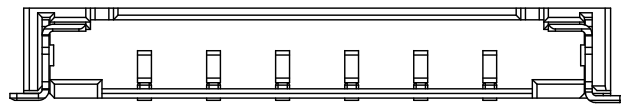
| GENERAL TOLERANCE | PROJECTION | | Description: |
|-------------------|------------|------------|---------------------------------|
| X. ± 0.30 | UNITS | mm | Pitch 1.50mm Terminal |
| .X ± 0.20 | SCALE | 1:1 | |
| .XX ± 0.10 | Draw by: | Jenny | |
| ANGLE TOLERANCE | Check by: | | KLS P/N: L-KLS1-MK-1.50-T |
| X. $\pm 5^\circ$ | Date | 2018-03-01 | NingBo KLS ELECTRONIC CO.,L TD. |
| .X $\pm 3^\circ$ | SHEET | 1 OF 1 | |
| .XX $\pm 2^\circ$ | | | |



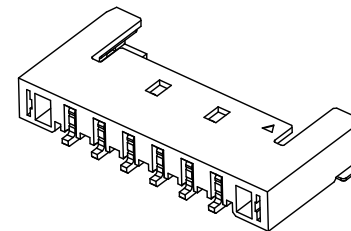
02P~04P Single Hole
Scale 1:0.7

Material:
 Insulator:PA4T,UL 94V-0
 Color:Blank-Natural color
 Pin:Phosphor Bronze,Gold Flash
 Solder Tabs:Brass,Tin Plating

Specifications:
 Voltage rating:150V AC/DC
 Current rating:3A AC/DC
 Withstanding voltage:500V AC/minute
 Insulation resistance:1000M Ω Min.
 Contact resistance:20m Ω Max.
 After environmental testing:40m Ω Max.
 Temperature range:-25°C~+85°C



| Circuit | Dimensions(mm) | |
|---------|----------------|-------|
| | A | B |
| 02 | 1.50 | 6.75 |
| 03 | 3.00 | 8.25 |
| 04 | 4.50 | 9.75 |
| 05 | 6.00 | 11.25 |
| 06 | 7.50 | 12.75 |
| 07 | 9.00 | 14.25 |
| 08 | 10.50 | 15.75 |
| 09 | 12.00 | 17.25 |
| 10 | 13.50 | 18.75 |
| 11 | 15.00 | 20.25 |
| 12 | 16.50 | 21.75 |



| GENERAL TOLERANCE | PROJECTION | | Description: |
|-------------------|------------|------------|--------------------------------------|
| X. ± 0.30 | UNITS | mm | Pitch 1.50mm wire to board connector |
| .X ± 0.20 | SCALE | 1:1 | |
| .XX ± 0.10 | Draw by: | Jenny | KLS P/N: L-KLS1-MK-1.50-04-RM |
| ANGLE TOLERANCE | Check by: | | NingBo KLS ELECTRONIC CO.,L TD. |
| X. $\pm 5^\circ$ | Date | 2018-03-01 | |
| .X $\pm 3^\circ$ | | | |
| .XX $\pm 2^\circ$ | SHEET | 1 OF 1 | |