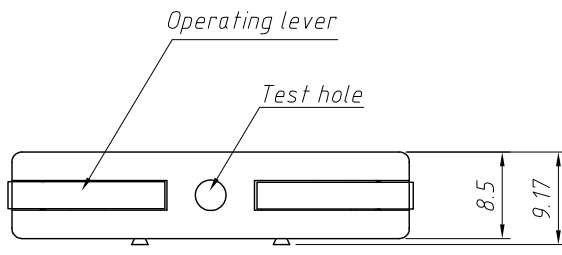
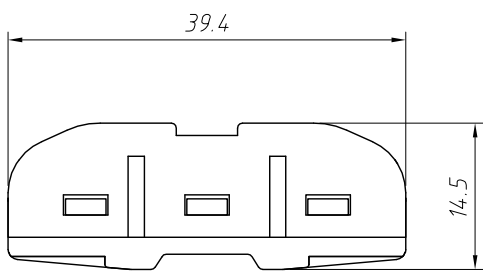
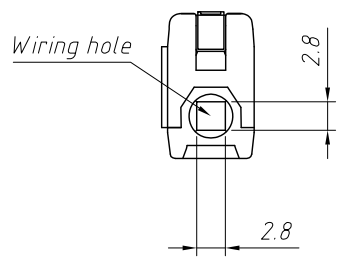
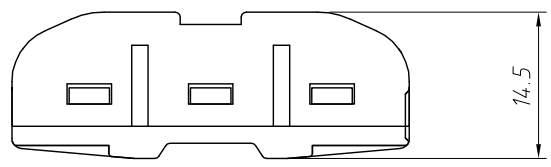
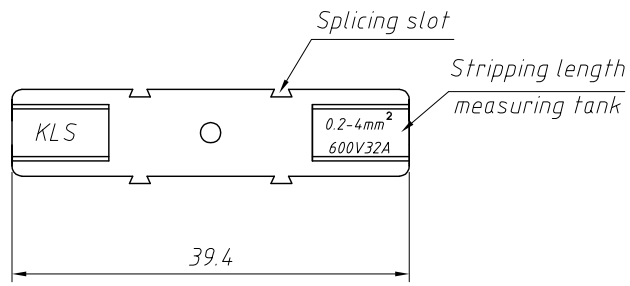


1
RoHS Compliance

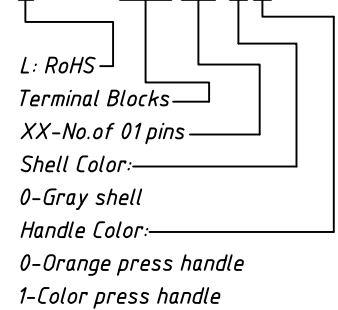


Electrical data:
Rated voltage (II / 2):250V / 600V
Rated impulse voltage (II / 2) :4 kV
Rated current :32 A
Legend (ratings):(II / 2)
Overvoltage category:II
Pollution degree:2

Connection data:
Connection technology:CAGE CLAMP®
Actuation type:Lever
Connectable conductor materials:Copper
Nominal cross section:2.5 mm²
Solid conductor:0.08~2.5 mm² / 28~12 AWG
Stranded conductor:0.08~2.5 mm² / 28~12 AWG
Fine-stranded conductor:0.08~4.0 mm² / 28~12 AWG
Strip length:9~10 mm / 0.35~0.39 Inch
Type of wiring:Side-entry wiring

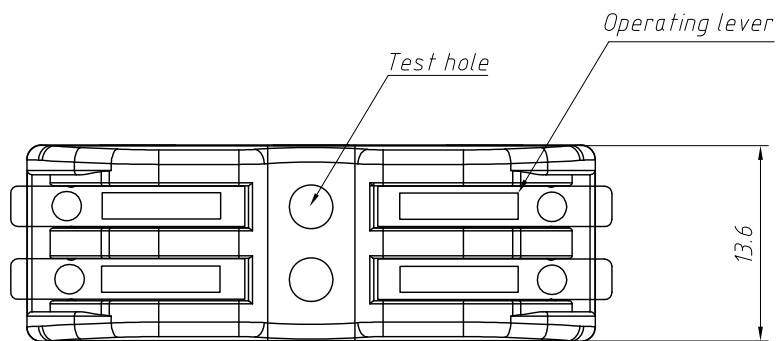
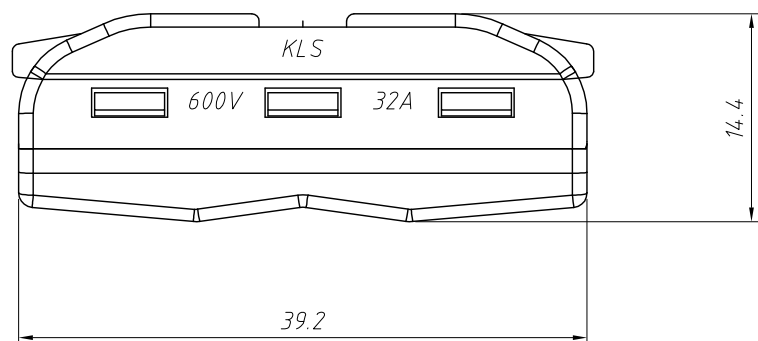
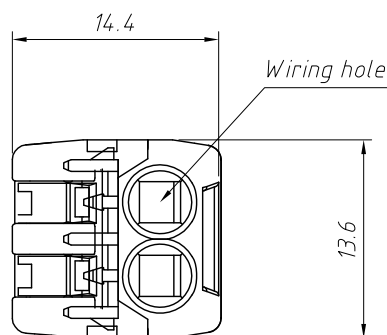
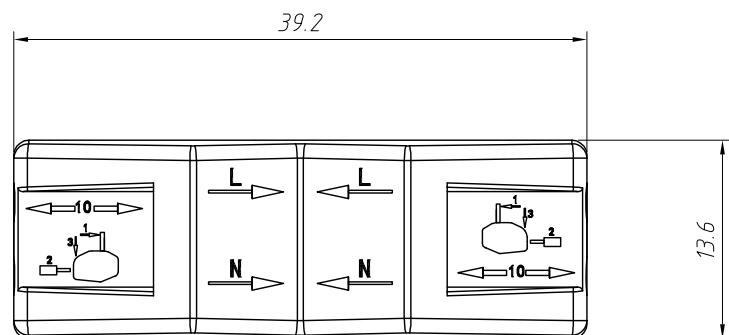
Material Data:
Color:Gray
Flammability class per UL94 V2

Order Information:
L-KLS2-282-01P-0 0



ANGLE TOLERANCE	PROJECTION	Description:	Wire Splice Connectors,28~12AWG
±3°			01 02 03 04 05 06 12 Pins
GENERAL TOLERANCE	UNITS	mm	KLS P/N: L-KLS2-282-01P-0
x.x ±0.30	SHEET SIZE	A4	NingBo KLS ELECTRONIC CO.,L TD.
x.xx ±0.20	Draw:	Daniel 2021-11-05	
x.xxx ±0.10	Check:	Daniel 2021-11-05	

1
RoHS Compliance

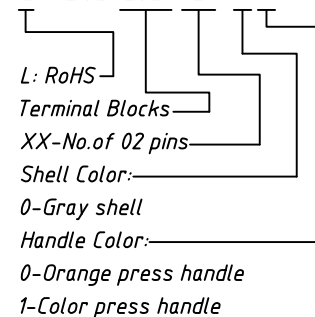


Electrical data:
 Rated voltage (II / 2): 250V / 600V
 Rated impulse voltage (II / 2): 4 kV
 Rated current : 32 A
 Legend (ratings): (II / 2)
 Overvoltage category: II
 Pollution degree: 2

Connection data:
 Connection technology: CAGE CLAMP®
 Actuation type: Lever
 Connectable conductor materials: Copper
 Nominal cross section: 2.5 mm²
 Solid conductor: 0.08 ~ 2.5 mm² / 28 ~ 12 AWG
 Stranded conductor: 0.08 ~ 2.5 mm² / 28 ~ 12 AWG
 Fine-stranded conductor: 0.08 ~ 4.0 mm² / 28 ~ 12 AWG
 Strip length: 9 ~ 10 mm / 0.35 ~ 0.39 Inch
 Type of wiring: Side-entry wiring

Material Data:
 Color: Gray
 Flammability class per UL 94 V2

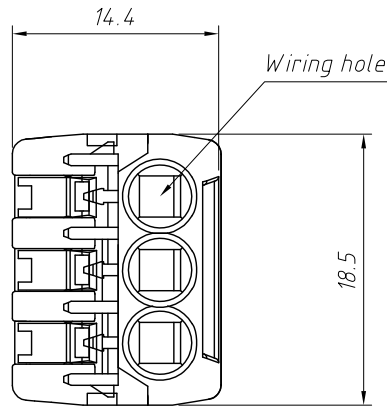
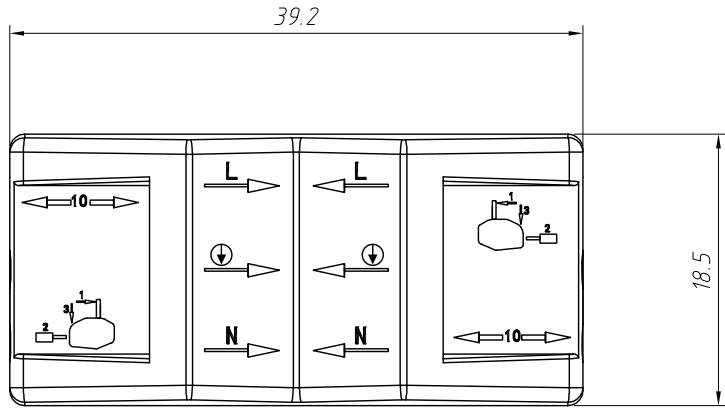
Order Information:
 L-KLS2-282-02P-0 0



ANGLE TOLERANCE	PROJECTION	Description:	Wire Splice Connectors, 28 ~ 12AWG	
±3°			01 02 03 04 05 06 12 Pins	
GENERAL TOLERANCE	UNITS	mm	KLS P/N: L-KLS2-282-02P-0	
x.x ±0.30	SHEET SIZE	A4		
x.xx ±0.20	Draw:	Daniel		2021-11-05
x.xxx ±0.10	Check:	Daniel		2021-11-05

NingBo KLS ELECTRONIC CO., L TD.

1
RoHS Compliance

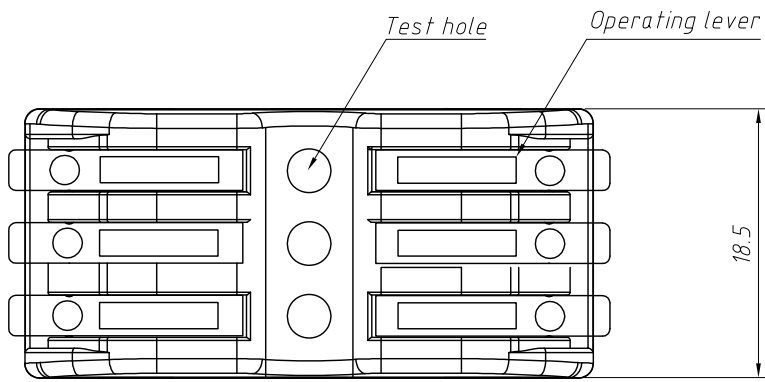
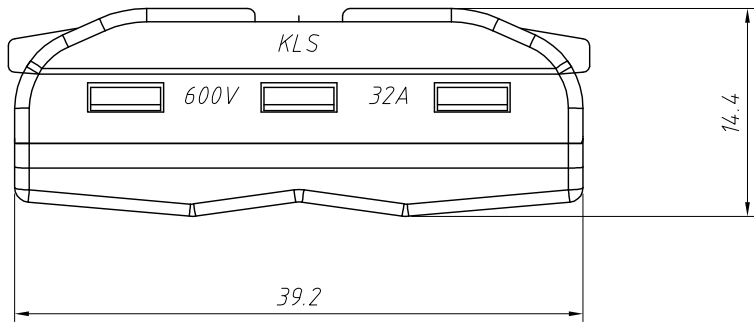
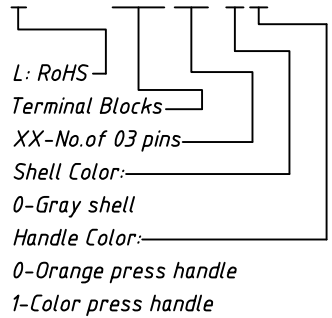


Electrical data:
 Rated voltage (II / 2): 250V / 600V
 Rated impulse voltage (II / 2) : 4 kV
 Rated current : 32 A
 Legend (ratings): (II / 2)
 Overvoltage category: II
 Pollution degree: 2

Connection data:
 Connection technology: CAGE CLAMP®
 Actuation type: Lever
 Connectable conductor materials: Copper
 Nominal cross section: 2.5 mm²
 Solid conductor: 0.08 ~ 2.5 mm² / 28 ~ 12 AWG
 Stranded conductor: 0.08 ~ 2.5 mm² / 28 ~ 12 AWG
 Fine-stranded conductor: 0.08 ~ 4.0 mm² / 28 ~ 12 AWG
 Strip length: 9 ~ 10 mm / 0.35 ~ 0.39 Inch
 Type of wiring: Side-entry wiring

Material Data:
 Color: Gray
 Flammability class per UL 94 V2

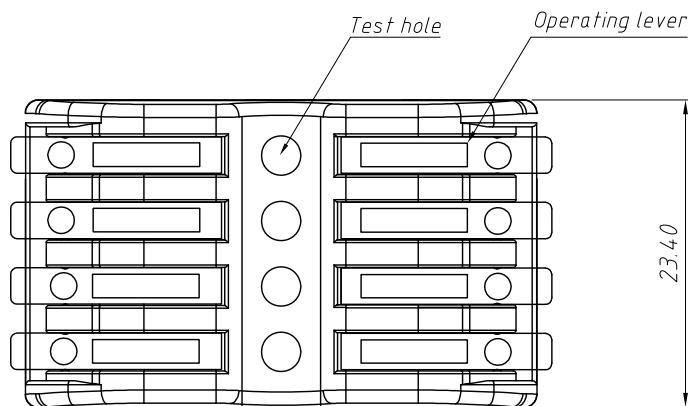
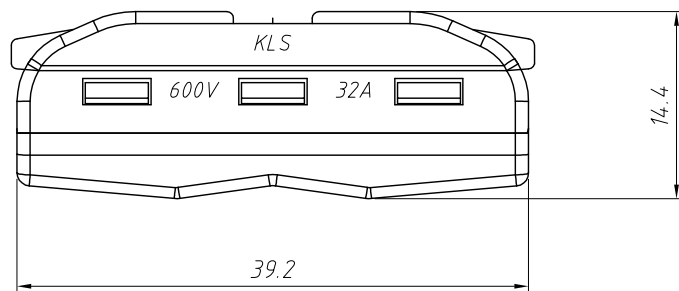
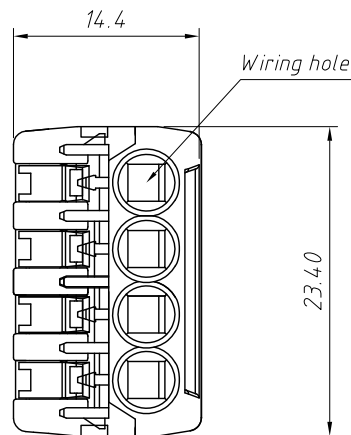
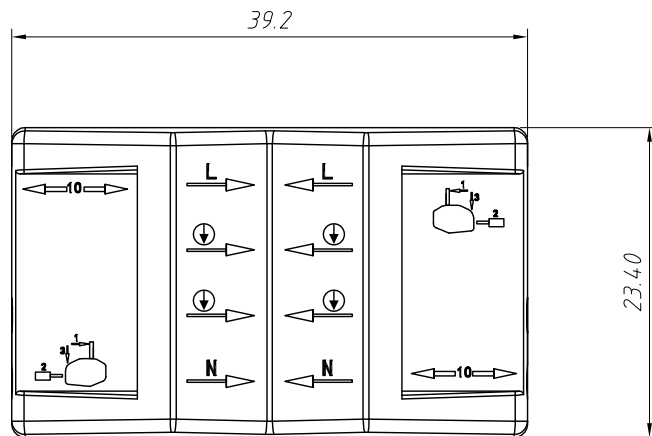
Order Information:
 L-KLS2-282-03P-0 0



ANGLE TOLERANCE	PROJECTION	Description:	Wire Splice Connectors, 28 ~ 12AWG	
±3°			01 02 03 04 05 06 12 Pins	
GENERAL TOLERANCE	UNITS	mm	KLS P/N: L-KLS2-282-03P-0	
x.x ±0.30	SHEET SIZE	A4		
x.xx ±0.20	Draw:	Daniel		2021-11-05
x.xxx ±0.10	Check:	Daniel		2021-11-05

KLS NingBo KLS ELECTRONIC CO., L TD.

1 RoHS Compliance

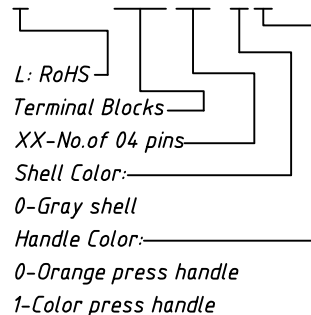


Electrical data:
 Rated voltage (II / 2): 250V / 600V
 Rated impulse voltage (II / 2): 4 kV
 Rated current : 32 A
 Legend (ratings): (II / 2)
 Overvoltage category: II
 Pollution degree: 2

Connection data:
 Connection technology: CAGE CLAMP®
 Actuation type: Lever
 Connectable conductor materials: Copper
 Nominal cross section: 2.5 mm²
 Solid conductor: 0.08 ~ 2.5 mm² / 28 ~ 12 AWG
 Stranded conductor: 0.08 ~ 2.5 mm² / 28 ~ 12 AWG
 Fine-stranded conductor: 0.08 ~ 4.0 mm² / 28 ~ 12 AWG
 Strip length: 9 ~ 10 mm / 0.35 ~ 0.39 Inch
 Type of wiring: Side-entry wiring

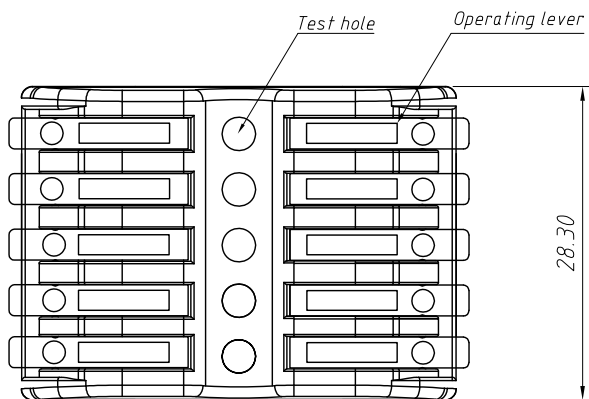
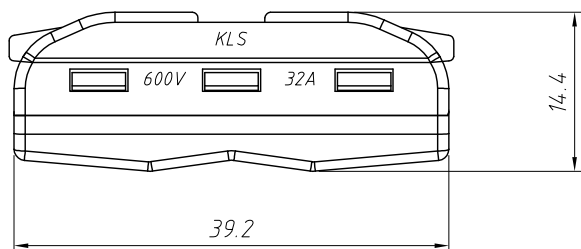
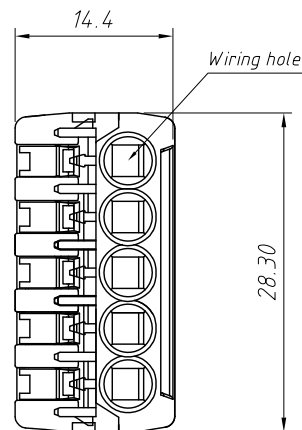
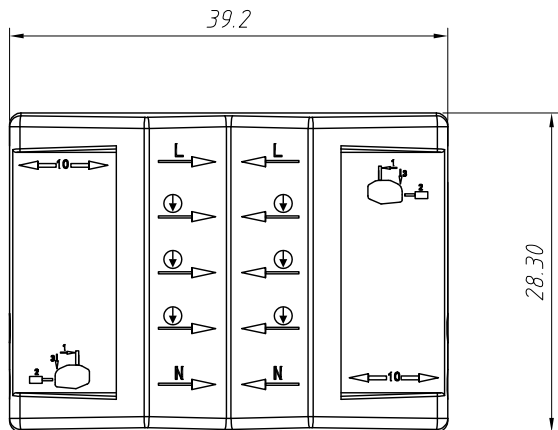
Material Data:
 Color: Gray
 Flammability class per UL 94 V2

Order Information:
 L-KLS2-282-04P-0 0



ANGLE TOLERANCE	PROJECTION	Description:	Wire Splice Connectors, 28 ~ 12AWG
±3°			01 02 03 04 05 06 12 Pins
GENERAL TOLERANCE	UNITS	mm	KLS P/N: L-KLS2-282-04P-0
x.x ±0.30	SHEET SIZE	A4	NingBo KLS ELECTRONIC CO.,L TD.
x.xx ±0.20	Draw:	Daniel 2021-11-05	
x.xxx ±0.10	Check:	Daniel 2021-11-05	

1
RoHS Compliance

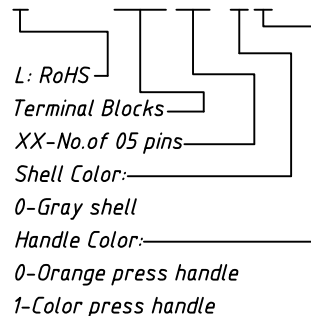


Electrical data:
 Rated voltage (II / 2): 250V / 600V
 Rated impulse voltage (II / 2): 4 kV
 Rated current : 32 A
 Legend (ratings): (II / 2)
 Overvoltage category: II
 Pollution degree: 2

Connection data:
 Connection technology: CAGE CLAMP®
 Actuation type: Lever
 Connectable conductor materials: Copper
 Nominal cross section: 2.5 mm²
 Solid conductor: 0.08 ~ 2.5 mm² / 28 ~ 12 AWG
 Stranded conductor: 0.08 ~ 2.5 mm² / 28 ~ 12 AWG
 Fine-stranded conductor: 0.08 ~ 4.0 mm² / 28 ~ 12 AWG
 Strip length: 9 ~ 10 mm / 0.35 ~ 0.39 Inch
 Type of wiring: Side-entry wiring

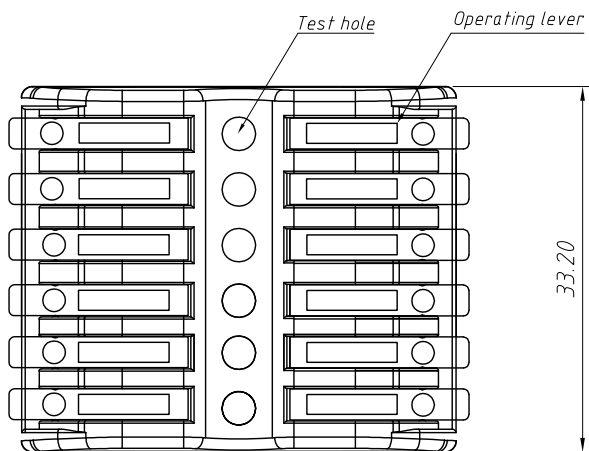
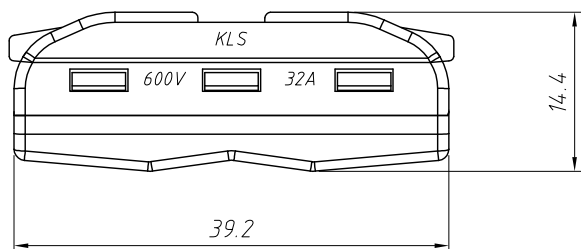
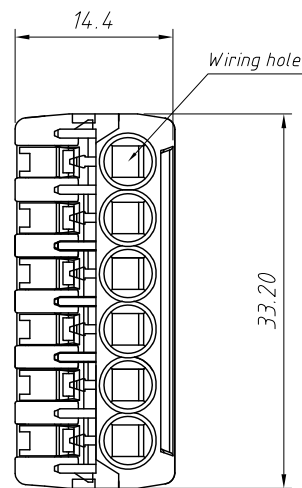
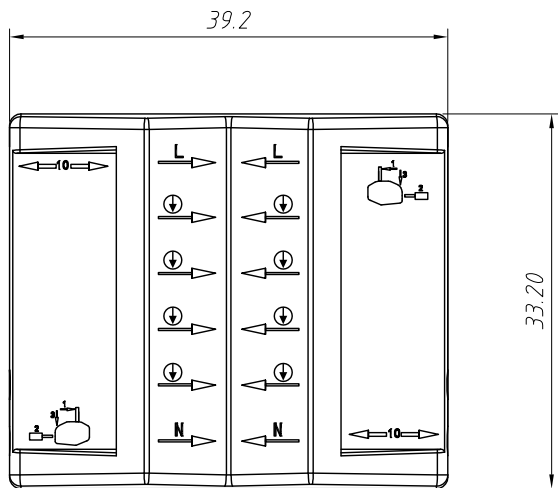
Material Data:
 Color: Gray
 Flammability class per UL 94 V2

Order Information:
 L-KLS2-282-05P-0 0



ANGLE TOLERANCE	PROJECTION	Description:	Wire Splice Connectors, 28 ~ 12AWG
±3°			01 02 03 04 05 06 12 Pins
GENERAL TOLERANCE	UNITS	mm	KLS P/N: L-KLS2-282-05P-0
x.x ±0.30	SHEET SIZE	A4	NingBo KLS ELECTRONIC CO., L TD.
x.xx ±0.20	Draw:	Daniel 2021-11-05	
x.xxx ±0.10	Check:	Daniel 2021-11-05	

1
RoHS Compliance



Electrical data:
 Rated voltage (II / 2): 250V / 600V
 Rated impulse voltage (II / 2): 4 kV
 Rated current : 32 A
 Legend (ratings): (II / 2)
 Overvoltage category: II
 Pollution degree: 2

Connection data:
 Connection technology: CAGE CLAMP®
 Actuation type: Lever
 Connectable conductor materials: Copper
 Nominal cross section: 2.5 mm²
 Solid conductor: 0.08 ~ 2.5 mm² / 28 ~ 12 AWG
 Stranded conductor: 0.08 ~ 2.5 mm² / 28 ~ 12 AWG
 Fine-stranded conductor: 0.08 ~ 4.0 mm² / 28 ~ 12 AWG
 Strip length: 9 ~ 10 mm / 0.35 ~ 0.39 Inch
 Type of wiring: Side-entry wiring

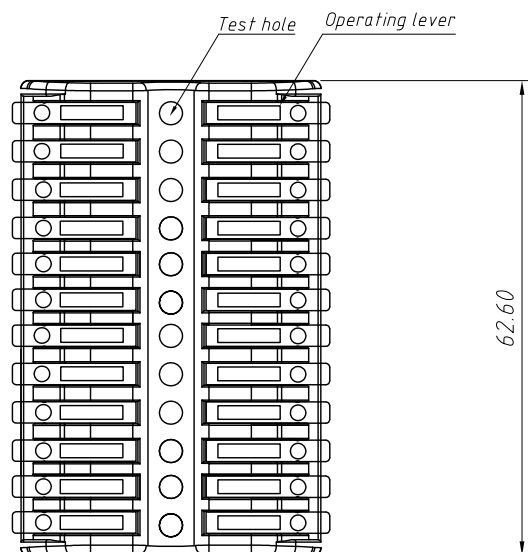
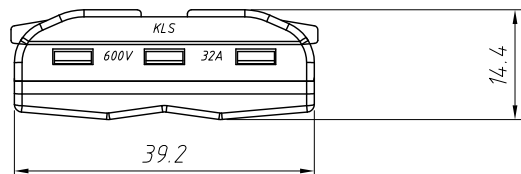
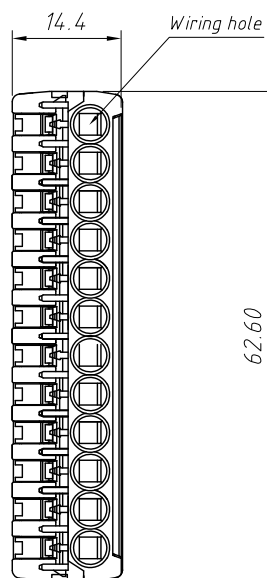
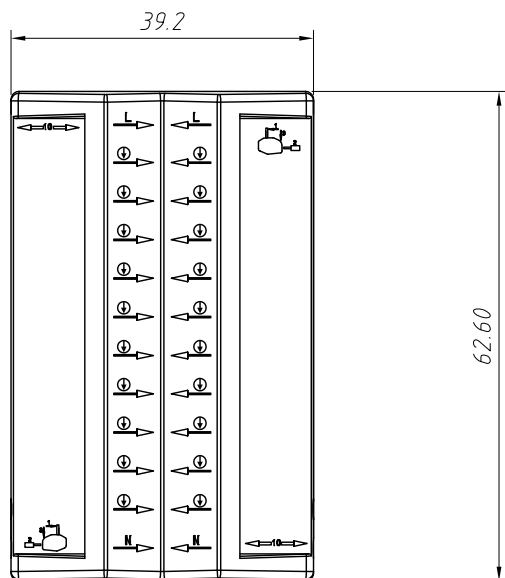
Material Data:
 Color: Gray
 Flammability class per UL 94 V2

Order Information:
 L-KLS2-282-06P-0 0

L: RoHS
 Terminal Blocks
 XX-No. of 06 pins
 Shell Color:
 0-Gray shell
 Handle Color:
 0-Orange press handle
 1-Color press handle

ANGLE TOLERANCE	PROJECTION	Description:	Wire Splice Connectors, 28 ~ 12AWG
±3°			01 02 03 04 05 06 12 Pins
GENERAL TOLERANCE	UNITS	mm	KLS P/N: L-KLS2-282-06P-0
x.x ±0.30	SHEET SIZE	A4	NingBo KLS ELECTRONIC CO., L TD.
x.xx ±0.20	Draw:	Daniel 2021-11-05	
x.xxx ±0.10	Check:	Daniel 2021-11-05	

1
RoHS Compliance



Electrical data:
 Rated voltage (II / 2): 250V / 600V
 Rated impulse voltage (II / 2): 4 kV
 Rated current : 32 A
 Legend (ratings): (II / 2)
 Overvoltage category: II
 Pollution degree: 2

Connection data:
 Connection technology: CAGE CLAMP®
 Actuation type: Lever
 Connectable conductor materials: Copper
 Nominal cross section: 2.5 mm²
 Solid conductor: 0.08 ~ 2.5 mm² / 28 ~ 12 AWG
 Stranded conductor: 0.08 ~ 2.5 mm² / 28 ~ 12 AWG
 Fine-stranded conductor: 0.08 ~ 4.0 mm² / 28 ~ 12 AWG
 Strip length: 9 ~ 10 mm / 0.35 ~ 0.39 Inch
 Type of wiring: Side-entry wiring

Material Data:
 Color: Gray
 Flammability class per UL 94 V2

Order Information:
 L-KLS2-282-12P-0 0

L: RoHS
 Terminal Blocks
 XX-No. of 12 pins
 Shell Color:
 0-Gray shell
 Handle Color:
 0-Orange press handle
 1-Color press handle

ANGLE TOLERANCE	PROJECTION	Description:	Wire Splice Connectors, 28 ~ 12AWG	
±3°			01 02 03 04 05 06 12 Pins	
GENERAL TOLERANCE	UNITS	mm	KLS P/N: L-KLS2-282-12P-0	
x.x ±0.30	SHEET SIZE	A4		
x.xx ±0.20	Draw:	Daniel		2021-11-05
x.xxx ±0.10	Check:	Daniel		2021-11-05

KLS NingBo KLS ELECTRONIC CO., L TD.