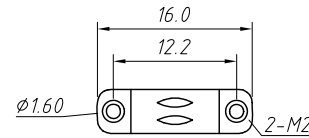
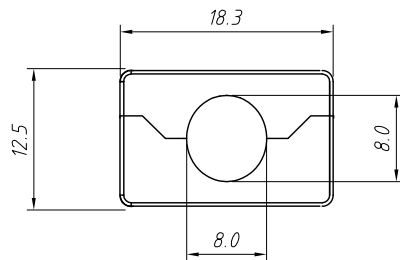
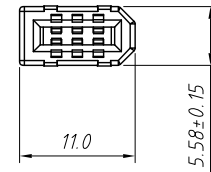
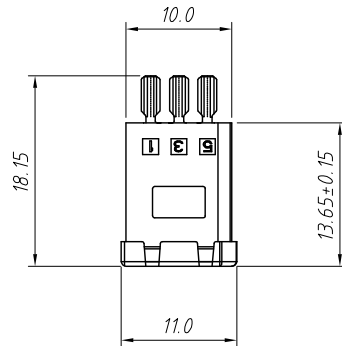
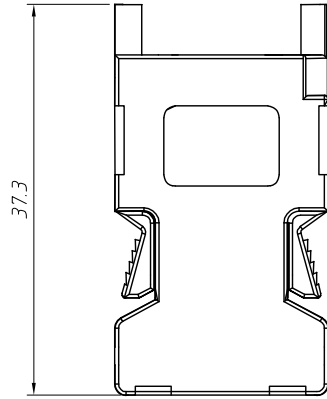
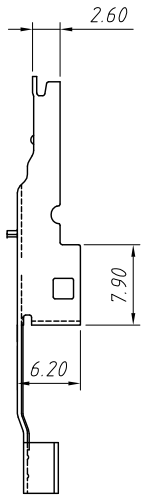
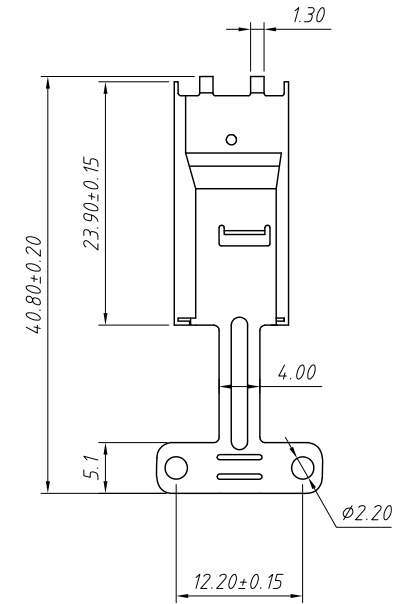
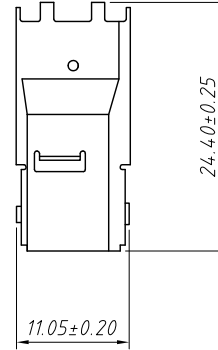
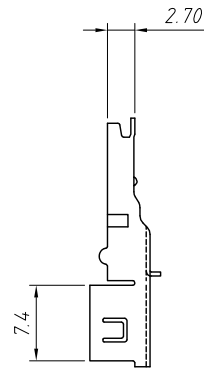
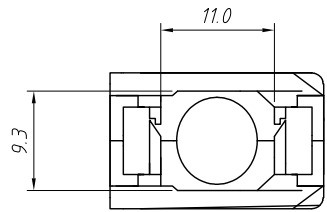


1 RoHS Compliance

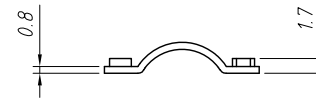
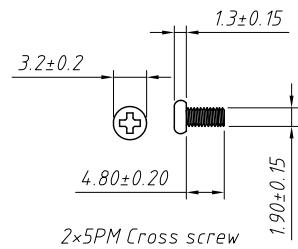
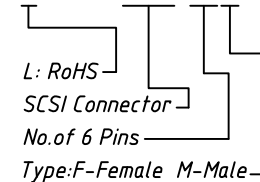


- Materials:**
- 1.Plastic:PBT+30%G.F,UL 94-V0,Black.
 - 2.Contact:Brass,Gold Flashed
 - 3.Shell:Gold Rolled Steel,Nickel Plashed
 - 4.Cover:PBT+30%G.F,Black.
 - 5.Hood:ABS+30%G.F,Gray.
 - 6.Wrench spring:Stainless steel
 - 7.Screw:Stainless steel

- Electrical:**
- Current Rating: 1 A
 - Voltage Rating: 150 VAC / 200 VDC
 - Insulation Resistance: > 5 X 10⁸ Ω at @ 500 VDC
 - With standing Voltage: 500 VRMS for 1 minute
 - Temperature Rating: -55°C to +85°C

Order Information:

L-KLS1-1394-6PM



| ANGLE TOLERANCE | PROJECTION | Description: | |
|-------------------|------------|--|-----------------|
| ±3° | | I/O Interconnect System 2.0 mm for IEEE 1394 6P Male | |
| GENERAL TOLERANCE | UNITS | mm | KLS P/N: |
| x.x ±0.30 | SHEET SIZE | A4 | L-KLS1-1394-6PM |
| x.xx ±0.20 | Draw: | Daniel | 2021-10-11 |
| x.xxx ±0.10 | Check: | Daniel | 2021-10-11 |



NingBo KLS ELECTRONIC CO.,L TD.