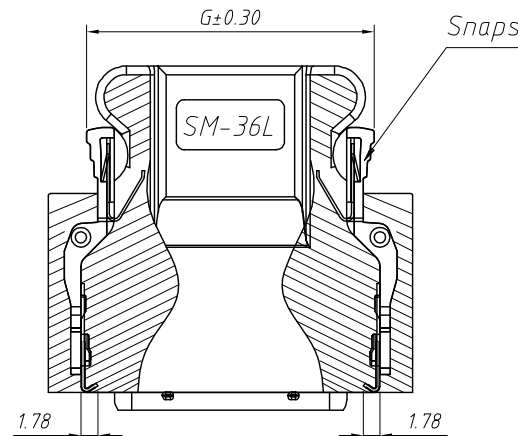
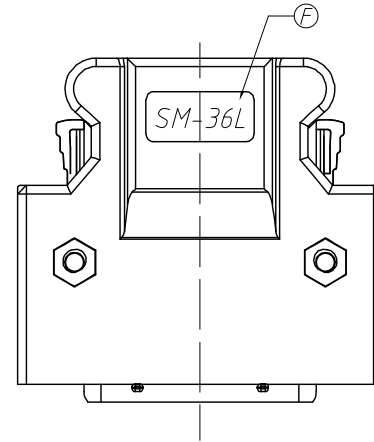
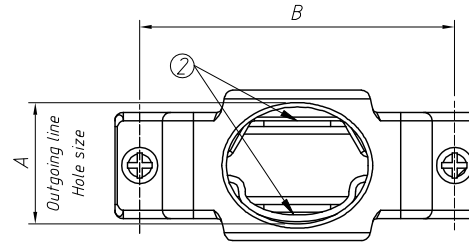
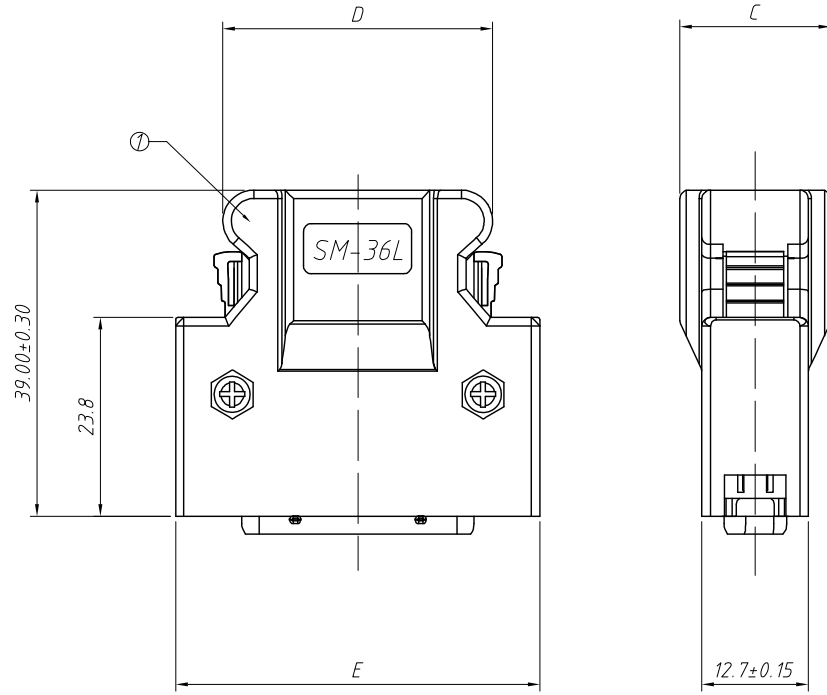


1 RoHS Compliance



Plastic Shell Material:

1. Plastic Shell: PBT, UL 94V-0
2. Clamp: SPCC
3. Cover: PBT, UL 94V-0
4. Housing: PBT, UL 94V-0
5. Cover Pins: Copper Alloy, Gold Plating or Nickel
6. Shell: SPCC, Gold Plating or Nickel

Order Information:

L-KLS1-MDRL36

L: RoHS
SCSI Connector
Serial Number
No. of 14 ~ 50 Pins

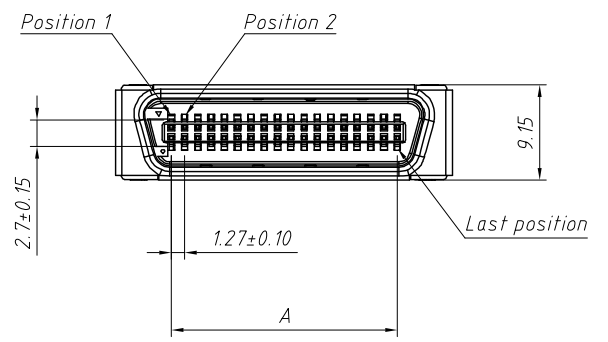
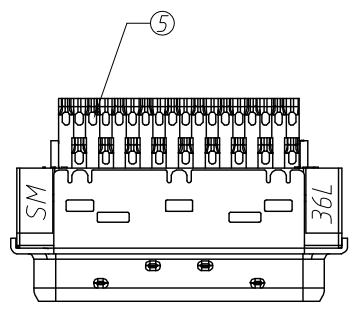
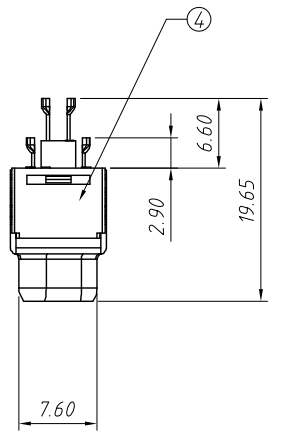
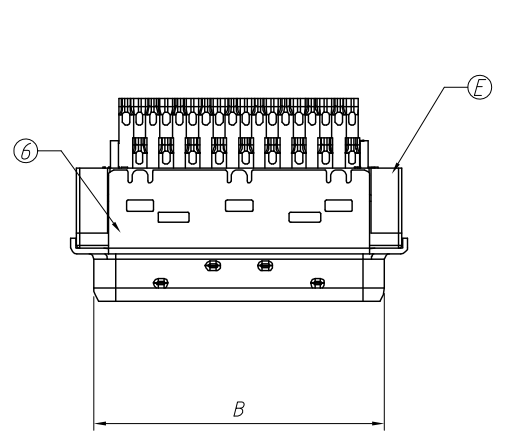
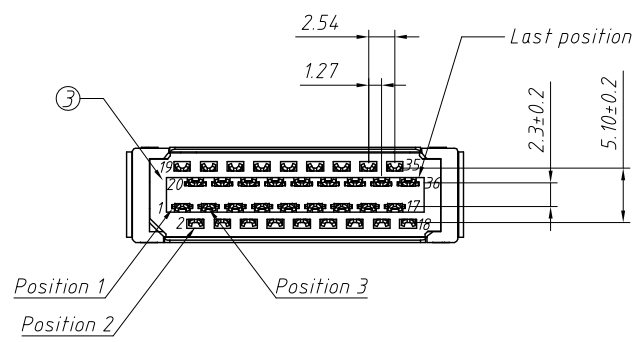
No. of Pin	DIMENSIONS						
	A	B	C	D	E	G	F(Printing)
14	7.00	23.60	12.70	18.20	29.50	20.34	SM-14L
20	10.00	27.40	14.00	22.05	33.35	24.19	SM-20L
26	10.00	31.30	14.00	25.86	37.16	28.00	SM-26L
36	10/14	37.61	18.00	32.21	43.51	34.35	SM-36L
50	14.00	46.50	18.00	41.10	52.40	43.24	SM-50L

ANGLE TOLERANCE	PROJECTION	Description:	SCSI Connector CN Type Male Solder Plastic Hood with Latch Clip
±3°			
GENERAL TOLERANCE	UNITS	mm	KLS P/N: L-KLS1-MDRL
x.x ±0.30	SHEET SIZE	A4	
x.xx ±0.20	Draw:	Daniel	2021-10-11
x.xxx ±0.10	Check:	Daniel	2021-10-11



NingBo KLS ELECTRONIC CO.,LTD.

1 RoHS Compliance



- Electrical:**
- 1.Contact Resistance:35mΩ Max.
 - 2.Insulation Resistance:200MΩ Min.at 500V DC
 - 3.Contact Current Rating:1 Amp AC/DC
 4. Voltage Rating:40V AC
 - 5.Withstanding Voltage:500V AC For 1 Minute
 - 6.Wire Accommodation:24 26 28 &30 AWG

- Materials:**
- 1.Insulator:PBT,UL 94 V-0,Black.
 - 2.Contact:Phosphor bronze,T=0.30
 - 3.Shroud:SPCC
 - 4.Contact Area Plated:Sn over Nickel 50u"
 - 5.Solder Area Plated:Tin Plated

- Environmental:**
1. Operation: -40°C ~ 105°C

No. of Pin	DIMENSIONS		
	A	B	E(Printing)
14	7.62	13.80	14L
20	11.43	17.61	20L
26	15.24	21.42	26L
36	21.59	27.77	36L
50	30.48	36.66	50L

Order Information:
 L-KLS1-MDRL36
 L: RoHS
 SCSI Connector
 Serial Number
 No. of 14 ~ 50 Pins

ANGLE TOLERANCE	PROJECTION	Description:
±3°		SCSI Connector CN Type Male Solder Plastic Hood with Latch Clip
GENERAL TOLERANCE	UNITS	mm
x.x ±0.30	SHEET SIZE	A4
x.xx ±0.20	Draw:	Daniel 2021-10-11
x.xxx ±0.10	Check:	Daniel 2021-10-11

NingBo KLS ELECTRONIC CO.,L TD.