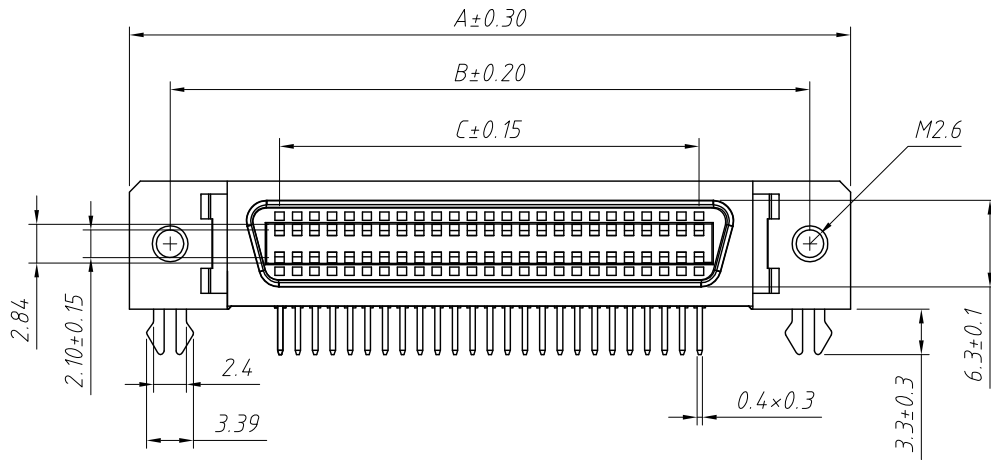


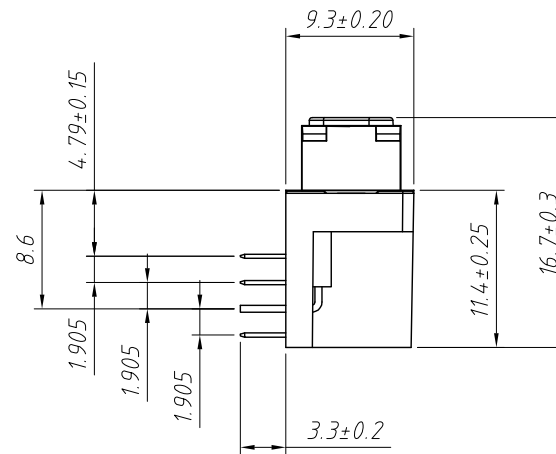
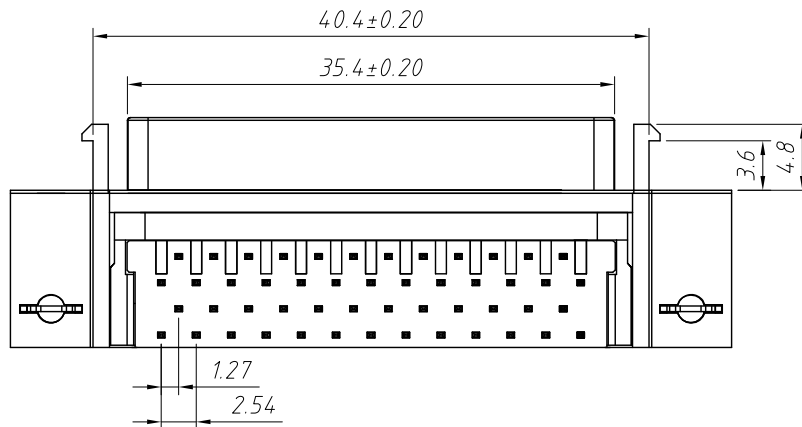
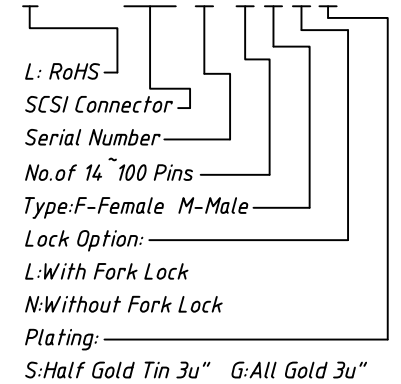
RoHS Compliance



No. of Pin	DIMENSIONS				
	A	B	C	D	E
14	29.54	23.64	7.62	17.54	12.54
20	33.35	27.45	11.43	21.35	16.35
26	37.16	31.26	15.24	25.16	20.16
36	43.51	37.61	21.59	31.51	26.51
50	52.40	46.50	30.48	40.40	35.40
68	63.83	57.93	41.91	51.83	46.83
100	84.15	78.25	62.23	71.15	67.15

Order Information:

L-KLS1-SCSI-04-50 F L S



Electrical:

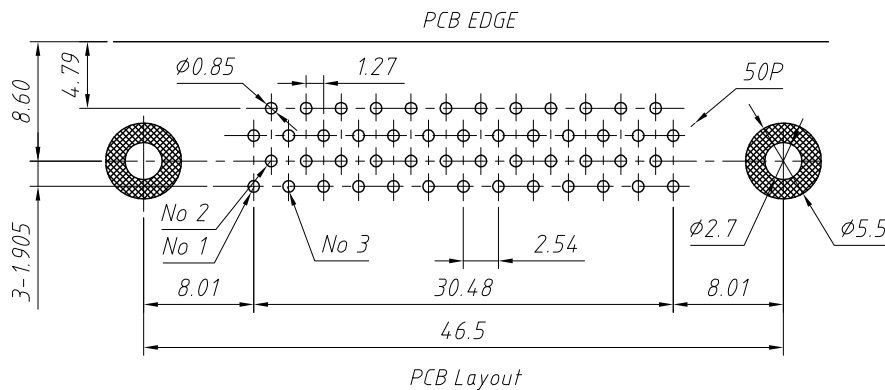
1. Voltage Rating: 250VAC
2. Current Rating: 1.0A
3. Contact Resistance: 30m Ω Max.
4. Insulation Resistance: 500M Ω Min. @ 500VDC
5. Withstanding Resistance: 500VAC RMS. 50Hz 1minute

Materials:

1. Housing: Thermoplastic, PBT, UL 94V-0
2. Contact: Copper Alloy
3. Plating: Gold Plating over nickel in contact, Tin Plating over nickel in solder area
4. Shell: Zinc Alloy, Nickel Plated

Environmental:

1. OPERATION: -40°C ~ 105°C



ANGLE TOLERANCE	PROJECTION	Description:
$\pm 3^\circ$		SCSI Connector CN Type Female R/A PCB Mount
GENERAL TOLERANCE	UNITS	mm
x.x ± 0.30	SHEET SIZE	A4
x.xx ± 0.20	Draw:	Daniel 2021-10-11
x.xxx ± 0.10	Check:	Daniel 2021-10-11



NingBo KLS ELECTRONIC CO.,LTD.