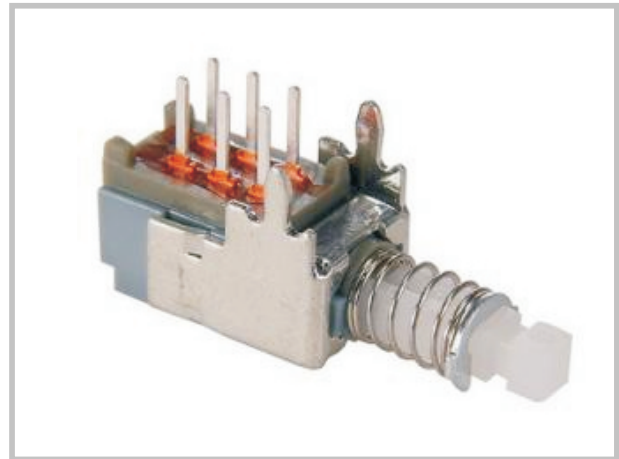


Push Switch Series

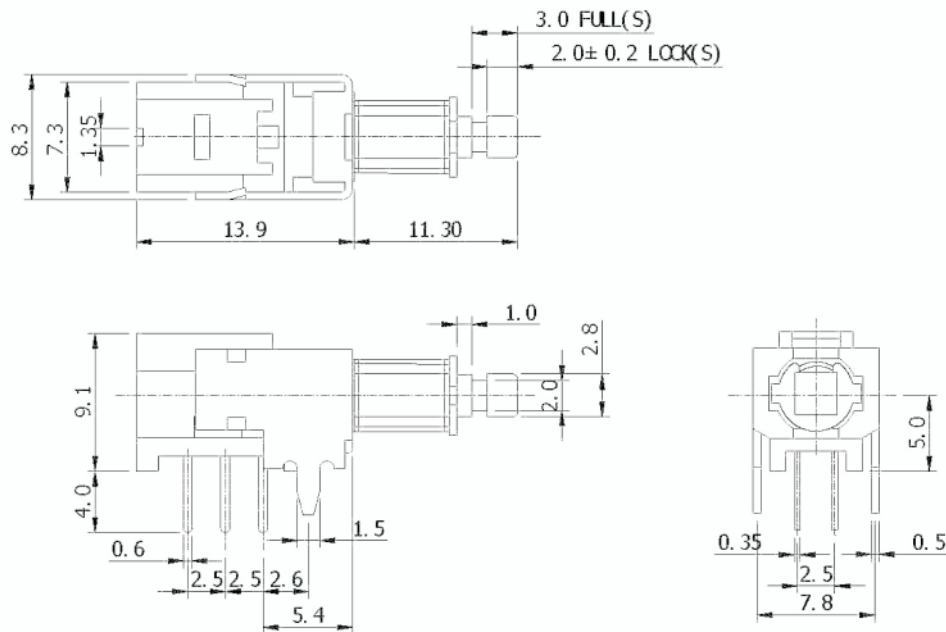
KLS7-PS-909-6B Push Switch Series

ELECTRICAL

Rating: 0.1A 30V DC
 PIN Pitch: 2.5mm
 Operating Force: 230 ± 50gf
 Insulation Resistance: 100 MΩ Min. 250V DC
 Contact Resistance: 50MΩ Max.
 Withstand Voltage: AC 250V 1 Minute
 Operating Temperature: -10°C ~ +60°C
 Mechanical Life: 30,000 cycles
 Electrical Life: 10,000 cycles
FUNCTION:
 L = Lock Type
 N = Non Lock Type



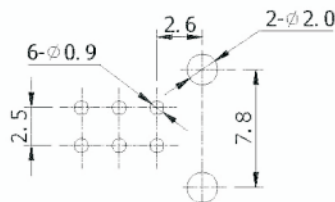
VII



SCHEMATIC



P. C. B HOLE DETAIL



ORDER INFORMATION

