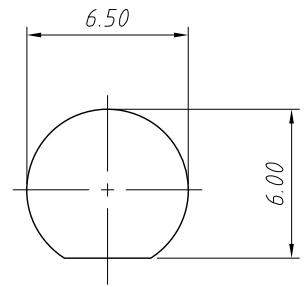
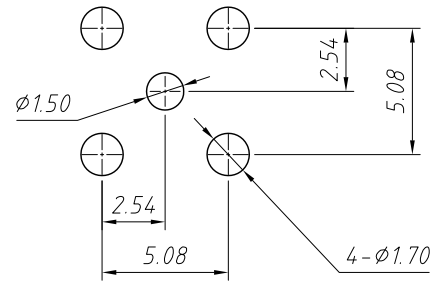
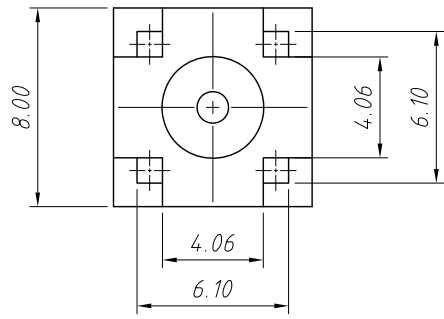
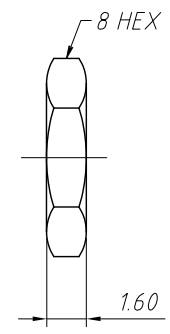
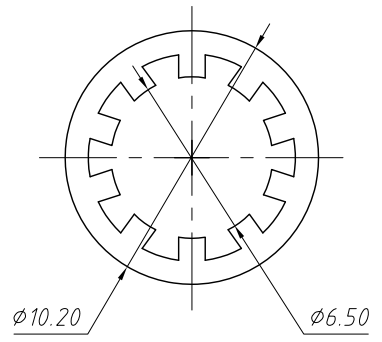
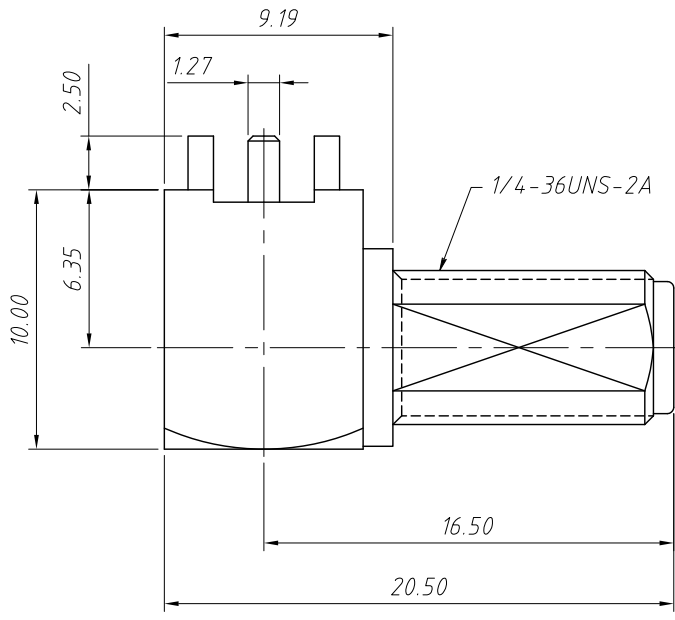


1  
RoHS Compliance



Recommended Mounting Hole

PCB Mounting Hole



Material:  
 Housing/Body: Brass, Gold Plating  
 Contact Pin: Ber. Copper, Gold Plating  
 Insulator: Teflon, Natural  
 Lock Washer: Brass, Gold Plating  
 Hex Nut: Brass, Gold Plating

Electrical Specifications:  
 Impedance: 50Ω

Mechanical Specifications:  
 Durability: 500 Cycles Min.  
 Temperature Range: -65°C to +165°C

ANGLE TOLERANCE	PROJECTION	Description:	PCB Mount SMA Connector Right Angle (Jack, Female, 50Ω)	
±3°				
GENERAL TOLERANCE	UNITS	mm	KLS P/N: L-KLS1-SMA-KYWE-8-20	
x.x ±0.30	SHEET SIZE	A4	NingBo KLS ELECTRONIC CO.,L TD.	
x.xx ±0.20	Draw:	Daniel		2020-11-11
x.xxx ±0.10	Check:	Daniel		2020-11-11