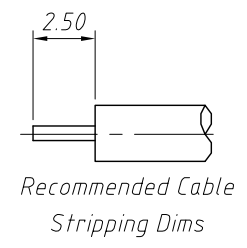
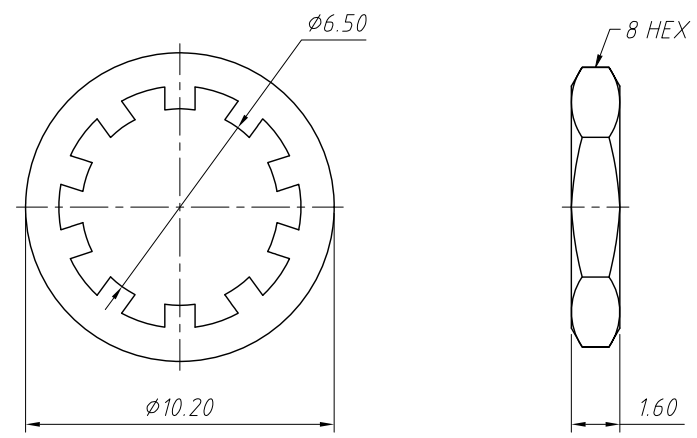
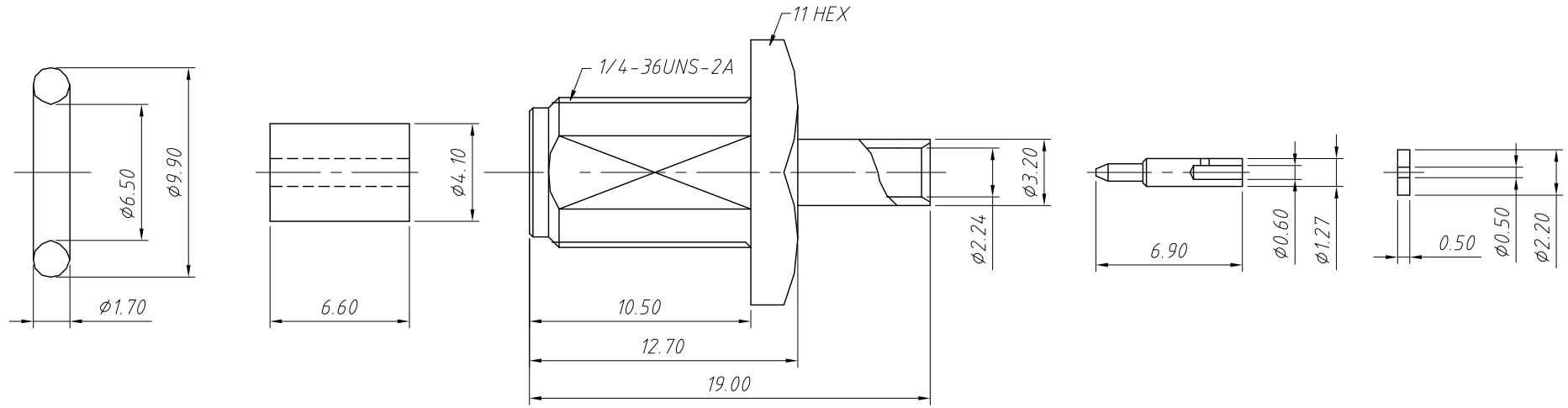


1
RoHS Compliance



Material:
 Body: Brass, Gold Plating
 Contact Pin: Brass, Gold Plating
 Insulator: Teflon, Natural
 Gasket: Silicon Rubber, Red
 Lock Washer: Brass, Gold Plating
 Ferrule: Brass, Gold Plating

Electrical Specifications:
 Impedance: 50Ω

Mechanical Specifications:
 Durability: 500 Cycles Min.
 Temperature Range: -65°C to $+165^{\circ}\text{C}$

ANGLE TOLERANCE	PROJECTION	Description:	Panel Mount SMA Cable Connector Straight (Jack, Male, 50Ω)
$\pm 3^{\circ}$			
GENERAL TOLERANCE	UNITS	mm	KLS P/N: L-KLS1-SMA148
x.x ± 0.30	SHEET SIZE	A4	
x.xx ± 0.20	Draw:	Daniel	2020-11-11
x.xxx ± 0.10	Check:	Daniel	2020-11-11

