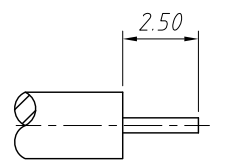
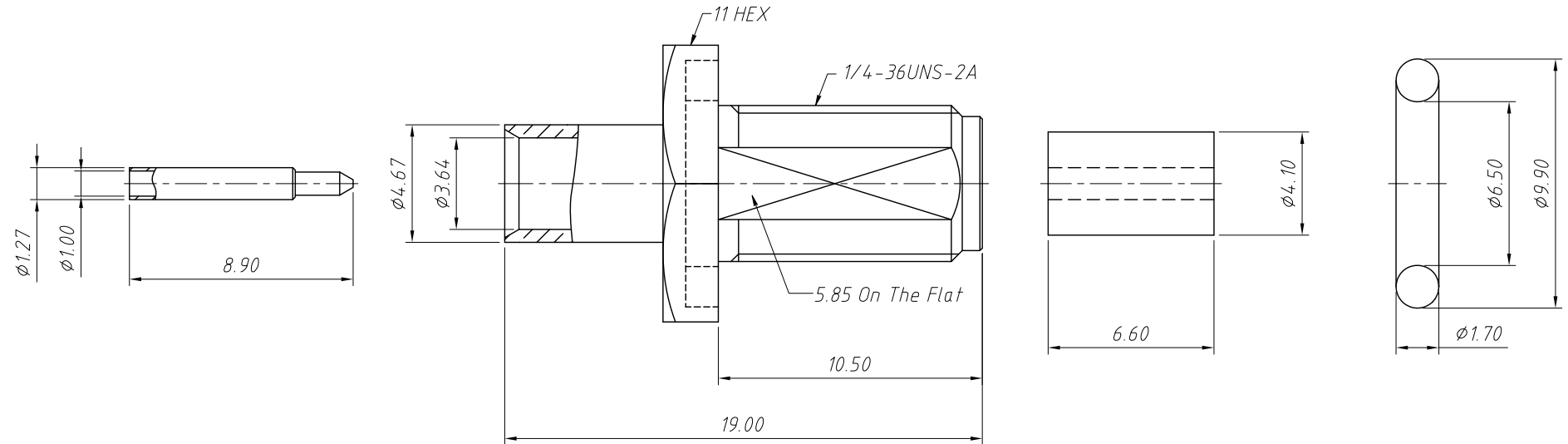
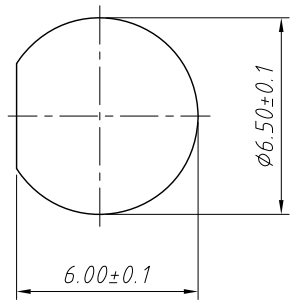


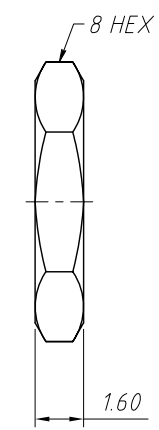
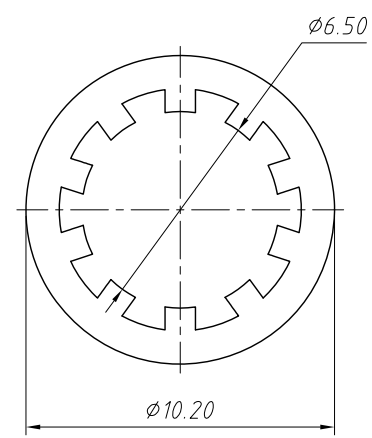
1  
RoHS Compliance



Recommended Cable Stripping Dims



Recommended Mounting Hole



**Material:**  
 Body: Brass, Gold Plating  
 Contact Pin: Brass, Gold Plating  
 Insulator: PTFE, Natural  
 Gasket: Silicon Rubber, Red  
 Lock Washer: Brass, Gold Plating  
 Hex Nut: Brass, Gold Plating

**Electrical Specifications:**  
 Impedance: 50Ω

**Mechanical Specifications:**  
 Durability: 500 Cycles Min.  
 Temperature Range: -65°C to +165°C

ANGLE TOLERANCE	PROJECTION	Description:	Panel Mount SMA Cable Connector Straight (Jack, Male, 50Ω)
±3°			
GENERAL TOLERANCE	UNITS	mm	KLS P/N: L-KLS1-SMA147
x.x ±0.30	SHEET SIZE	A4	NingBo KLS ELECTRONIC CO.,L TD.
x.xx ±0.20	Draw:	Daniel 2020-11-11	
x.xxx ±0.10	Check:	Daniel 2020-11-11	