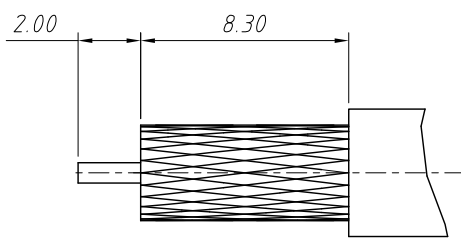
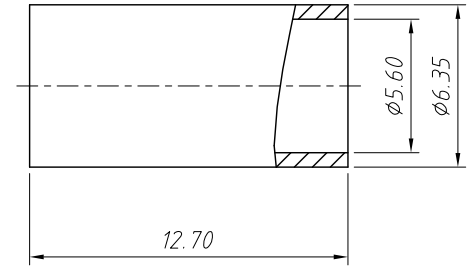
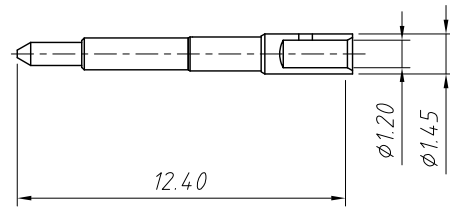
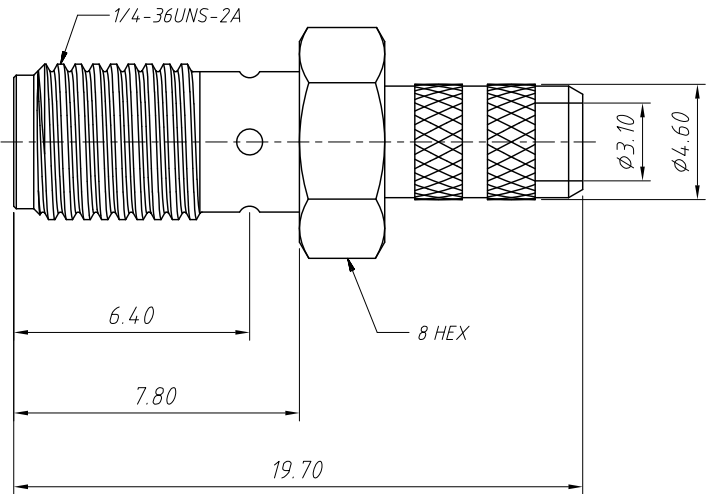


1  
RoHS Compliance



Recommended Cable Stripping Dims

Material:  
Body:Brass,Gold Plating  
Contact Pin:Brass,Gold Plating  
Insulator:PTFE,Natural  
Ferrule:Copper,Gold Plating

Electrical Specifications:  
Impedance:50Ω

Mechanical Specifications:  
Durability:500 Cycles Min.  
Temperature Range: -65°C to +165°C

ANGLE TOLERANCE	PROJECTION	Description:	Panel Mount SMA Cable Connector Straight (Jack, Male, 50Ω)
±3°			
GENERAL TOLERANCE	UNITS	mm	KLS P/N: L-KLS1-SMA14.0
x.x ±0.30	SHEET SIZE	A4	
x.xx ±0.20	Draw:	Daniel	2020-11-11
x.xxx ±0.10	Check:	Daniel	2020-11-11



NingBo KLS ELECTRONIC CO.,L TD.