

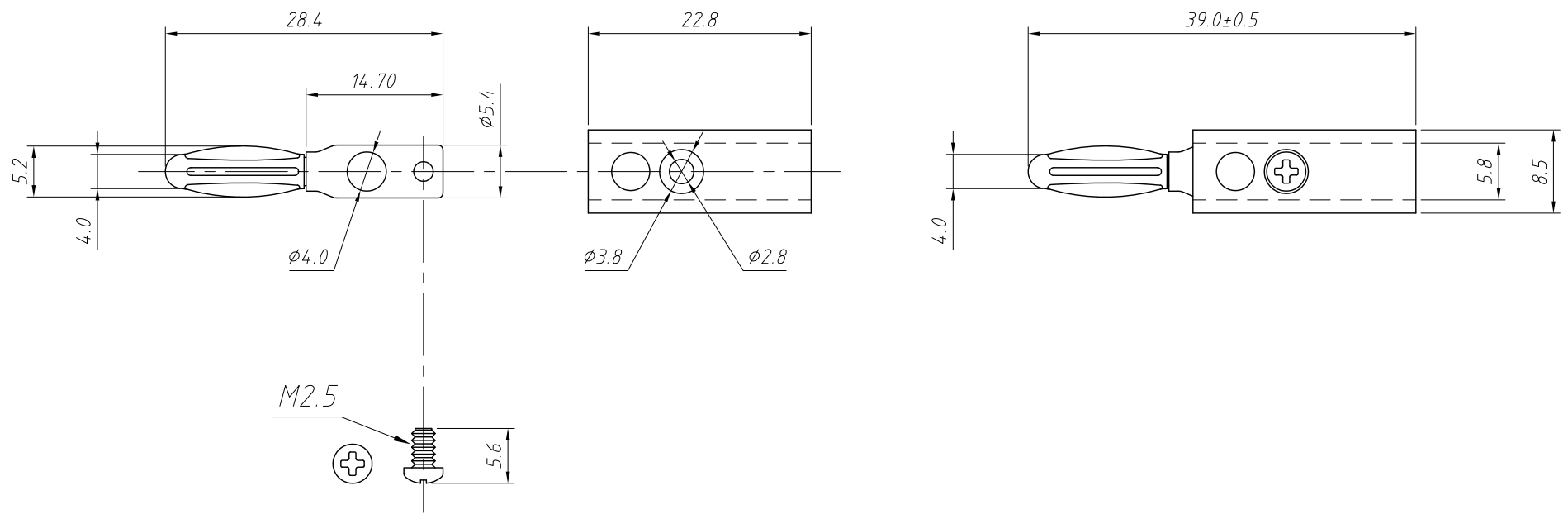
**Order Information:**  
**L-KLS1-BAP-010B-G-Y**

L: RoHS  
 Banana plug  
 Serial number  
 Plating:  
 G-Imitation gold  
 N-Nickel Plated  
 Color: B-Black  
 G-Green, L-Blue,  
 R-Red, Y-Yellow

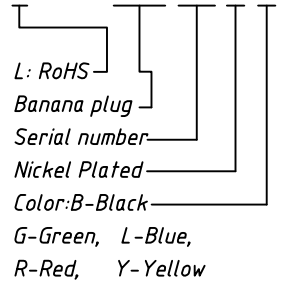
**Note:**  
 GT6020, Nickel Plated, Black

GENERAL TOLERANCE	PROJECTION		Description:
X. $\pm 0.50$	UNITS	mm	4mm Banana plug
.X $\pm 0.25$	SCALE	1:1.5	
.XX $\pm 0.10$	Draw by:	Jenny	
ANGLE TOLERANCE	Check by:		KLS P/N: L-KLS1-BAP-010B-G-Y
X. $\pm 5^\circ$	Date	2021-04-15	NingBo KLS ELECTRONIC CO.,L TD.
.X $\pm 3^\circ$	SHEET	1 OF 1	
.XX $\pm 2^\circ$			

1  
RoHS Compliance



Order Information:  
L-KLS1-BAP-010-N-B



Note:  
RoHS JT-1887, Nickel Plated, Black

GENERAL TOLERANCE	PROJECTION		Description:
X. ±0.50	UNITS	mm	4mm Banana plug
.X ±0.25	SCALE	1:1.5	
.XX ±0.10	Draw by:	Jenny	KLS P/N: L-KLS1-BAP-010-N-B
ANGLE TOLERANCE	Check by:		NingBo KLS ELECTRONIC CO.,L TD.
X. ±5°	Date	2021-04-15	
.X ±3°	SHEET	1 OF 1	
.XX ±2°			