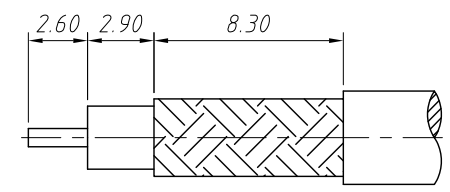
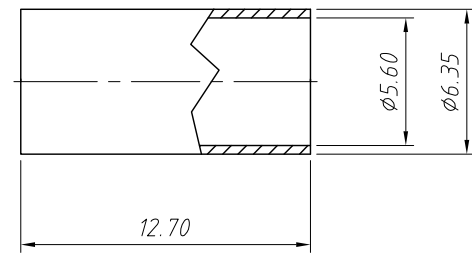
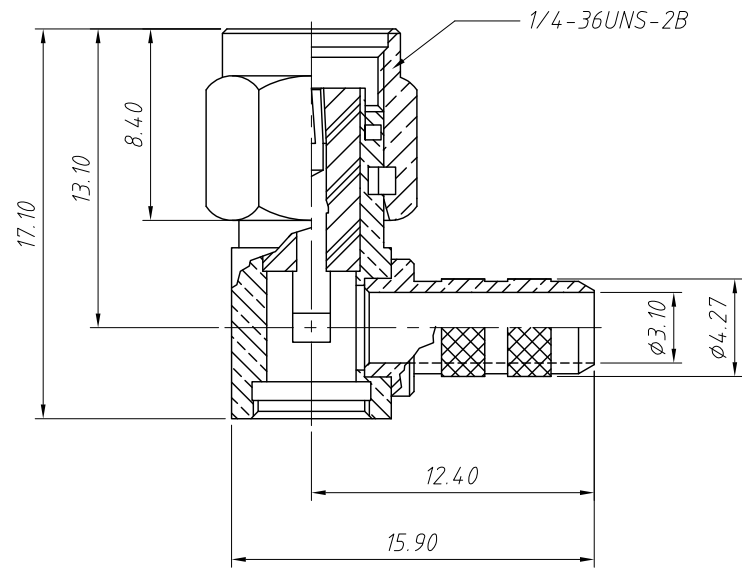
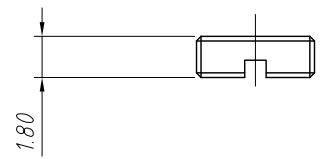


1
RoHS Compliance



Recommended Cable Stripping Dims

Material:
 Housing With Body: Brass, Gold Plating
 Contact Pin: Ber. Copper, Gold Plating
 Insulator: PTFE, Natural
 Shell: Brass, Gold Plating
 Retainer Ring: Ber. Copper, Natural
 Gasket: Silicone, Red
 Cover: Brass, Gold Plating
 Ferrule: Copper, Gold Plating

Electrical Specifications:
 Impedance: 50Ω

Mechanical Specifications:
 Durability: 500 Cycles Min.
 Temperature Range: -65°C to +165°C

ANGLE TOLERANCE	PROJECTION	Description:	SMA Cable Connector Right Angle (Plug, Female, 50Ω)	
±3°				
GENERAL TOLERANCE	UNITS	mm	KLS P/N:	L-KLS1-SMA135
x.x ±0.30	SHEET SIZE	A4		
x.xx ±0.20	Draw:	Daniel	2020-11-11	NingBo KLS ELECTRONIC CO.,L TD.
x.xxx ±0.10	Check:	Daniel	2020-11-11	