

1
RoHS Compliance

2

3

4

5

6

7

8

A

A

B

B

C

C

D

D

E

E

F

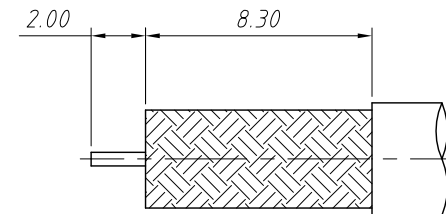
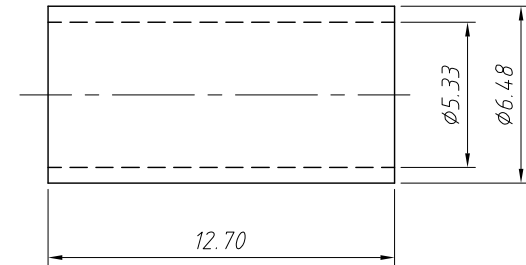
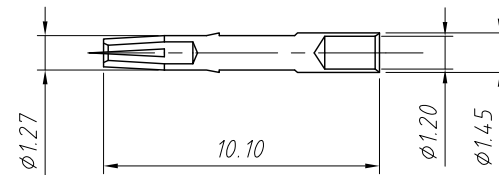
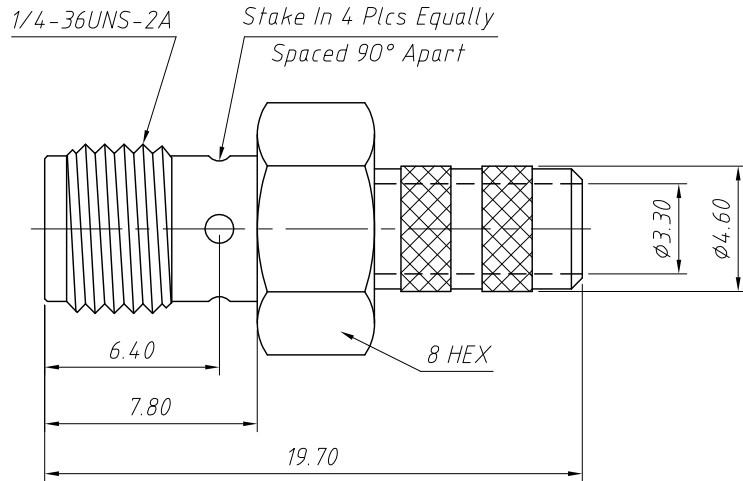
F

G

G

H

H



Material:
Body: Brass, Gold Plating
Insulator: TEFLON, Natural
Contact Pin: Ber. Copper, Gold Plating
Ferrule: Copper, Gold Plating

Electrical:
Impedance: 50Ω

Mechanical:
Durability: 500 Cycles Min.
Temperature Range: -65°C to +165°C

ANGLE TOLERANCE	PROJECTION	Description:	Panel Mount SMA Cable Connector Straight (Jack, Female, 50Ω)	
±3°				
GENERAL TOLERANCE	UNITS	mm	KLS P/N:	L-KLS1-SMA115
x.x ±0.30	SHEET SIZE	A4		
x.xx ±0.20	Draw:	Daniel	2020-11-11	 NingBo KLS ELECTRONIC CO., L TD.
x.xxx ±0.10	Check:	Daniel	2020-11-11	

1

2

3

4

5

6

7

8