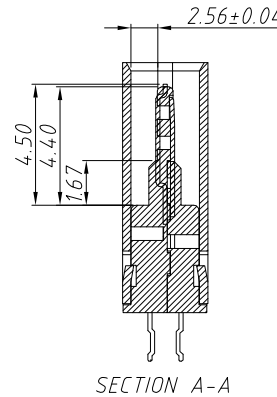
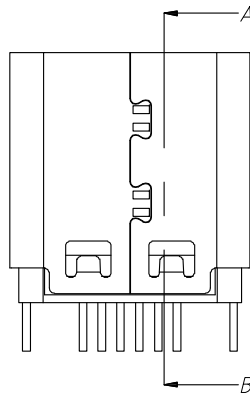
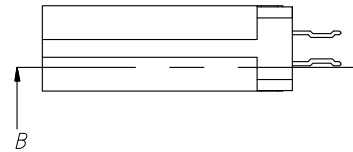
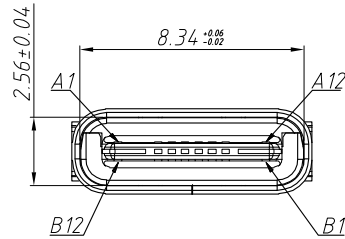
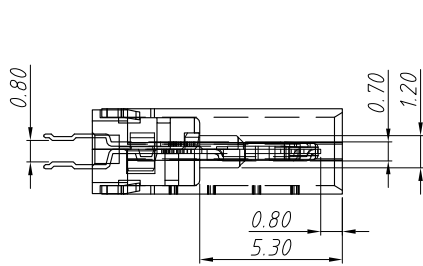
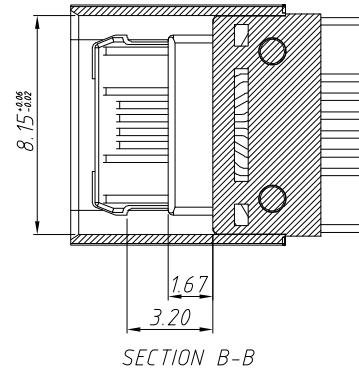
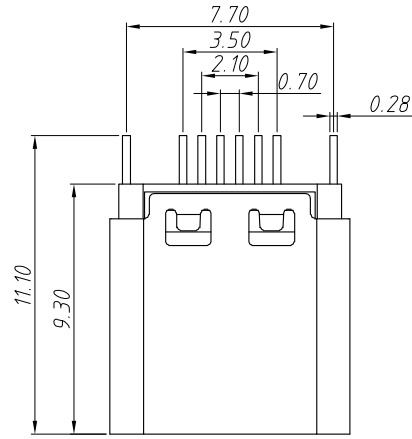


Pin Assignment:

Pin No.	Signal Name	Pin No.	Signal Name
A1	CND	B12	CND
A2		B11	
A3		B10	
A4	VBUS	B9	VBUS
A5	CC1	B8	SBU2
A6	D+	B7	D-
A7	D-	B6	D+
A8	SBU1	B5	CC2
A9	VBUS	B4	VBUS
A10		B3	
A11		B2	
A12	CND	B1	CND



Material
Molding: LCP UL94V-0, Black
Contact: Copper Alloy, Au1u"/NI Plated
Shell: SUS304-H, T=0.30±0.03mm,
50u" Ni Plated Over All.

Electrical
Current Rating: 5.0A Max
Voltage: 20 VAC
Withstanding Voltage: 100V AC RMS
Contact Resistance: 40mΩ MAX.
Insulation Resistance: 100MΩ MIN.

Mechanical
Operating Temperature: -30°C TO +85°C.
Insertion Force : 5n~20n
Unmating Force: 8n~20n

Order Information
L-KLS1- 5427 - B
Color: B=Black
USB C Type
RoHS

GENERAL TOLERANCE	ANGLE TOLERANCE	PROJECTION	Description:
X. ±0.60	X. ±5°	UNITS	USB C Type 16PIN Female
.X ±0.38	.X ±3°	SHEET SIZE	
.XX ±0.25	.XX ±2°	KLS P/N:	

Draw by: Date	2018-03-01
Check by: Date	2018-03-01
SCALE	SHEET OF



NingBo KLS ELECTRONIC CO.,LTD.