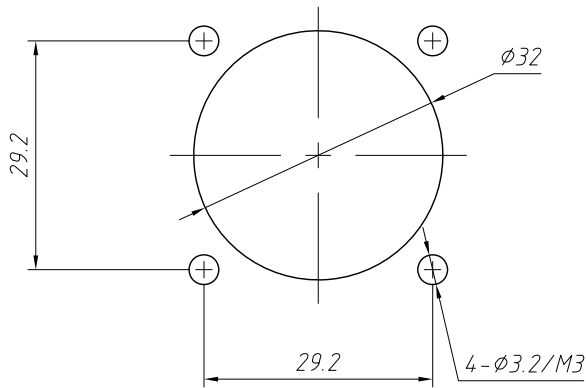
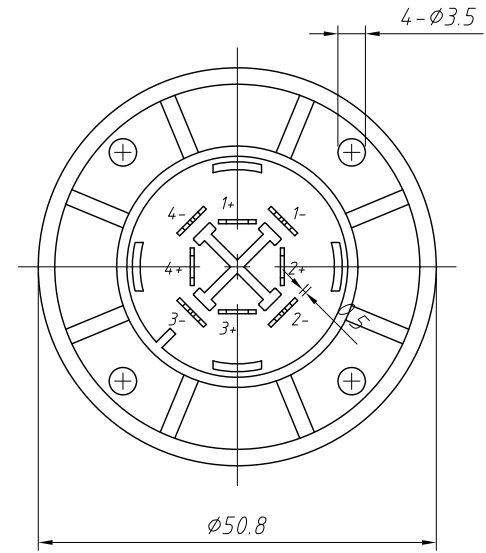
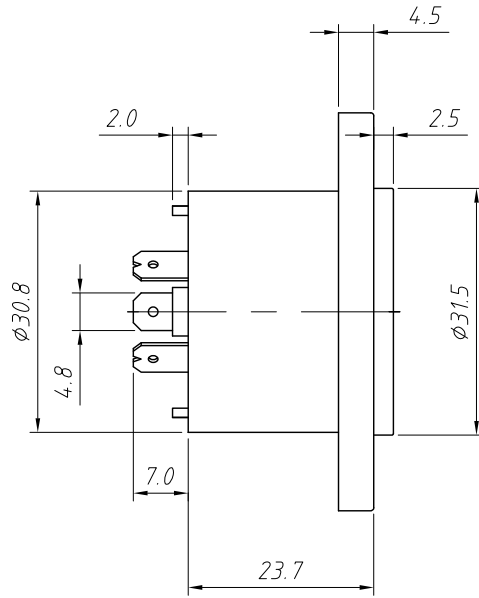
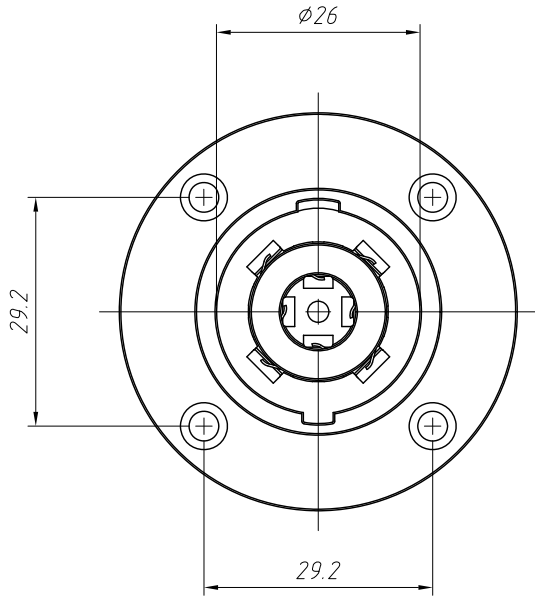


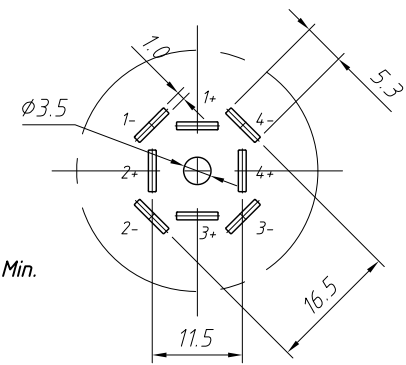
1 RoHS Compliance



Mounting Hole Dimensions

Order Information:
L-KLS1-SL S-0602-08-BK
 L: RoHS
 speakON series
 Type: S-socket P-Plug
 Order Number
 No. of 08 pins
 Color: BK-Black

Electrical:
 1. Voltage Rating: 250VAC
 2. Current Rating: XLR: 20A Max. JACK: 15A Max.
 3. Contact Resistance: 30mΩ Max.
 4. Insulation Resistance: 1000MΩ Min.
 5. Withstanding Resistance: 1000VAC Min.
Mechanical:
 1. Durability: 1000 cycles Min.
 2. Insertion Force: 5~20N
 3. Withdrawal Force: 5~20N.



Recommended PCB Layout

ANGLE TOLERANCE	PROJECTION	Description:	8 Pole Chassis Connector Flange	
±3°				
GENERAL TOLERANCE	UNITS	mm	KLS P/N:	L-KLS1-SLS-0602-08-BK
x.x ±0.30	SHEET SIZE	A4	1 / 1 page	
x.xx ±0.20	Draw:	Daniel	2021-08-28	
x.xxx ±0.10	Check:	Daniel	2021-08-28	



NingBo KLS ELECTRONIC CO.,LTD.