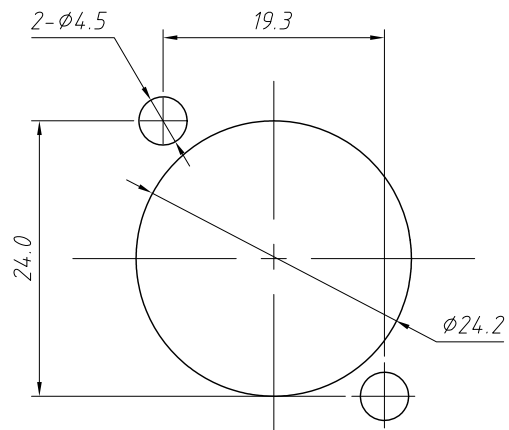
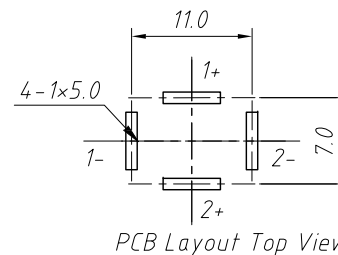
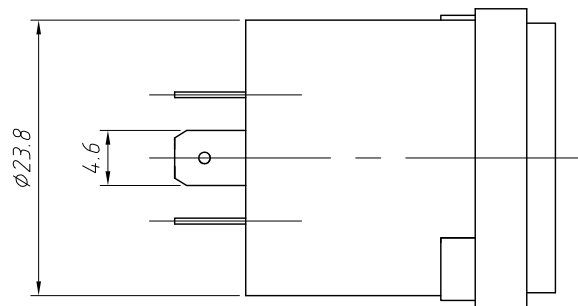


1 RoHS Compliance

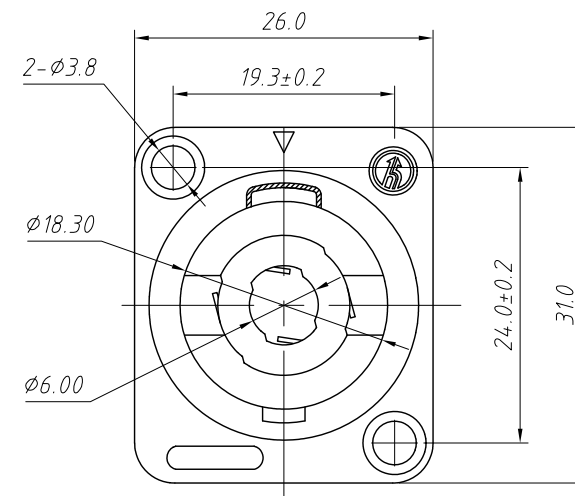
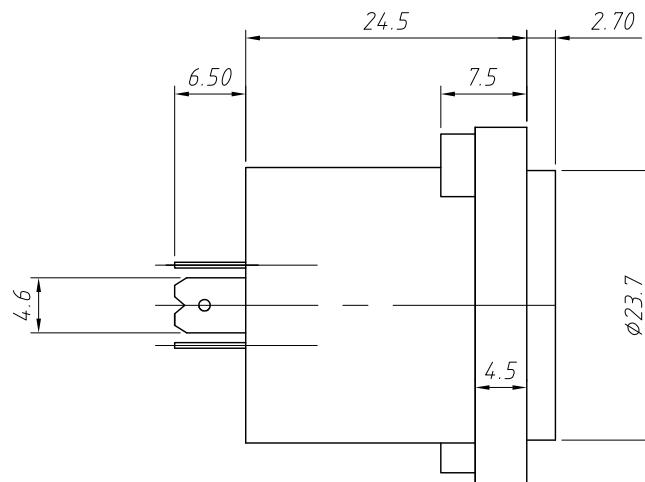
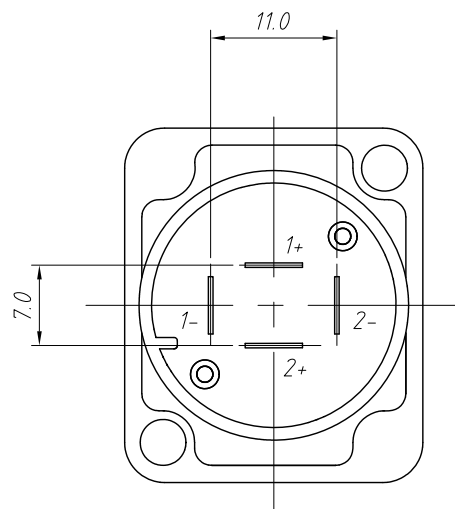


Panel Cut Out



PCB Layout Top View

Order Information:
L-KLS1-SL S-0612-04-BK
 L: RoHS
 speakON series
 Type: S-Socket P-Plug
 Order Number
 No. of 04 pins
 Color: BK-Black



Electrical:

- 1.Voltage Rating: 250VAC
- 2.Current Rating: XLR:20A Max. / JACK: 15A Max.
- 3.Contact Resistance: 30mΩ Max.
- 4.Insulation Resistance: 1000MΩ Min.
- 5.Withstanding Resistance :1000VAC Min.

Mechanical:

- 1.Durability: 1000 cycles Min.
- 2.Insertion Force: 5~20N
- 3./withdrawal Force: 5~20N.

ANGLE TOLERANCE	PROJECTION	Description:
±3°		4 Pole Chassis Connector Flange
GENERAL TOLERANCE	UNITS	mm
x.x ±0.30	SHEET SIZE	A4
x.xx ±0.20	Draw:	Daniel 2021-08-28
x.xxx ±0.10	Check:	Daniel 2021-08-28



NingBo KLS ELECTRONIC CO.,LTD.