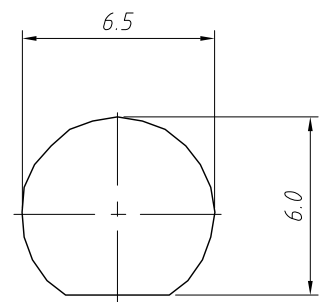
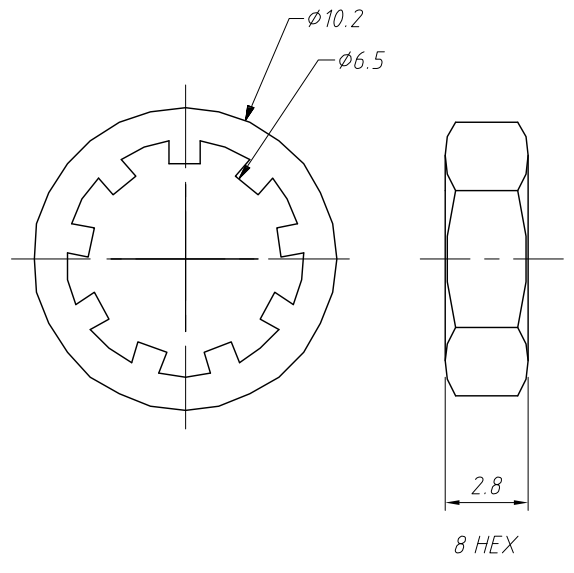
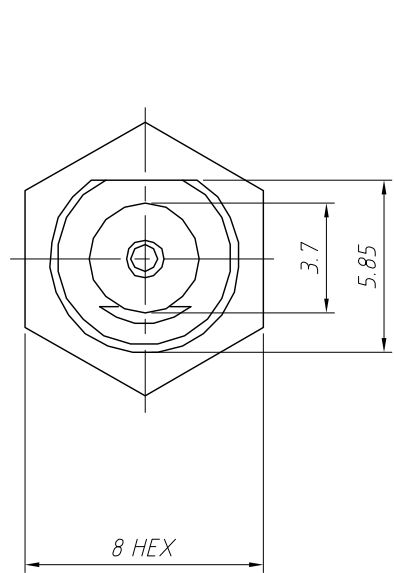
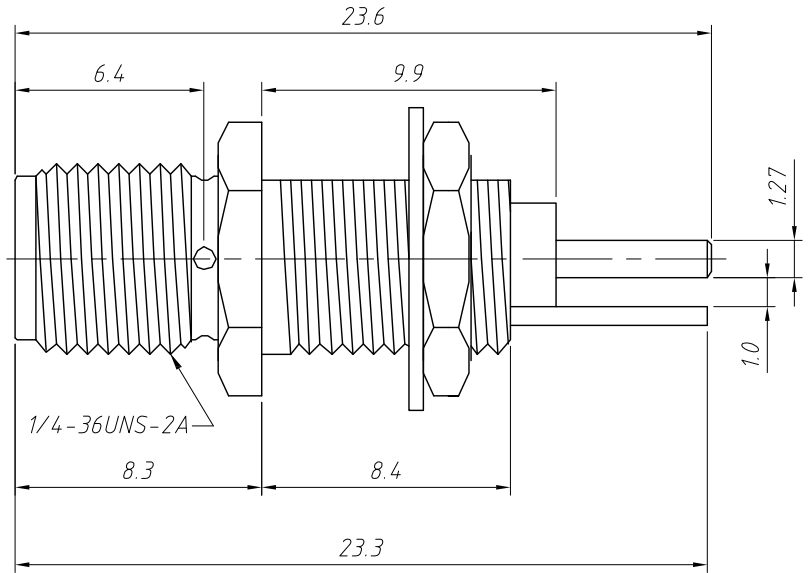


1
RoHS Compliance



Recommended Mounting Hole

- Material:**
- 1.Body:Brass,Gold Plating
 - 2.Insulator:PTFE,Natural
 - 3.Contact Pin:Ber.Copper,Gold Plating
 - 4.Lock Washer:Brass,Gold Plating
 - 5.Hex Nut:Brass,Gold Plating

- Electrical:**
- 1.Impedance:50Ω
 - 2.Max.Panel Thickness=4.5mm

ANGLE TOLERANCE	PROJECTION	Description:	RF Connector SMA PCB End Launch Str Jk Bkhd 50Ω (Jack, Female)
±3°			
GENERAL TOLERANCE	UNITS	mm	KLS P/N: L-KLS1-SMA079
x.x ±0.30	SHEET SIZE	A4	
x.xx ±0.20	Draw:	Daniel	2020-11-11
x.xxx ±0.10	Check:	Daniel	2020-11-11

