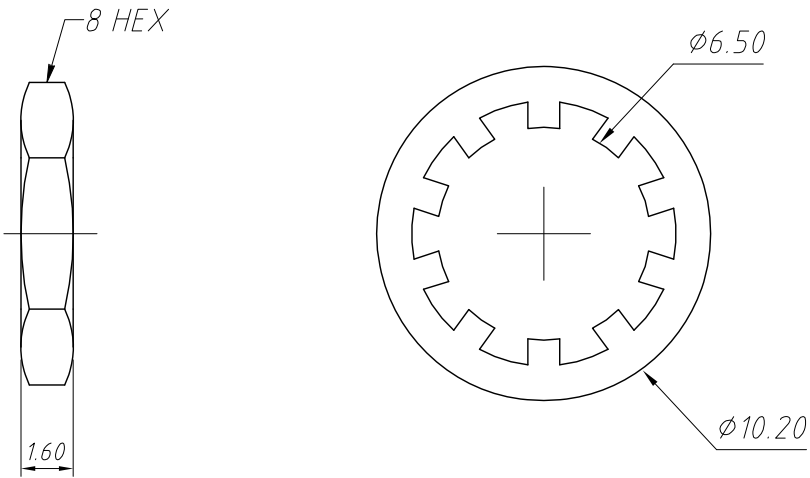
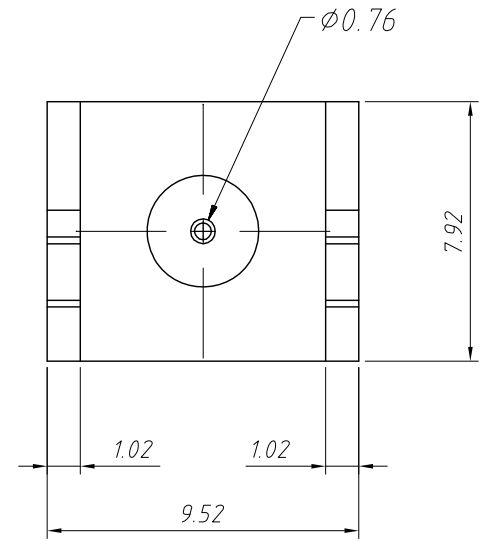
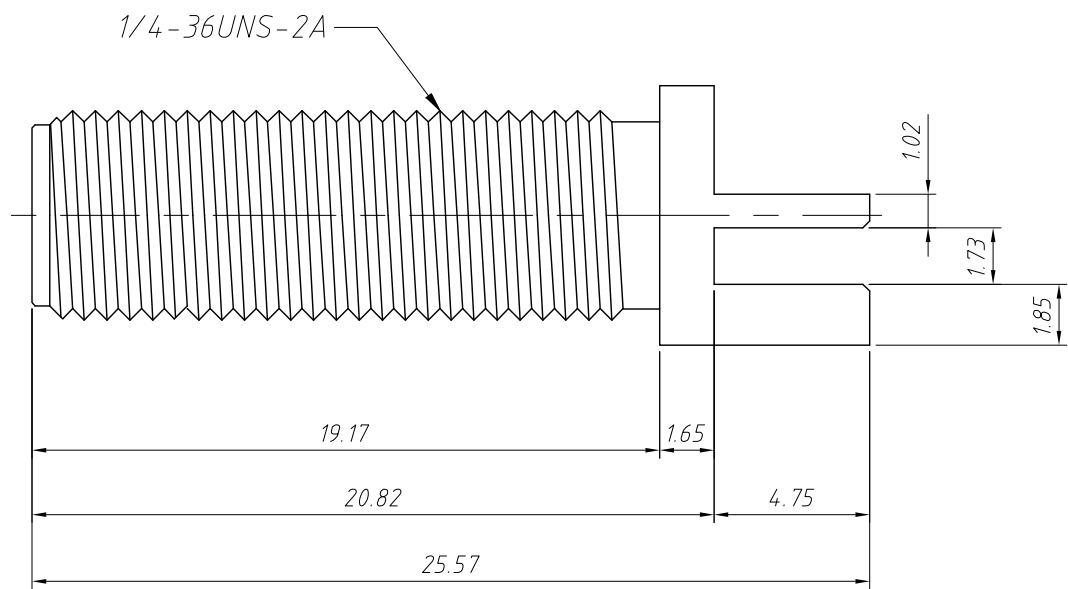


1
RoHS Compliance



- Material:**
- 1.Body:Brass,Gold Plating
 - 2.Insulator:PTFE,Neutral
 - 3.Contact Pin:Ber.Copper,Gold Plating
 - 4.Hex Nut:Brass,Gold Plating
 - 5.Lock Washer:Brass,Gold Plating

- Electrical Specifications:**
- 1.Impedance:50Ω
 - 2.Durability:500 Cycles Min.
 - 3.Temperature Range:- 65°C to +165°C
 - 4.Max.Panel Thickness=1.57mm

ANGLE TOLERANCE	PROJECTION	Description:	RF Connector SMA PCB End Launch Jack 50Ω (Jack, Female)
±3°			
GENERAL TOLERANCE	UNITS	mm	KLS P/N: L-KLS1-SMA072
x.x ±0.30	SHEET SIZE	A4	NingBo KLS ELECTRONIC CO.,L TD.
x.xx ±0.20	Draw:	Daniel 2020-11-11	
x.xxx ±0.10	Check:	Daniel 2020-11-11	