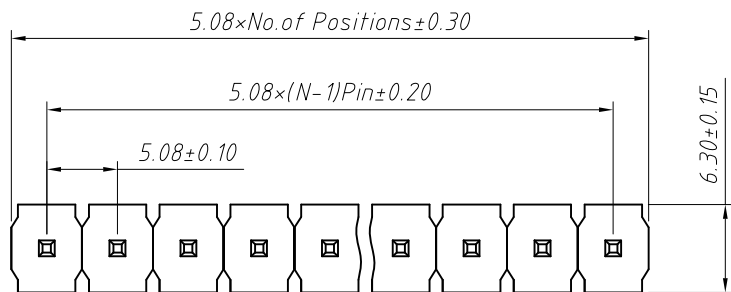
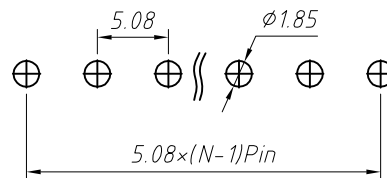


1
RoHS Compliance



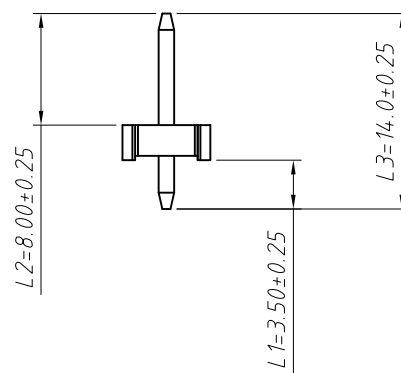
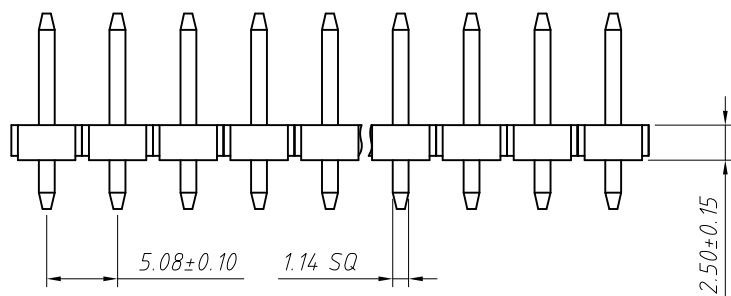
Recommended PCB Layout (Top Side)
(PCB Board Tolerance ± 0.05)



Material:
Standard: LCP
Contact: Brass
Insulator: Polyester, UL 94V-0

Electrical Characteristics:
Rated Current: 7AMP
Contact Resistance: 20mΩ Max
Withstand Voltage: 1000V AC/DC
Insulator Resistance: 1000MΩ Min

Mechanical
Operating Temperature: -40°C ~ +105°C
Max. Processing Temp: 230°C for 30-60 seconds (260°C for 5 seconds)



Order Information:

L-KLS1-207M-2.50-1-XX-S-L1xL2xL3-SN

L: RoHS
Pin Header Series
207M: 5.08mm
Plastics Height: 2.50, 3.00 mm
Per Row: Single layer
Pin: No. of Pins (1x20)
Type: Straight Pin
Size: L1xL2xL3
Plating:
G0=Gold Flash G1=1u" Gold
G10=10u" Gold G15=15u" Gold
G30=30u" Gold SN= Tin

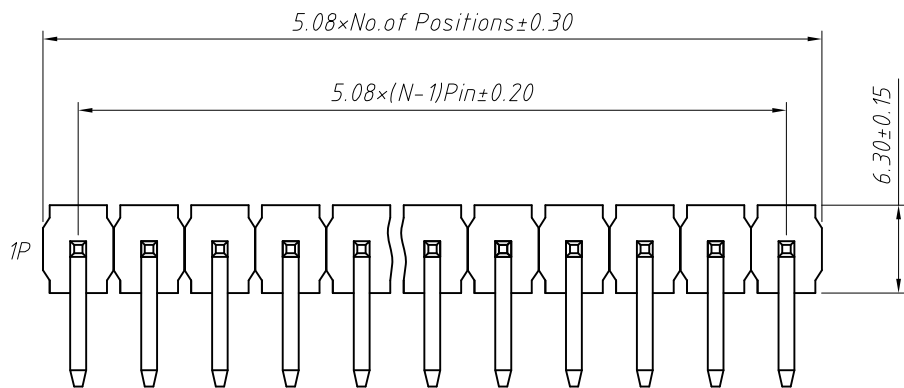
Dimension antitheses list (mm)

| ITEM | L1 | L2 | L3 | Plastic Height |
|-------------|------|------|------|----------------|
| Standard | 3.50 | 8.00 | 14.0 | 2.50 |
| Nonstandard | --- | --- | --- | --- |

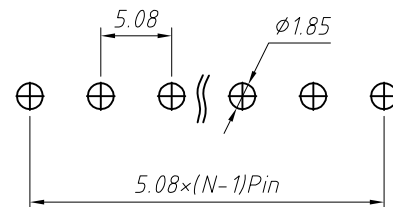
| | | | | |
|-------------------|------------|--------------|-------------------------------------|-------------------------------------|
| ANGLE TOLERANCE | PROJECTION | Description: | 5.08x2.5 Pin Header | |
| ±3° | | | Single layer, Straight Pin, 1xN Pin | |
| GENERAL TOLERANCE | UNITS | mm | KLS P/N: | L-KLS1-207M-2.50-1-XX-S-L1xL2xL3-SN |
| x.x ±0.30 | SHEET SIZE | A4 | | |
| x.xx ±0.20 | Draw: | Daniel | 2018-07-10 | |
| x.xxx ±0.10 | Check: | Daniel | 2018-07-10 | |

NingBo KLS ELECTRONIC CO.,L TD.

1 RoHS Compliance



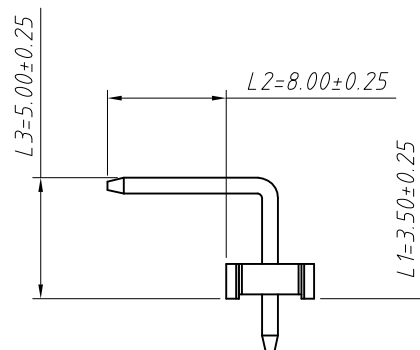
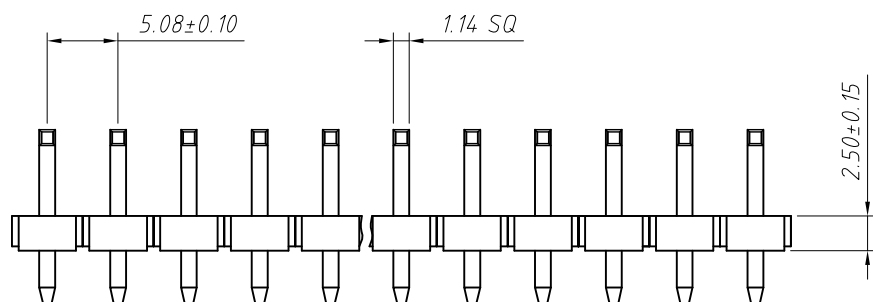
Recommended PCB Layout (Top Side)
(PCB Board Tolerance±0.05)



Material:
Standard:PA6T
Contact: Brass
Insulator:Polyester,UL94V-0

Electrical Characteristics:
Rated Current: 7AMP
Contact Resistance: 20mΩ Max
Withstand Voltage: 1000V AC/DC
Insulator Resistance: 1000MΩ Min

Mechanical
Operating Temperature: -40°C ~ +105°C
Max.Processing Temp:230°C for 30-60 seconds (260°C for 5 seconds)

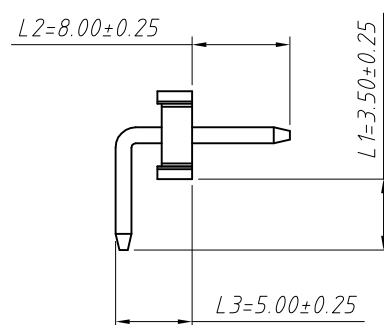


R1 Type

Order Information:
L-KLS1-207M-2.50-1-XX-R1-L1xL2xL3-SN

L: RoHS
Pin Header Series
207M:5.08mm
Plastics Height:
2.50, 3.00 mm
Per Row:Single layer
Pin: No. of Pins (1x20)
Right Angle Pin:R1 Type, R2 Type
Size: L1xL2xL3
Plating:
G0=Gold Flash G1=1u" Gold
G10=10u" Gold G15=15u" Gold
G30=30u" Gold SN=Tin

| Dimension antitheses list (mm) | | | | |
|--------------------------------|------|------|------|----------------|
| ITEM | L1 | L2 | L3 | Plastic Height |
| Standard | 3.50 | 8.00 | 5.00 | 2.50 |
| Nonstandard | --- | --- | --- | --- |

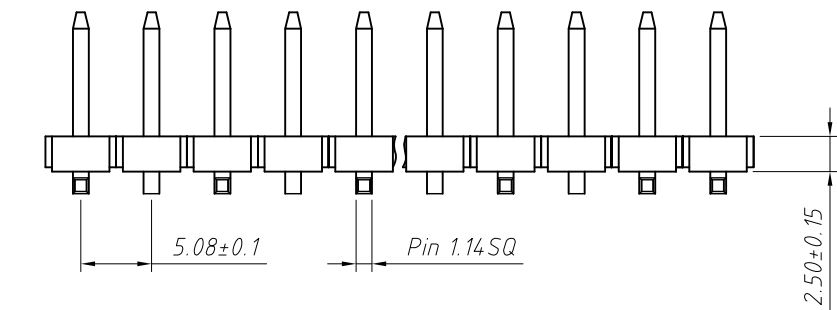
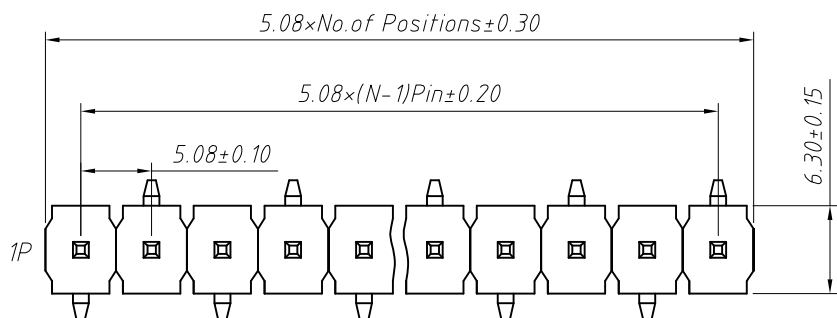
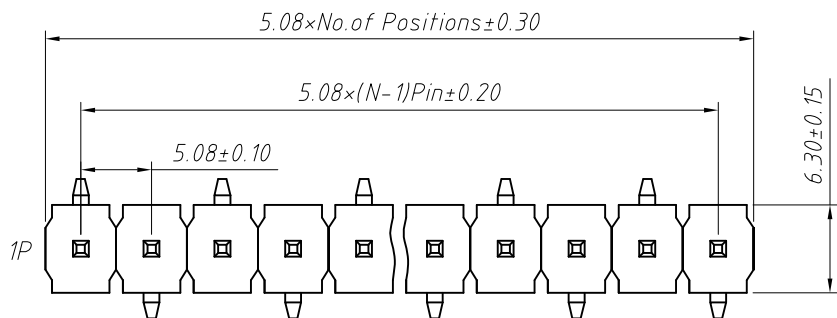


R2 Type

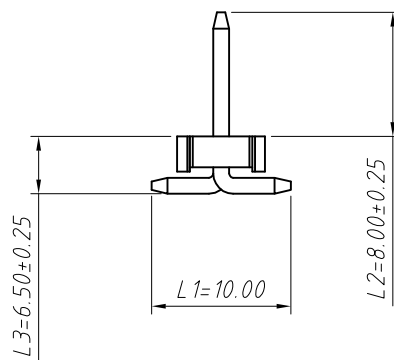
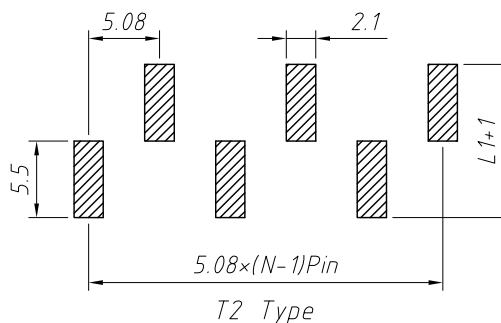
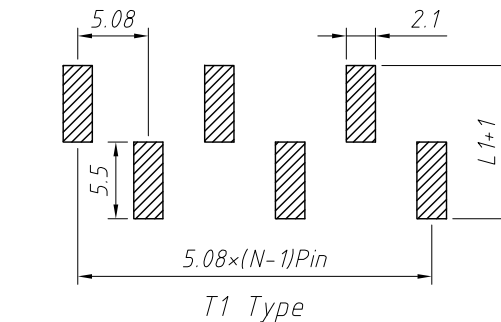
| ANGLE TOLERANCE | PROJECTION | Description: | 5.08x2.5 Pin Header | |
|-------------------|------------|--|---------------------|--------------------------------------|
| ±3° | | Single layer, Right Angle Pin, 1xN Pin | | |
| GENERAL TOLERANCE | UNITS | mm | KLS P/N: | L-KLS1-207M-2.50-1-XX-R1-L1xL2xL3-SN |
| x.x ±0.30 | SHEET SIZE | A4 | | |
| x.xx ±0.20 | Draw: | Daniel | 2018-07-10 | |
| x.xxx ±0.10 | Check: | Daniel | 2018-07-10 | |

NingBo KLS ELECTRONIC CO.,L TD.

1 RoHS Compliance



Recommended PCB Layout (Top Side)
(PCB Board Tolerance±0.05)



Material:
Standard:LCP
Contact: Brass
Insulator:Polyester,UL 94 V-0

Electrical Characteristics:
Rated Current: 7AMP
Contact Resistance: 20mΩ Max
Withstand Voltage: 1000V AC/DC
Insulator Resistance: 1000MΩ Min

Mechanical
Operating Temperature: -40°C ~ +105°C
Max.Processing Temp:230°C for 30-60 seconds (260°C for 5 seconds)

Order Information:
L-KLS1-207M-2.50-1-XX-T1-L1xL2xL3-SN

L: RoHS
Pin Header Series
207M:5.08mm
Plastics Height:
2.50, 3.00 mm
Per Row:Single layer
Pin: No. of Pins (1x20)
SMT Pin:T1 Type, T2 Type
Size: L1xL2xL3
Plating:
G0=Gold Flash G1=1u" Gold
G10=10u" Gold G15=15u" Gold
G30=30u" Gold SN=Tin

Dimension antitheses list (mm)

| ITEM | L1 | L2 | L3 | Plastic Height |
|-------------|-------|------|------|----------------|
| Standard | 10.00 | 8.00 | 6.50 | 2.50 |
| Nonstandard | --- | --- | --- | --- |

| ANGLE TOLERANCE | PROJECTION | Description: | 5.08x2.5 Pin Header Single layer, SMT, 1xN Pin | |
|-------------------|------------|--------------|---|--------------------------------------|
| ±3° | | | | |
| GENERAL TOLERANCE | UNITS | mm | KLS P/N: | L-KLS1-207M-2.50-1-XX-T1-L1xL2xL3-SN |
| x.x ±0.30 | SHEET SIZE | A4 | | |
| x.xx ±0.20 | Draw: | Daniel | 2018-07-10 | |
| x.xxx ±0.10 | Check: | Daniel | 2018-07-10 | |



NingBo KLS ELECTRONIC CO.,L TD.