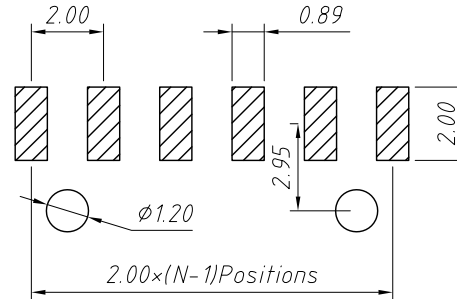
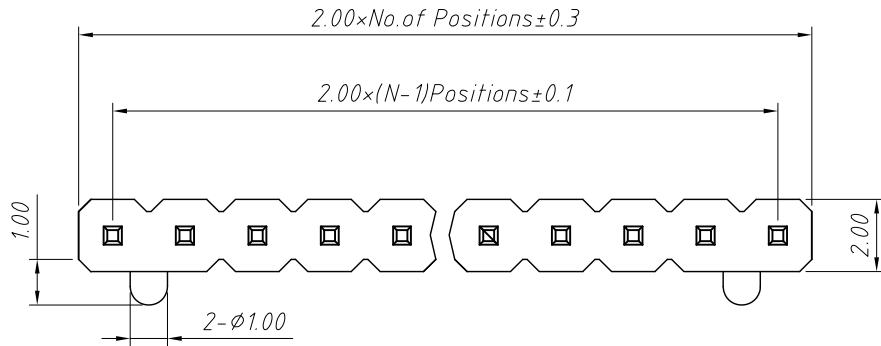


1 RoHS Compliance



Recommended P.C.B Hole Layout

Material:

Standard: PA6T

Contact: Brass

Insulator: Polyester, UL94V-0

Electrical Characteristics:

Rated Current: 1.5AMP

Contact Resistance: 20mΩ Max

Withstand Voltage: 1000V AC/DC

Insulator Resistance: 1000MΩ Min

Mechanical

Operating Temperature: -40°C ~ +105°C

Max. Processing Temp: 240°C for 30-60 seconds  
(260°C for 10 seconds)

Dimension antitheses list (mm)				
ITEM	PA	PB	PC	Plastic Height
Standard	4.00	1.27	2.80	2.00
Nonstandard	---	---	---	---

Order Information:

L-KLS1-207BA-2.00-1-XX-PA×PC×PB-G0-N-R

L: RoHS

Pin Header Series

207BA: 2.00mm

Plastics Height:

1.50, 2.00mm

Per Row: Single layer

Pin: No. of Pins (1×40)

Size: PA×PC×PB

Plating:

G0=Gold Flash G1=1u" Gold G10=10u" Gold

G15=15u" Gold G30=30u" Gold

Post: W=With Post N=W/O Post

Packing:

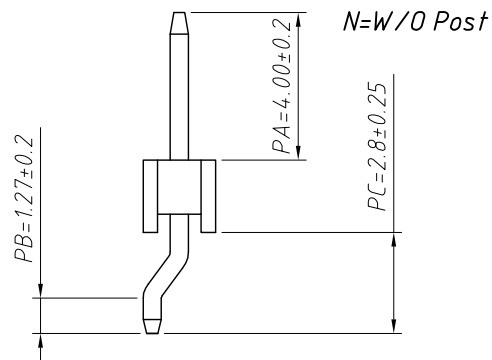
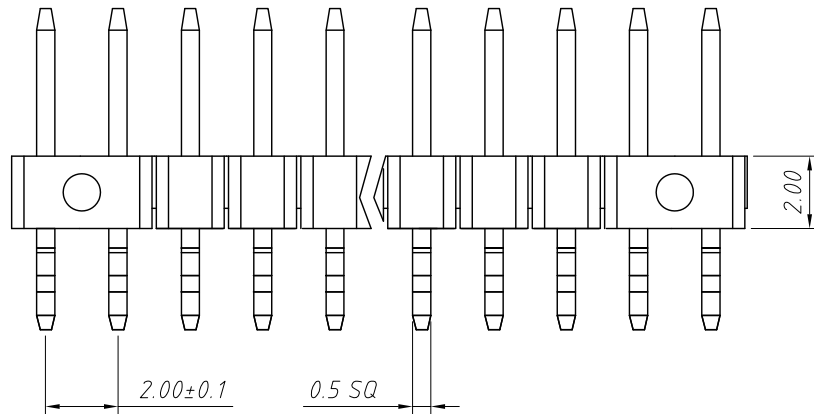
0=PE Bag

A=Tray

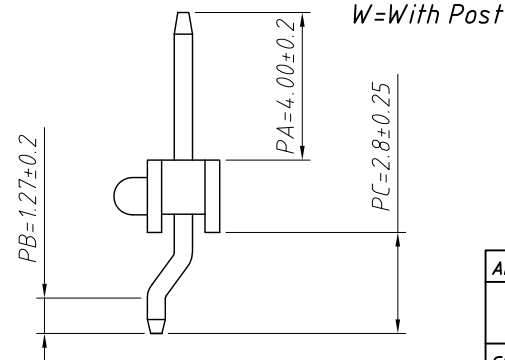
T=Tube

P=Tube+Cap

R=Reel+Cap



N=W/O Post



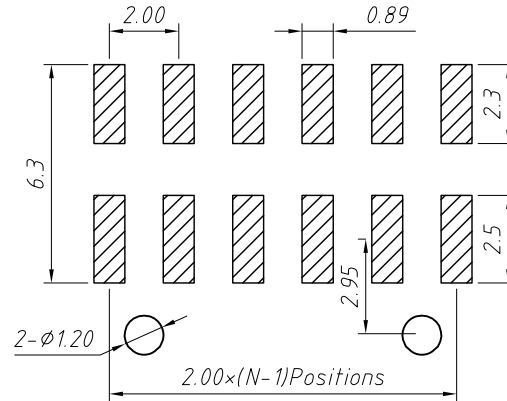
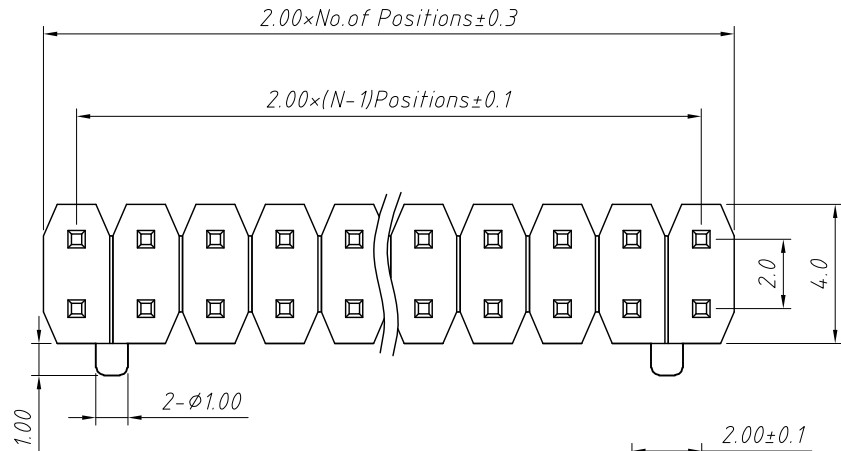
W=With Post

ANGLE TOLERANCE	PROJECTION	Description:	2.00mm Pin Header	
±3°		Single layer, Horizontal SMT, 1xN Pin		
GENERAL TOLERANCE	UNITS	mm	KLS P/N:	L-KLS1-207BA-2.00-1-XX-PA×PC×PB-G0-N-R
x.x ±0.30	SHEET SIZE	A4		
x.xx ±0.20	Draw:	Daniel	2018-07-10	
x.xxx ±0.10	Check:	Daniel	2018-07-10	



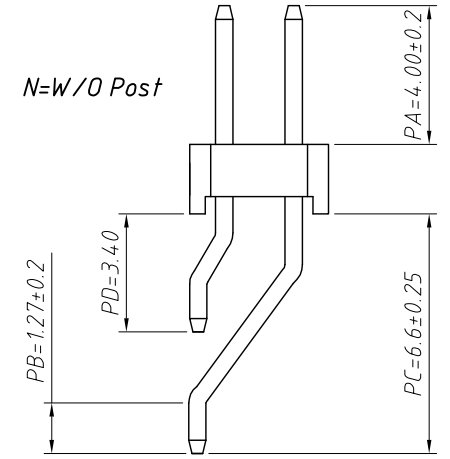
NingBo KLS ELECTRONIC CO.,L TD.

RoHS Compliance



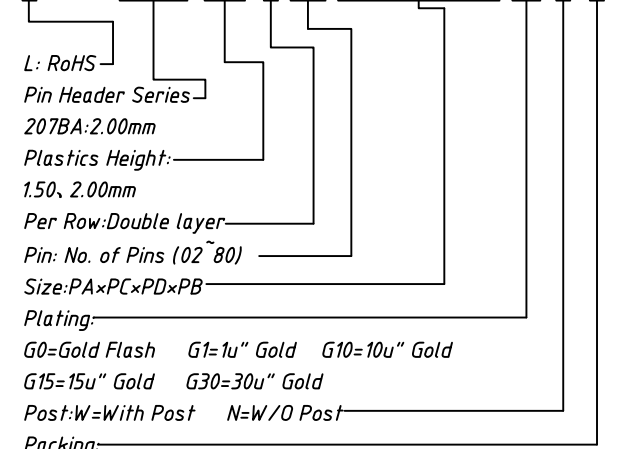
Recommended P.C.B Hole Layout

N=W/O Post

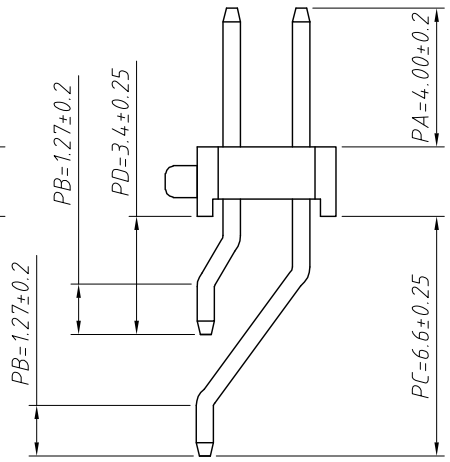
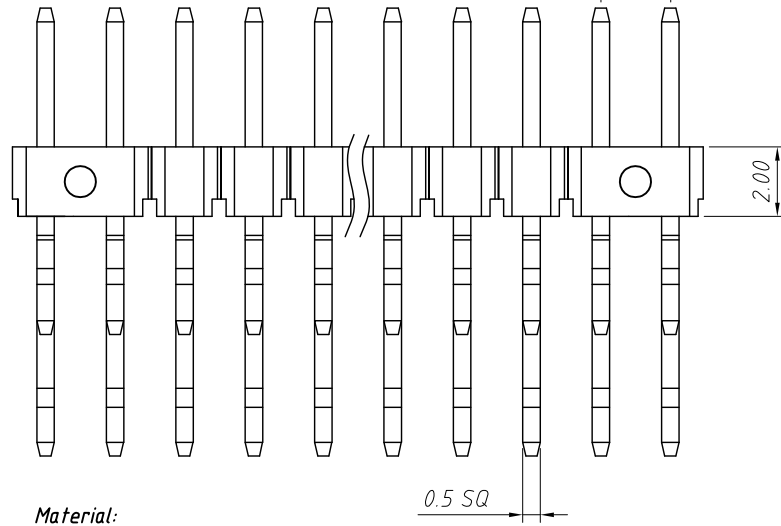


Order Information:

L-KLS1-207BA-2.00-2-XX-PA×PC×PD×PB-G0-W-R



Packing:  
0=PE Bag    A=Tray    T=Tube  
P=Tube+Cap    R=Reel+Cap



W=With Post

**Material:**  
Standard: PA6T    Contact: Brass  
Insulator: Polyester, UL94V-0  
**Electrical Characteristics:**  
Rated Current: 15AMP  
Contact Resistance: 20mΩ Max  
Withstand Voltage: 1000V AC/DC  
Insulator Resistance: 1000MΩ Min  
**Mechanical**  
Operating Temperature: -40°C ~ +105°C

Dimension antitheses list (mm)					
ITEM	PA	PB	PC	PD	Plastic Height
Standard	4.00	1.27	6.60	3.40	2.00
Nonstandard	---	---	---	---	---

ANGLE TOLERANCE	PROJECTION	Description:	2.00mm Pin Header	
±3°			Double layer, Horizontal SMT, 1xN Pin	
GENERAL TOLERANCE	UNITS	mm	KLS P/N:	L-KLS1-207BA-2.00-2-XX-PA×PC×PD×PB-G0-W-R
x.x ±0.30	SHEET SIZE	A4		
x.xx ±0.20	Draw:	Daniel	2018-07-10	
x.xxx ±0.10	Check:	Daniel	2018-07-10	

