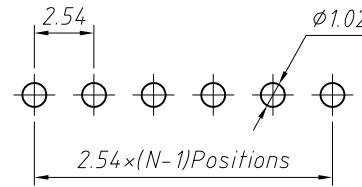
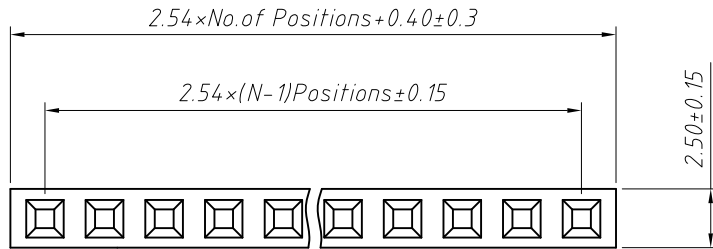


1
RoHS Compliance

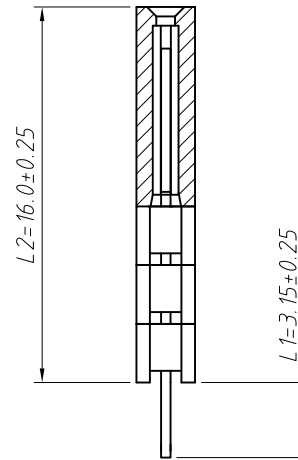
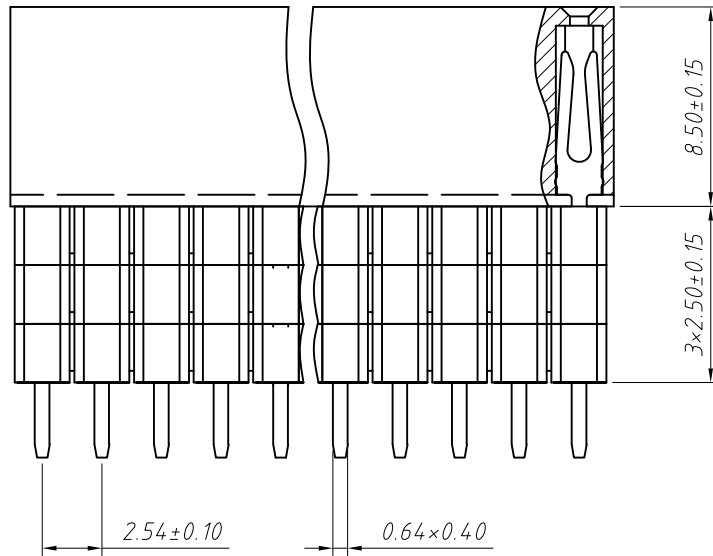


Recommended P.C.B Layout (Top Side)
(PCB BOARD TOLERANCE±0.05)

Material:
Standard:PBT/PA6T
Contact:Brass
Plating: Au or Sn Over 50u" Ni
Insulator: Polyester, UL94 V-0

Electrical Characteristics:
Rated Current: 3.0AMP
Contact Resistance: 20mΩ Max
Withstand Voltage: 1000V AC/DC
Insulator Resistance: 1000MΩ Min

Mechanical
Operating Temperature: -40°C ~ +105°C
Max. Processing Temp: 180°C for 30-60 seconds (200°C for 10 seconds)



Order Information:
L-KLS1-208X-1-XX-S-L1xL2-A

- L: RoHS
- Pin Header Series
- 208X: 2.54mm
- Per Row: Single layer
- Pin: No. of Pins (1x40)
- Type: Straight Pin
- Size: L1xL2
- Material: A=PBT B=PA6T C=LCP

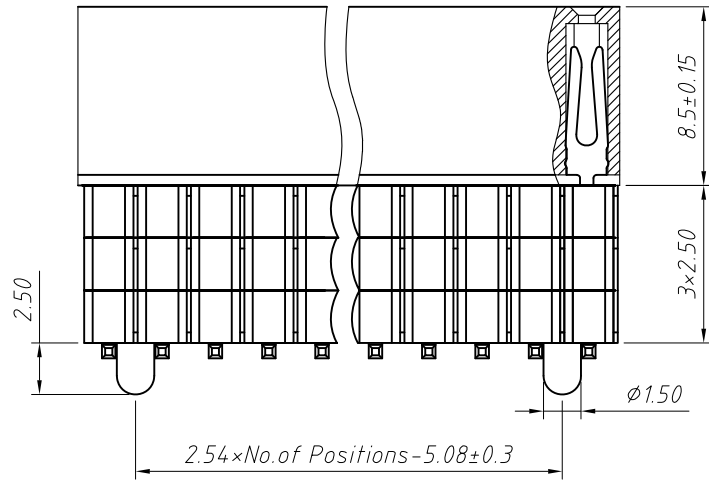
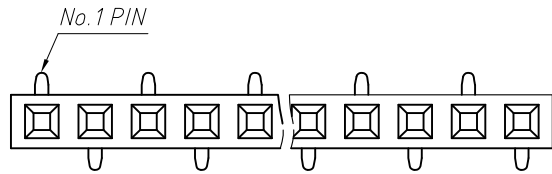
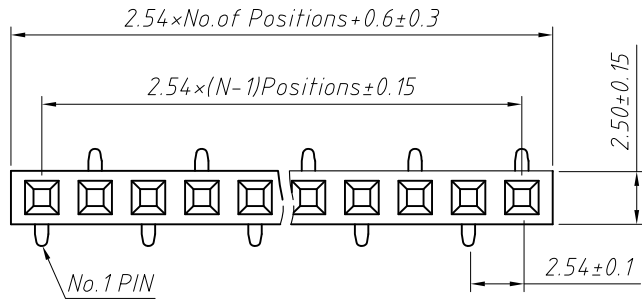
Dimension antitheses list (mm)			
ITEM	L1	L2	Plastic Height
Standard	3.15	16.0	8.50
Standard	3.15	13.5	8.50
Standard	3.15	11.0	8.50

ANGLE TOLERANCE	PROJECTION	Description:
±3°		2.54x8.5mm Female Header Single layer, Straight Pin, 1xN Pin
GENERAL TOLERANCE	UNITS	mm
x.x ±0.30	SHEET SIZE	A4
x.xx ±0.20	Draw:	Daniel 2018-07-10
x.xxx ±0.10	Check:	Daniel 2018-07-10



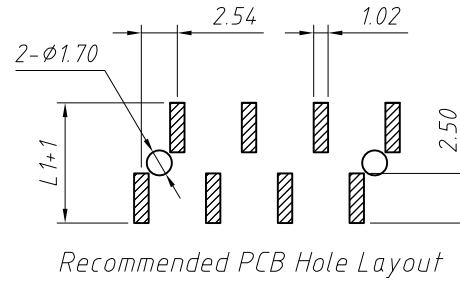
NingBo KLS ELECTRONIC CO., L TD.

1 RoHS Compliance

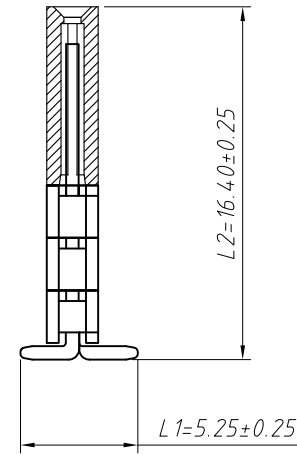
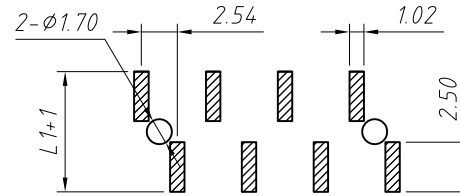


Dimension antitheses list (mm)			
ITEM	L1	L2	Plastic Height
Standard	5.25	11.4	8.50
Standard	5.25	13.9	8.50
Standard	5.25	16.4	8.50

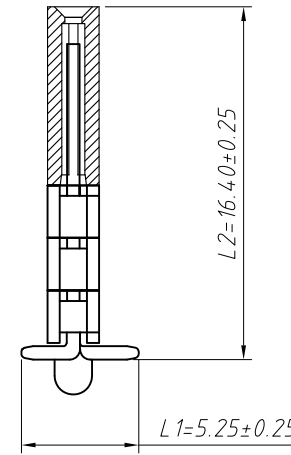
T2 Type



T1 Type



T=Without Post



T3=With Post

Material:
Standard: PA6T
Contact: Brass
Plating: Au or Sn Over Ni
Insulator: Polyester, UL 94 V-0

Electrical Characteristics:

Rated Current: 3.0AMP
Contact Resistance: 20mΩ Max
Withstand Voltage: 1000V AC/DC
Insulator Resistance: 1000MΩ Min

Mechanical

Operating Temperature: -40°C ~ +105°C
Max. Processing Temp: 180°C for 30-60 seconds (200°C for 10 seconds)

Order Information:

L-KLS1-208X-1-XX-T1-L1xL2-N-B-R

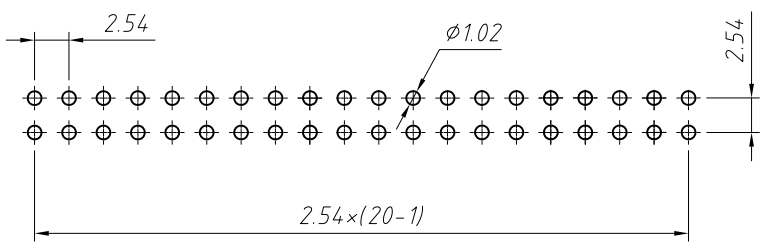
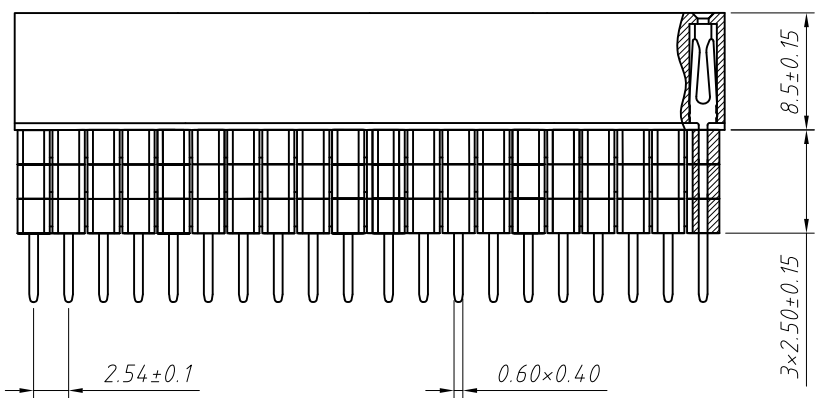
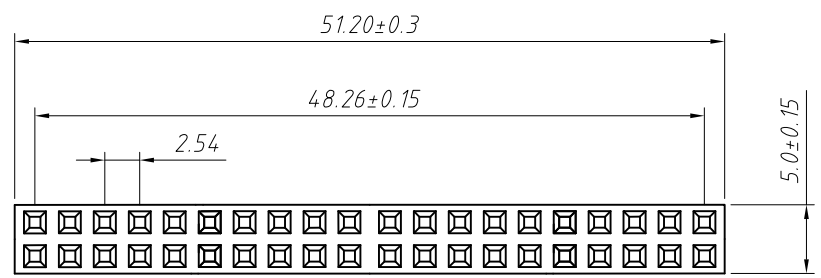
L: RoHS
Pin Header Series
208X: 2.54mm
Per Row: Single layer
Pin: No. of Pins (1x40)
SMT Type: T1 Type, T2 Type
Size: L1xL2
Post: W=With Post N=W/O Post
Material: A=PBT B=PA6T C=LCP
Packing:
A=Tray T=Tube M=Reel+Mylar
P=Tube+Cap R=Reel+Cap

ANGLE TOLERANCE	PROJECTION	Description:
±3°		2.54x8.5mm Female Header Single layer, SMT Pin, 1xN Pin
GENERAL TOLERANCE	UNITS	mm
x.x ±0.30	SHEET SIZE	A4
x.xx ±0.20	Draw:	Daniel 2018-07-10
x.xxx ±0.10	Check:	Daniel 2018-07-10
KLS P/N:		L-KLS1-208X-1-XX-T1-L1xL2-N-B-R



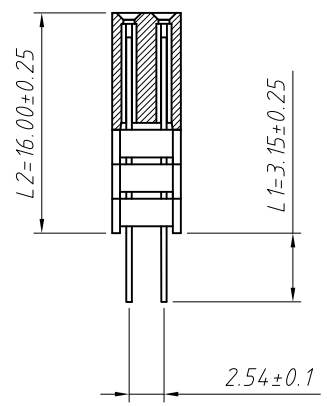
NingBo KLS ELECTRONIC CO., L TD.

1
RoHS Compliance



Recommended P.C.B Layout (Top Side)
(PCB BOARD TOLERANCE ±0.05)

Dimension antitheses list (mm)			
ITEM	L1	L2	Plastic Height
Standard	3.15	16.0	8.50
Standard	3.15	13.5	8.50
Standard	3.15	11.0	8.50



Material:
Standard:PBT/PA6T
Contact:Brass
Plating: Au or Sn Over Ni
Insulator: Polyester, UL94 V-0

Electrical Characteristics:
Rated Current: 3.0AMP
Contact Resistance: 20mΩ Max
Withstand Voltage: 1000V AC/DC
Insulator Resistance: 1000MΩ Min

Mechanical
Operating Temperature: -40°C ~ +105°C
Max.Processing Temp: 180°C for 30-60 seconds (200°C for 10 seconds)

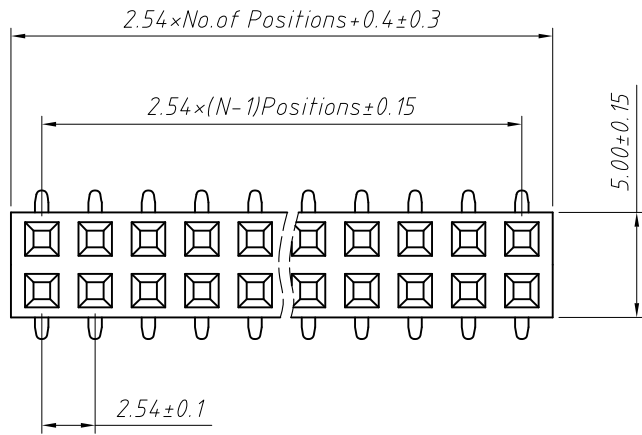
Order Information:
L-KLS1-208X-2-XX-S-L1×L2-A
L: RoHS
Pin Header Series
208X: 2.54mm
Per Row: Double layer
Pin: No. of Pins (02~80)
Type: Straight Pin
Size: L1×L2
Material: A=PBT B=PA6T C=LCP

ANGLE TOLERANCE	PROJECTION	Description:	
±3°		2.54x8.5mm Female Header Double layer, Straight Pin, 2xN Pin	
GENERAL TOLERANCE	UNITS	mm	KLS P/N:
x.x ±0.30	SHEET SIZE	A4	L-KLS1-208X-2-XX-S-L1×L2-A
x.xx ±0.20	Draw:	Daniel	2018-07-10
x.xxx ±0.10	Check:	Daniel	2018-07-10

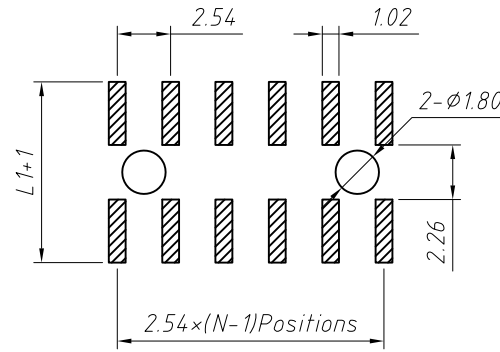


NingBo KLS ELECTRONIC CO.,L TD.

RoHS Compliance



Recommended P.C.B Layout (Top Side)
(PCB BOARD TOLERANCE ± 0.05)



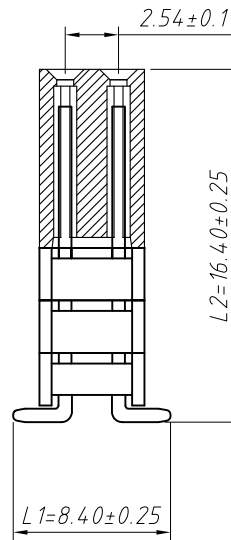
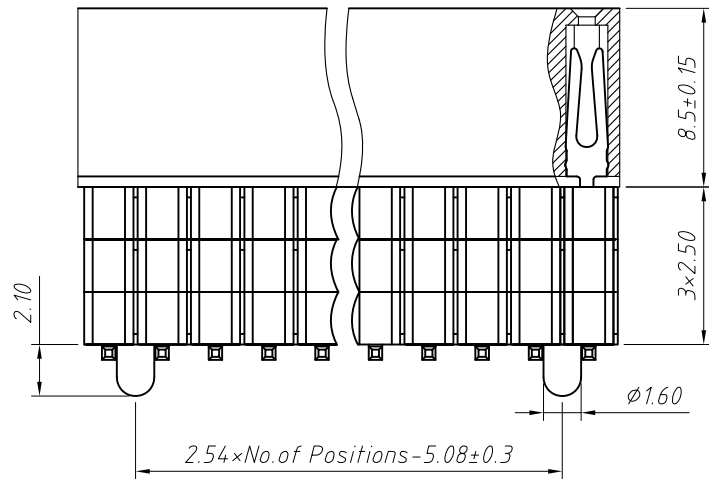
Material:
Standard: PA6T
Contact: Brass
Plating: Au or Sn Over Ni
Insulator: Polyester, UL 94 V-0

Electrical Characteristics:

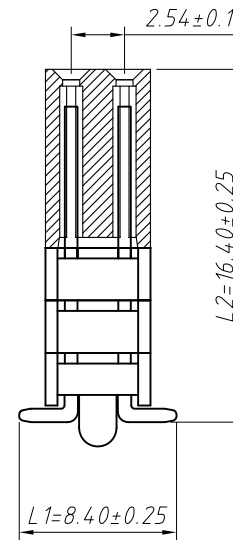
Rated Current: 3.0AMP
Contact Resistance: 20mΩ Max
Withstand Voltage: 1000V AC/DC
Insulator Resistance: 1000MΩ Min

Mechanical

Operating Temperature: -40°C ~ +105°C
Max. Processing Temp: 180°C for 30-60 seconds (200°C for 10 seconds)



T=Without Post



T3=With Post

Order Information:

L-KLS1-208X-2-XX-T-L1xL2-B-R

L: RoHS
Pin Header Series
208X: 2.54mm
Per Row: Double layer
Pin: No. of Pins (02~80)
SMT Pin:
T=Without Post, T3=With Post
Size: L1xL2
Material: A=PBT B=PA6T C=LCP
Packing:
A=Tray T=Tube M=Reel+Mylar
P=Tube+Cap R=Reel+Cap

Dimension antitheses list (mm)

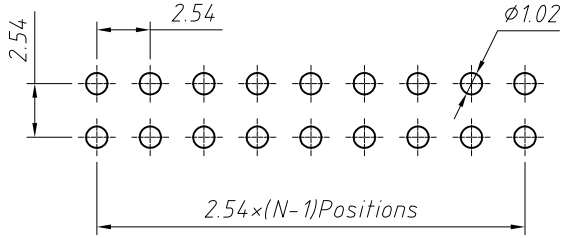
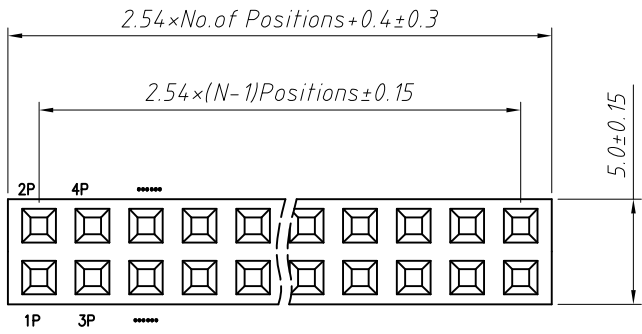
ITEM	L1	L2	Plastic Height
Standard	8.40	11.4	8.50
Standard	8.40	13.9	8.50
Standard	8.40	16.4	8.50

ANGLE TOLERANCE	PROJECTION	Description:
±3°		2.54x8.5mm Female Header Double layer, SMT Pin, 2xN Pin
GENERAL TOLERANCE	UNITS	mm
x.x ±0.30	SHEET SIZE	A4
x.xx ±0.20	Draw:	Daniel 2018-07-10
x.xxx ±0.10	Check:	Daniel 2018-07-10



NingBo KLS ELECTRONIC CO.,L TD.

1 RoHS Compliance

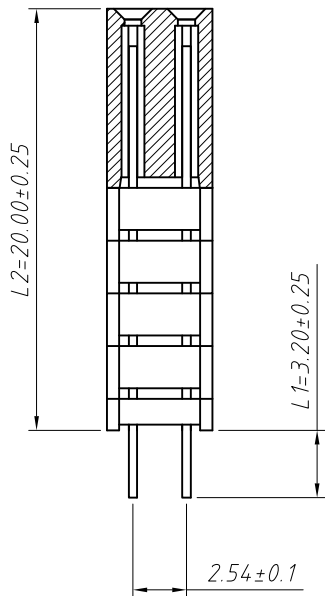
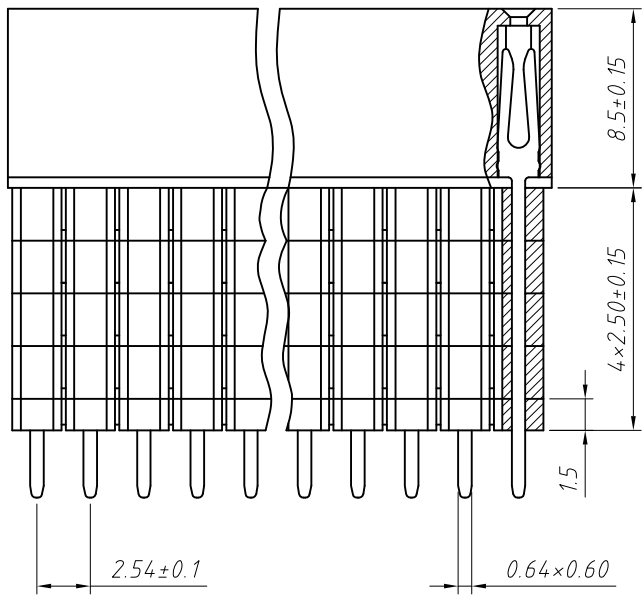


Recommended P.C.B Layout (Top Side)
(PCB BOARD TOLERANCE±0.05)

Material:
Standard:PBT/PA6T
Contact:Brass
Plating:Au or Sn Over Ni
Insulator:Polyester,UL94 V-0

Electrical Characteristics:
Rated Current: 3.0AMP
Contact Resistance: 20mΩ Max
Withstand Voltage: 1000V AC/DC
Insulator Resistance: 1000MΩ Min

Mechanical
Operating Temperature: -40°C ~ +105°C
Max.Processing Temp:180°C for 30-60 seconds (200°C for 10 seconds)



Order Information:
L-KLS1-208X-2-XX-S-3.2x20-A

L: RoHS
Pin Header Series
208X:2.54mm
Per Row:Double layer
Pin: No. of Pins (02~80)
Type:Straight Pin
Size:LxL2
Material:A=PBT B=PA6T C=LCP

Dimension antitheses list (mm)

ITEM	L1	L2	Plastic Height
Non Standard	3.20	20.0	8.50

ANGLE TOLERANCE	PROJECTION	Description:	2.54x8.5mm Female Header Double layer, Straight Pin, 2xN Pin
±3°			
GENERAL TOLERANCE	UNITS	mm	KLS P/N: L-KLS1-208X-2-XX-S-3.2x20-A
x.x ±0.30	SHEET SIZE	A4	
x.xx ±0.20	Draw:	Daniel	2018-07-10
x.xxx ±0.10	Check:	Daniel	2018-07-10

