

1
RoHS Compliance

2

3

4

5

6

7

8

A

B

C

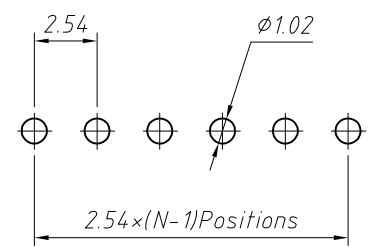
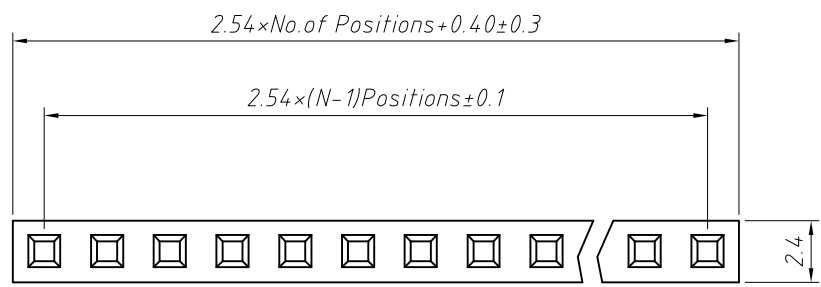
D

E

F

G

H

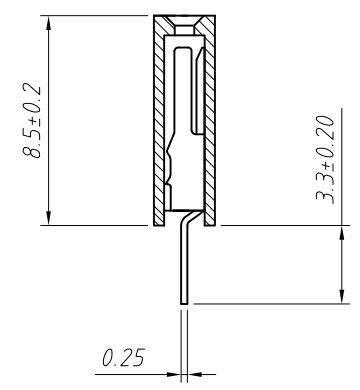
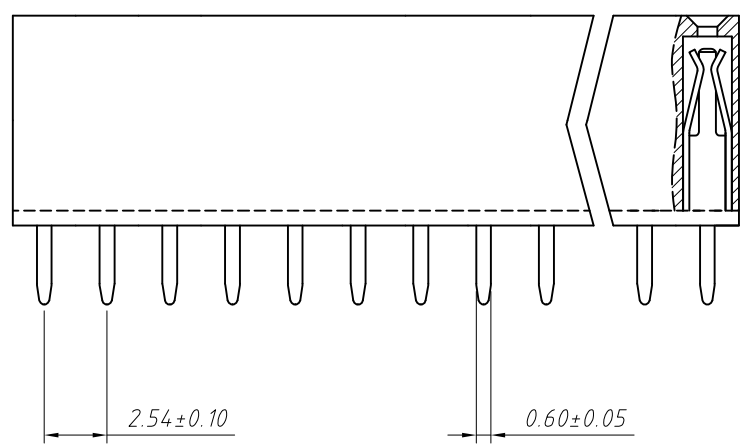


Recommended PCB Hole Layout

Material:
 Standard: PBT/PA6T
 Contact: Phosphor Bronze
 Plating: Au or Sn Over 50u" Ni
 Insulator: Polyester, UL94V-0

Electrical Characteristics:
 Rated Current: 3.0AMP
 Contact Resistance: 20mΩ Max
 Withstand Voltage: 1000V AC/DC
 Insulator Resistance: 1000MΩ Min

Mechanical
 Operating Temperature: -40°C ~ +105°C
 Max. Processing Temp: 230°C for 30-60 seconds (260°C for 10 seconds)



Order Information:
 L-KLS1-208U-1-XX-S-A
 L: RoHS
 Pin Header Series
 208U: 2.54mm
 Per Row: Single layer
 Pin: No. of Pins (1x40)
 Type: Straight Pin
 Material: A=PBT B=PA6T C=LCP

ANGLE TOLERANCE	PROJECTION	Description:	2.54x8.5mm Female Header Single layer, Straight Pin, 1xN Pin	
±3°				
GENERAL TOLERANCE	UNITS	mm	KLS P/N:	L-KLS1-208U-1-XX-S-A
x.x ±0.30	SHEET SIZE	A4		
x.xx ±0.20	Draw:	Daniel	2018-07-10	
x.xxx ±0.10	Check:	Daniel	2018-07-10	

NingBo KLS ELECTRONIC CO.,L TD.

1

2

3

4

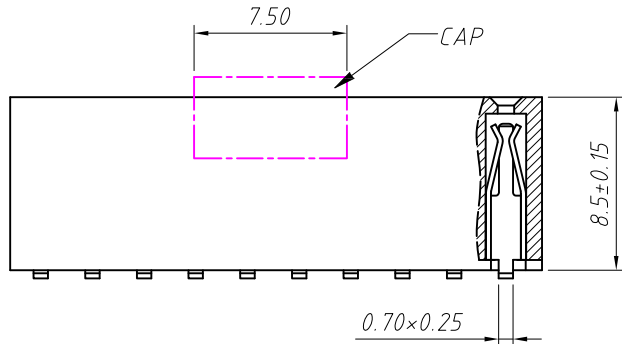
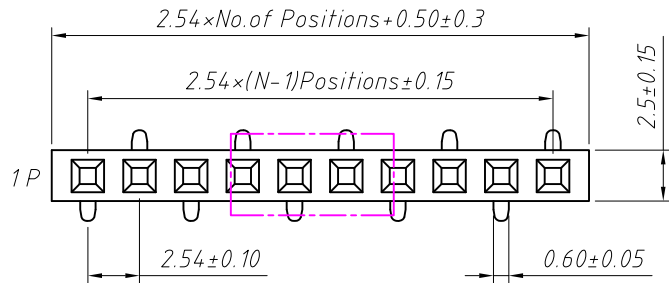
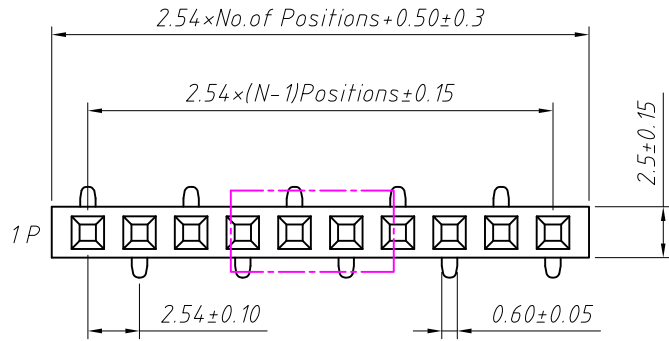
5

6

7

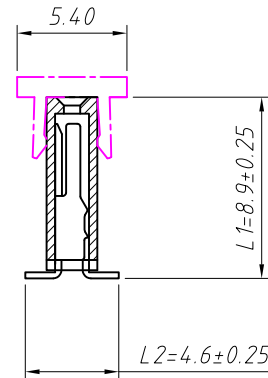
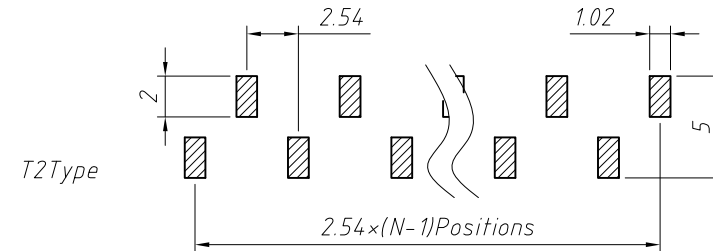
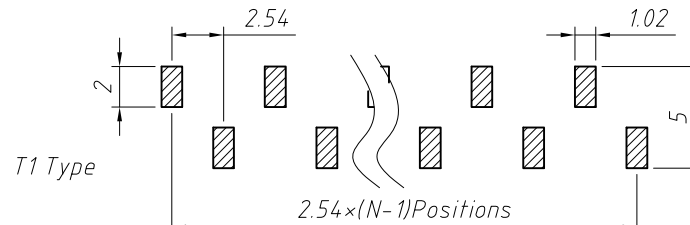
8

RoHS Compliance



Dimension antitheses list (mm)			
ITEM	L1	L2	Plastic Height
Standard	8.90	4.60	8.50
Nonstandard	---	---	---

Recommended P.C.B Layout (Top Side)
(PCB BOARD TOLERANCE±0.05)



Material:
Standard: PA6T
Contact: Brass
Plating: Au or Sn Over 50u" Ni
Insulator: Polyester, UL 94V-0

Electrical Characteristics:
Rated Current: 3.0AMP
Contact Resistance: 20mΩ Max
Withstand Voltage: 1000V AC/DC
Insulator Resistance: 1000MΩ Min

Mechanical
Operating Temperature: -40°C ~ +105°C
Max. Processing Temp: 230°C for 30-60 seconds (260°C for 10 seconds)

Order Information:
L-KLS1-208U-1-XX-T1-L1xL2-N-B-R

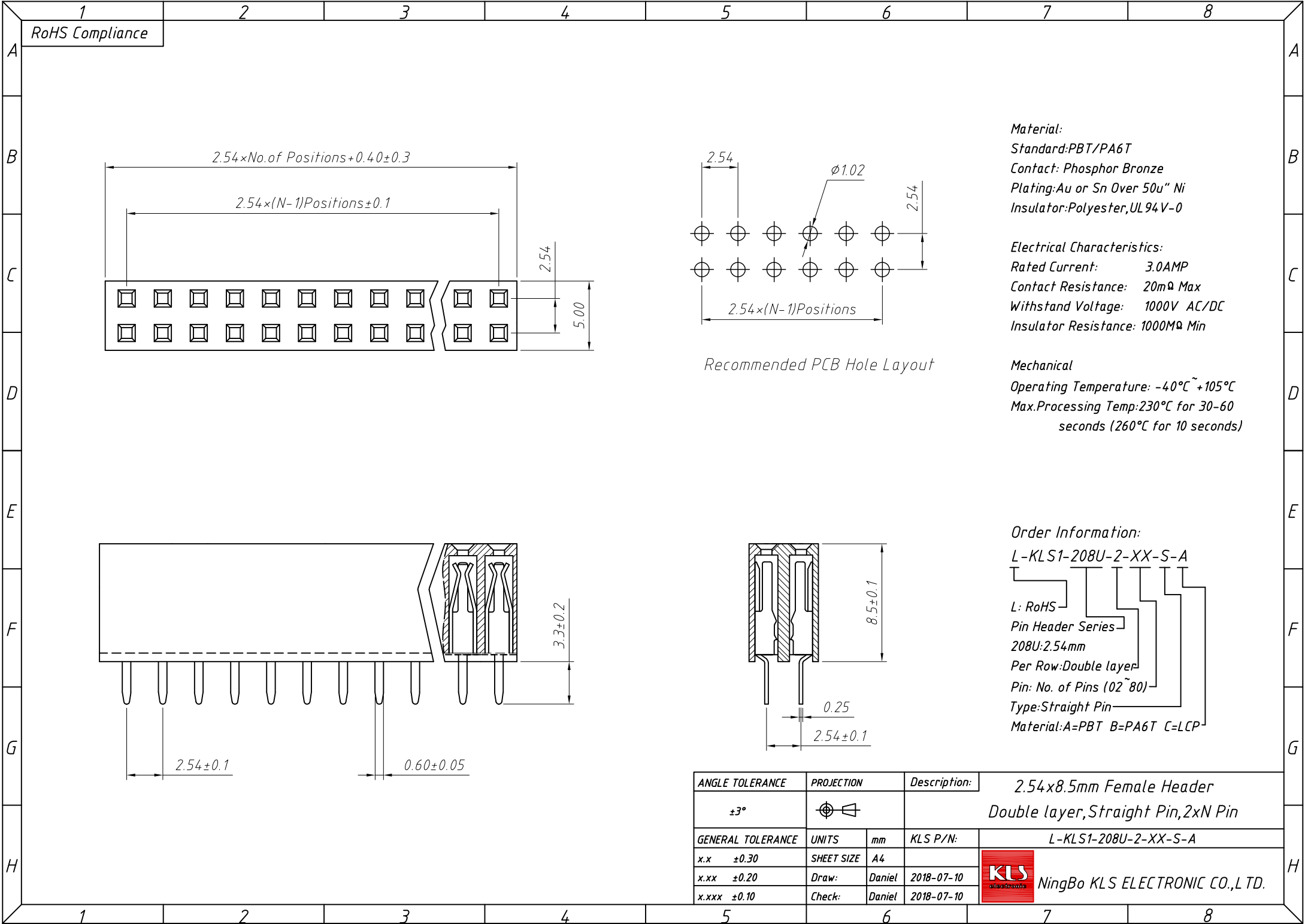
- L: RoHS
- Pin Header Series
- 208U: 2.54mm
- Per Row: Single layer
- Pin: No. of Pins (1x40)
- SMT Pin: T1 Type, T2 Type
- Size: L1xL2
- Post: W=With Post N=W/O Post
- Material: A=PBT B=PA6T C=LCP
- Packing:
 - A=Tray T=Tube M=Reel+Mylar
 - P=Tube+Cap R=Reel+Cap

ANGLE TOLERANCE	PROJECTION	Description:
±3°		2.54x8.5mm Female Header Single layer, SMT Pin, 1xN Pin
GENERAL TOLERANCE	UNITS	mm
x.x ±0.30	SHEET SIZE	A4
x.xx ±0.20	Draw:	Daniel 2018-07-10
x.xxx ±0.10	Check:	Daniel 2018-07-10



NingBo KLS ELECTRONIC CO.,L TD.

1
RoHS Compliance



Material:
 Standard: PBT/PA6T
 Contact: Phosphor Bronze
 Plating: Au or Sn Over 50u" Ni
 Insulator: Polyester, UL 94 V-0

Electrical Characteristics:
 Rated Current: 3.0AMP
 Contact Resistance: 20mΩ Max
 Withstand Voltage: 1000V AC/DC
 Insulator Resistance: 1000MΩ Min

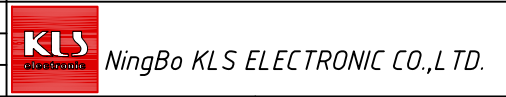
Mechanical
 Operating Temperature: -40°C ~ +105°C
 Max. Processing Temp: 230°C for 30-60 seconds (260°C for 10 seconds)

Recommended PCB Hole Layout

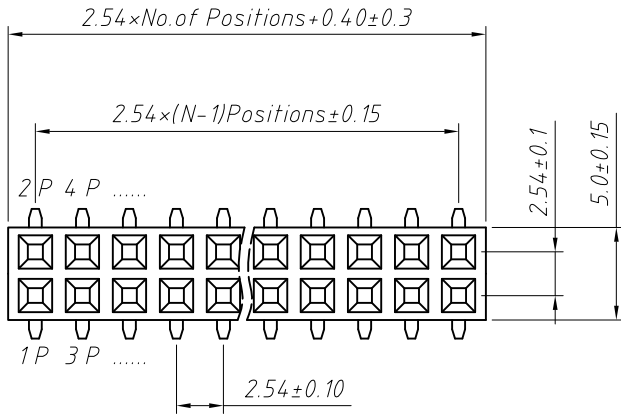
Order Information:
 L-KLS1-208U-2-XX-S-A

L: RoHS
 Pin Header Series
 208U: 2.54mm
 Per Row: Double layer
 Pin: No. of Pins (02 ~ 80)
 Type: Straight Pin
 Material: A=PBT B=PA6T C=LCP

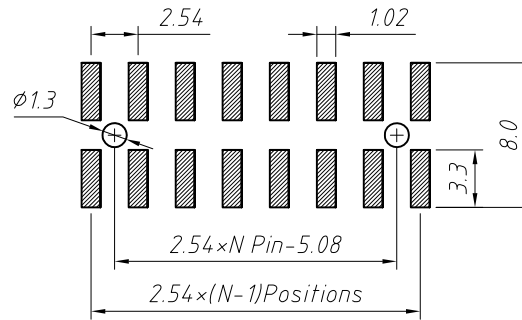
ANGLE TOLERANCE	PROJECTION	Description:	2.54x8.5mm Female Header Double layer, Straight Pin, 2xN Pin
±3°			
GENERAL TOLERANCE	UNITS	mm	KLS P/N: L-KLS1-208U-2-XX-S-A
x.x ±0.30	SHEET SIZE	A4	
x.xx ±0.20	Draw:	Daniel	2018-07-10
x.xxx ±0.10	Check:	Daniel	2018-07-10



RoHS Compliance



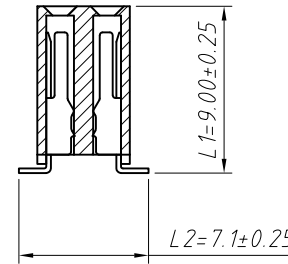
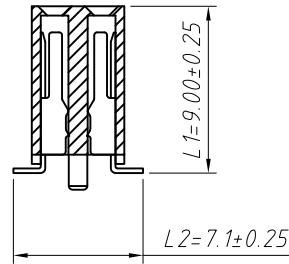
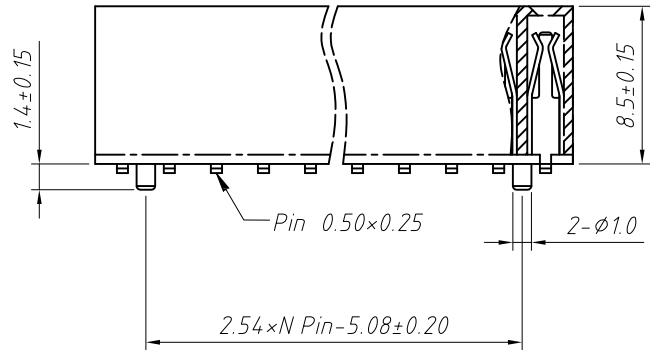
Recommended P.C.B Layout (Top Side)
(PCB BOARD TOLERANCE ± 0.05)



Material:
Standard: PA6T
Contact: Brass, Au or Sn Over Ni
Insulator: Polyester, UL94 V-0

Electrical Characteristics:
Rated Current: 3.0AMP
Contact Resistance: 20mΩ Max
Withstand Voltage: 1000V AC/DC
Insulator Resistance: 1000MΩ Min

Mechanical
Operating Temperature: -40°C ~ +105°C
Max. Processing Temp: 230°C for 30-60 seconds (260°C for 10 seconds)



W=With Post

N=W/O Post

Order Information:
L-KLS1-208U-2-XX-T-L1xL2-B-R

L: RoHS
Pin Header Series
208U: 2.54mm
Per Row: Double layer
Pin: No. of Pins (02~80)
SMT Pin:
T=Without Post, T3=With Post
Size: L1xL2
Material: A=PBT B=PA6T C=LCP
Packing:
A=Tray T=Tube M=Reel+Mylar
P=Tube+Cap R=Reel+Cap

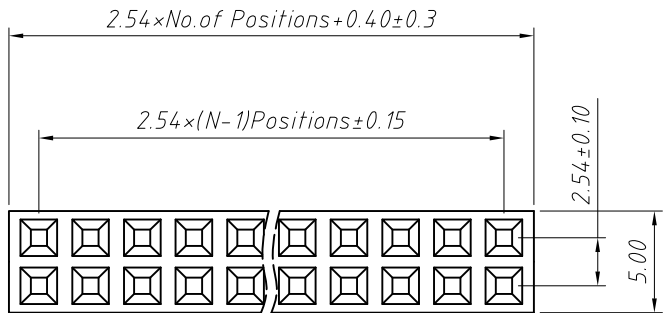
Dimension antitheses list (mm)			
ITEM	L1	L2	Plastic Height
Standard	9.00	7.10	8.50
Nonstandard	---	---	---

ANGLE TOLERANCE	PROJECTION	Description:
±3°		2.54x8.5mm Female Header Double layer, SMT Pin, 2xN Pin
GENERAL TOLERANCE	UNITS	mm
x.x ±0.30	SHEET SIZE	A4
x.xx ±0.20	Draw:	Daniel 2018-07-10
x.xxx ±0.10	Check:	Daniel 2018-07-10

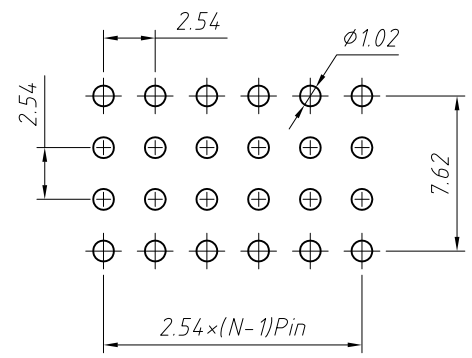


NingBo KLS ELECTRONIC CO.,L TD.

1
RoHS Compliance



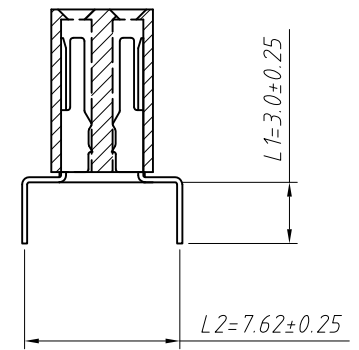
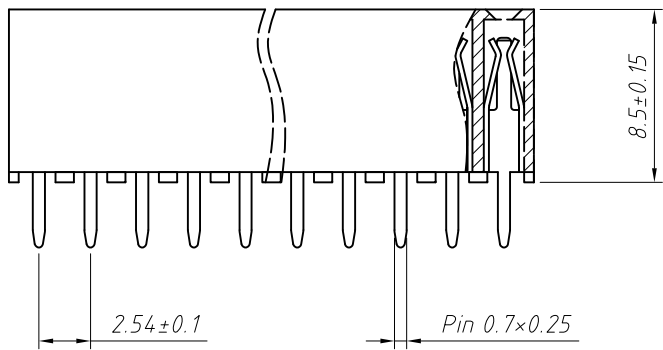
Recommended P.C.B Layout (Top Side)
(PCB BOARD TOLERANCE ± 0.05)



Material:
Standard: PA6T
Contact: Brass
Plating: Au or Sn Over 50u" Ni
Insulator: Polyester, UL 94V-0

Electrical Characteristics:
Rated Current: 3.0AMP
Contact Resistance: 20mΩ Max
Withstand Voltage: 1000V AC/DC
Insulator Resistance: 1000MΩ Min

Mechanical
Operating Temperature: -40°C ~ +105°C
Max. Processing Temp: 230°C for 30-60 seconds (260°C for 10 seconds)



Order Information:
L-KLS1-208U-2-XX-W-L1xL2-B-A
L: RoHS
Pin Header Series
208U: 2.54mm
Per Row: Double layer
Pin: No. of Pins (02 ~ 80)
Type: Bottom Entry
Size: L1xL2
Material: A=PBT B=PA6T C=LCP
Packing: A=Tray T=Tube

Dimension antitheses list (mm)			
ITEM	L1	L2	Plastic Height
Standard	3.00	7.62	8.50
Nonstandard	---	---	---

ANGLE TOLERANCE	PROJECTION	Description:	2.54x8.5mm Female Header Double layer, DIP 7.62mm, 2xN Pin
±3°			
GENERAL TOLERANCE	UNITS	mm	KLS P/N: L-KLS1-208U-2-XX-W-L1xL2-B-A
x.x ±0.30	SHEET SIZE	A4	
x.xx ±0.20	Draw:	Daniel	2018-07-10
x.xxx ±0.10	Check:	Daniel	2018-07-10

