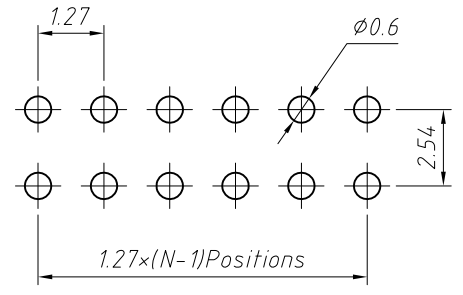
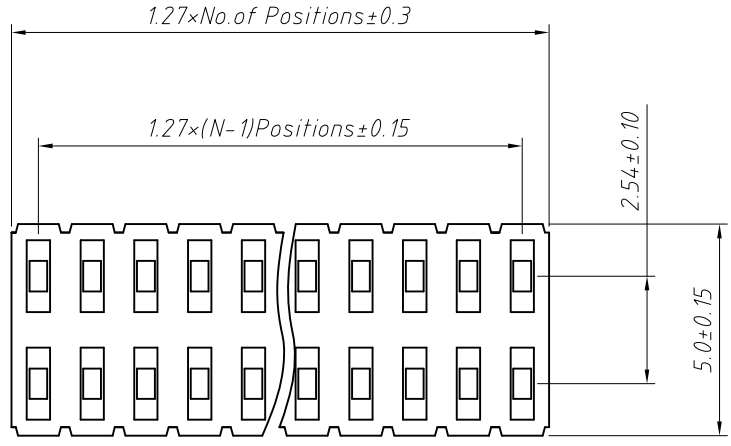


1
RoHS Compliance

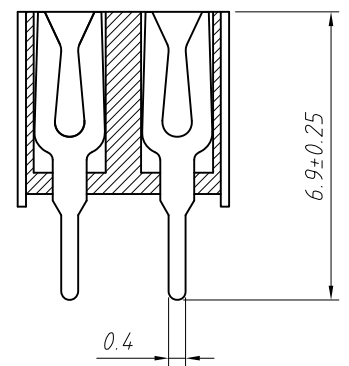
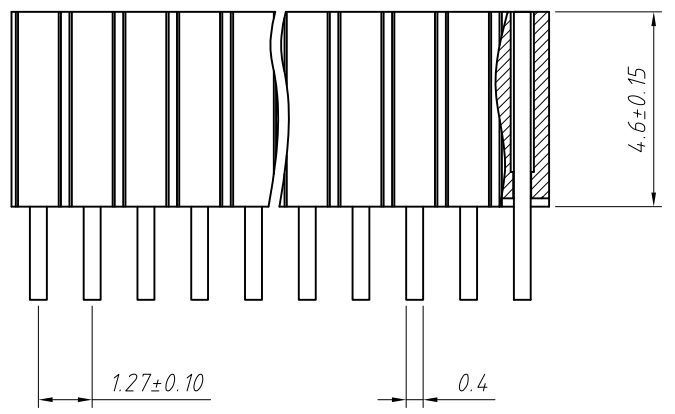


Recommended P.C.B Layout (Top Side)
(PCB BOARD TOLERANCE ± 0.05)

Material:
Standard: PA6T/LCP
Contact: Brass
Plating: Au or Sn Over 50nm Ni
Insulator: Polyester, UL94V-0

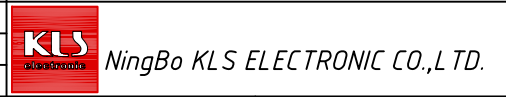
Electrical Characteristics:
Rated Current: 1.0AMP
Contact Resistance: 20mΩ Max
Withstand Voltage: 500V AC/DC
Insulator Resistance: 1000MΩ Min

Mechanical
Operating Temperature: -40°C ~ +105°C
Max. Processing Temp: 230°C for 30-60 seconds (260°C for 10 seconds)

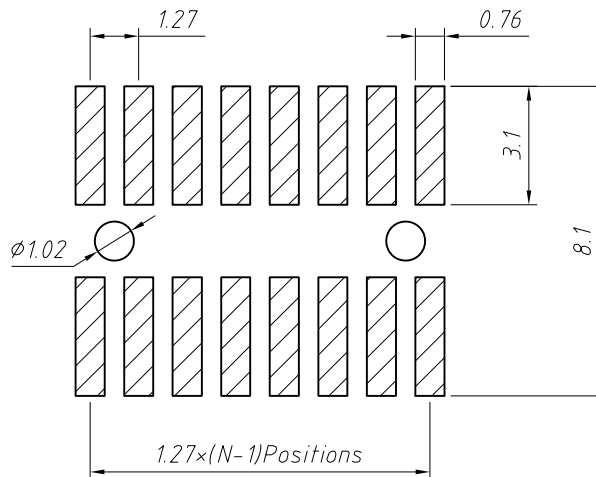
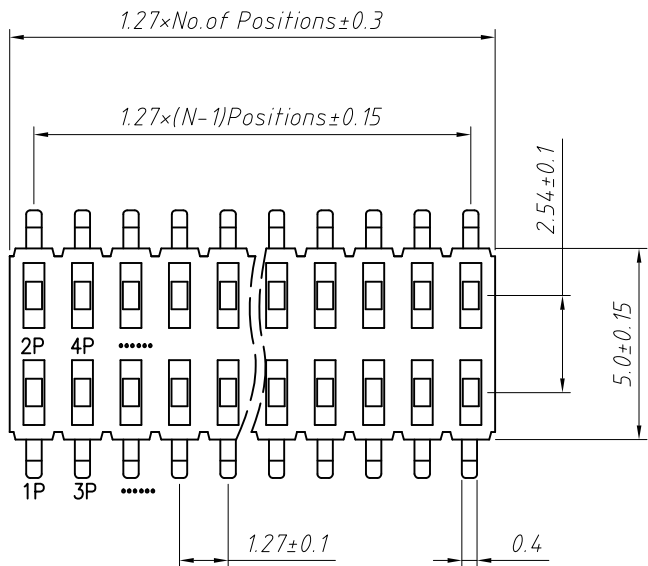


Order Information:
L-KLS1-208D-4.6-2-XX-S-B

ANGLE TOLERANCE	PROJECTION	Description:	1.27x2.54x4.6mm Female Header
±3°			Double layer, Straight Pin, 2xN Pin
GENERAL TOLERANCE	UNITS	mm	KLS P/N:
x.x ±0.30	SHEET SIZE	A4	L-KLS1-208D-4.6-2-XX-S-B
x.xx ±0.20	Draw:	Daniel	2018-07-10
x.xxx ±0.10	Check:	Daniel	2018-07-10



1 RoHS Compliance



Recommended P.C.B Layout (Top Side)
(PCB BOARD TOLERANCE±0.05)

Material:
Standard:PA6T/LCP
Contact:Phosphor Bronze
Contact plating:Au or Sn over Ni
Nickel Insulator:Polyester,UL 94 V-0

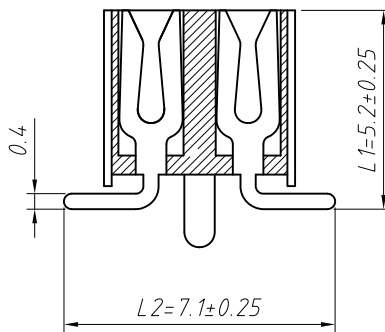
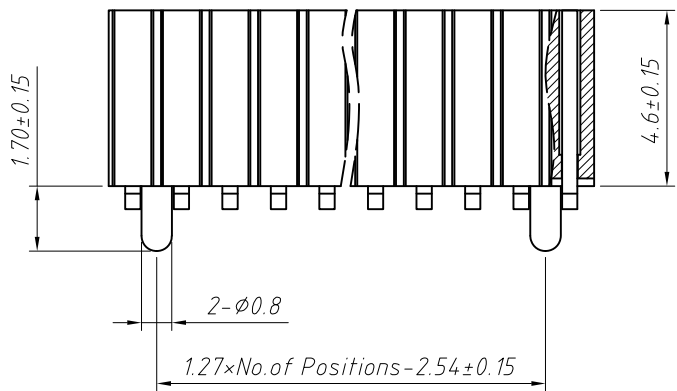
Electrical Characteristics:
Rated Current: 1.0AMP
Contact Resistance: 20mΩ Max
Withstand Voltage: 500V AC/DC
Insulator Resistance: 1000MΩ Min

Mechanical
Operating Temperature: -40°C ~ +105°C
Max.Processing Temp:230°C for 30-60 seconds (260°C for 10 seconds)

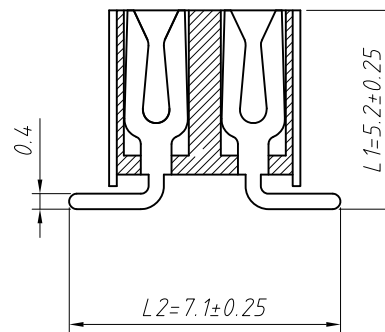
Order Information:

L-KLS1-208D-4.6-2-XX-T-L1xL2-B-R

L: RoHS
Pin Header Series-
208D:1.27mm
Plastics Height:4.6mm
Per Row:Double layer
Pin: No. of Pins (02~80)
SMT:T=Without Post,T3=With Post
Size:L1xL2
Material:B=PA6T C=LCP
Packing:
A=Tray T=Tube M=Reel+Mylar
P=Tube+Cap R=Reel+Cap



T3=With Post



T=Without Post

Dimension antitheses list (mm)			
ITEM	L1	L2	Plastic Height
Standard	5.20	7.10	4.60
Nonstandard	---	---	---

ANGLE TOLERANCE	PROJECTION	Description:
±3°		1.27x2.54xx4.6mm Female Header Double layer ,SMT Pin,2xN Pin
GENERAL TOLERANCE	UNITS	mm
x.x ±0.30	SHEET SIZE	A4
x.xx ±0.20	Draw:	Daniel 2018-07-10
x.xxx ±0.10	Check:	Daniel 2018-07-10



NingBo KLS ELECTRONIC CO.,L TD.