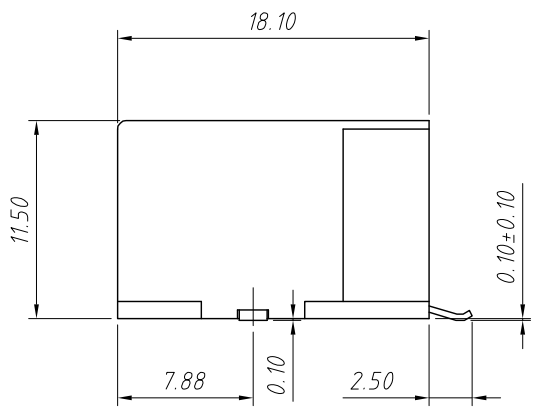
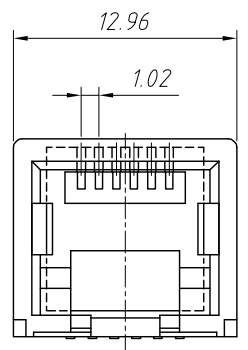


1  
RoHS Compliance



- Electrical:**
- 1.Voltage Rating:125VAC
  - 2.Current Rating:1.5A
  - 3.Contact Resistance:40mΩ Max.
  - 4.Insulation Resistance:1000MΩ Min.@500VDC
  - 5.Withstanding Resistance:1000VAC RMS.50Hz 1minute

- Materials:**
- 1.Housing:High Temp. Thermoplastic Flammability,UL 94 V-0
  - 2.Contact: Phosphor Bronze
  - 3.Plating:Gold Plating over nickel in contact, Tin Planting over nickel in solder area

- Mechanical:**
- 1.Durability:750 cycles Min.
  - 2.PCB Retention pre-solder:1 LB Min.

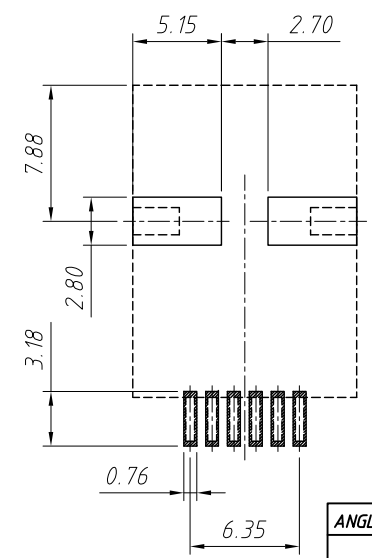
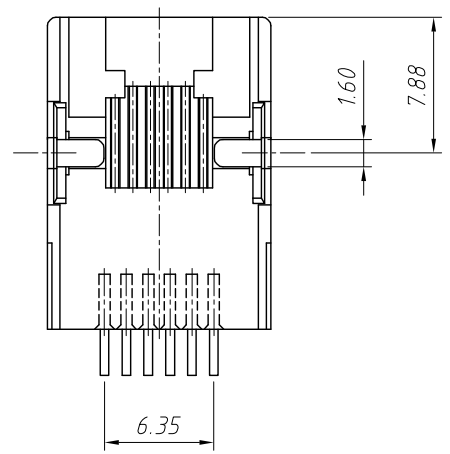
- Environmental:**
1. Storage:-40°C ~ +85°C
  2. Operation:-20°C ~ +75°C

**Order Information:**

L-KLS12-SMT35-6P6C-N-XX-P

- L: RoHS
- SMT series
- Point No:6P6C
- Shield:N-Without Shield
- Plating:
  - 01: Fu" Gold
  - 02: 3u" Gold
  - 03: 6u" Gold
  - 04: 15u" Gold
  - 05: 30u" Gold
- Packing:R-Reel P-Blister Tray

*P.C.B Layout (Top View)*



ANGLE TOLERANCE	PROJECTION	Description:	RJ12-6P6C SMD Jack Horizontal, Without Shielded
±3°			
GENERAL TOLERANCE	UNITS	mm	KLS P/N: L-KLS12-SMT35-6P6C-N-XX-P
x.x ±0.30	SHEET SIZE	A4	NingBo KLS ELECTRONIC CO.,L TD.
x.xx ±0.20	Draw:Jenny	Daniel	
x.xxx ±0.10	Check:Daniel	Daniel	
		2021-08-01	
		2021-08-01	