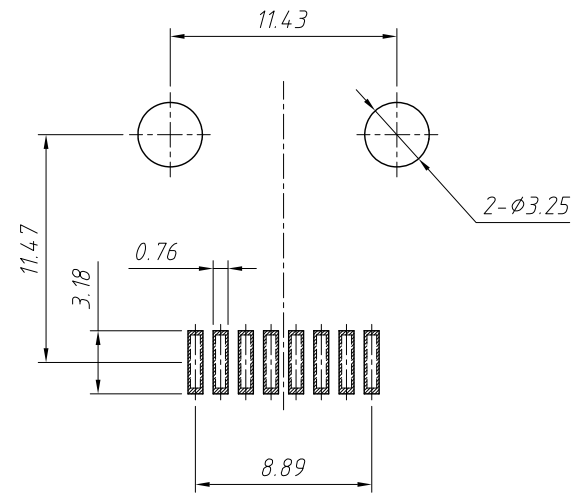
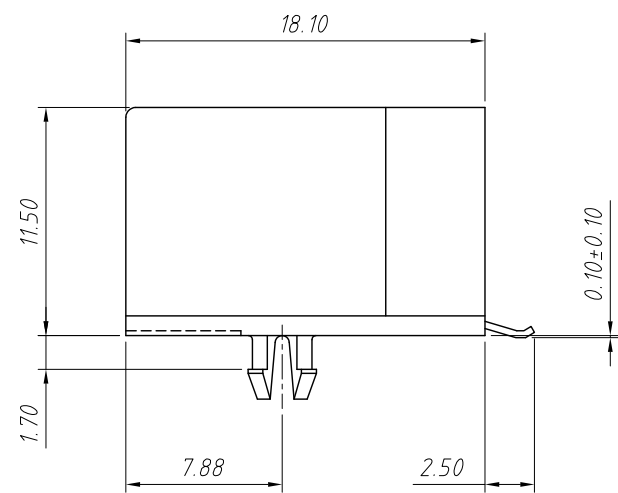
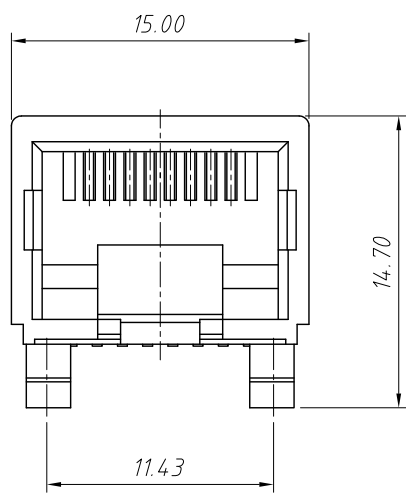
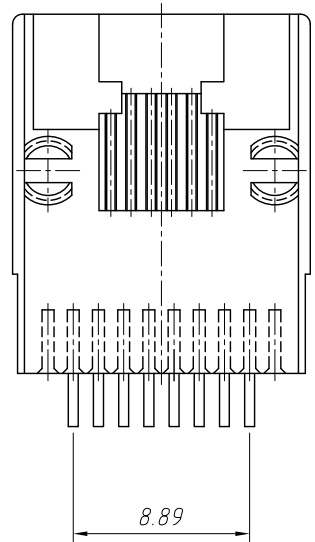


1
RoHS Compliance



PCB Layout Top View



- Electrical:**
- 1.Voltage Rating:125VAC
 - 2.Current Rating:1.5A
 - 3.Contact Resistance:40mΩ Max.
 - 4.Insulation Resistance:1000MΩ Min.@500VDC
 - 5.Withstanding Resistance:1000VAC RMS.60Hz 1minute

- Materials:**
- 1.Housing:High Temp.Thermoplastic Flammability,UL 94 V-0
 - 2.Contact:Phosphor Bronze
 - 3.Plating:Gold Plating over nickel in contact,
Tin Planting over nickel in solder area

- Mechanical:**
- 1.Durability:750 cycles Min.
- Environmental:**
- 1.Storage:-40°C ~ +85°C
 - 2.Operation:-20°C ~ +75°C

- Order Information:**
- L-KLS12-SMT21-8P8C-N-XX-R
- L: RoHS
 - SMT series
 - Point No:8P8C
 - Shield:N-Without Shield
 - Plating:
 - 01: 1u" Gold 02: 3u" Gold
 - 03: 6u" Gold 04: 15u" Gold
 - 05: 30u" Gold
 - Packing:R-Reel P-Blister Tray

ANGLE TOLERANCE	PROJECTION	Description:	RJ45-8P8C SMD Jack Vertical, With Shell
±3°			
GENERAL TOLERANCE	UNITS	mm	KLS P/N:
x.x ±0.30	SHEET SIZE	A4	L-KLS12-SMT21-8P8C-N-XX-R
x.xx ±0.20	Draw:Jenny	Daniel	2021-08-01
x.xxx ±0.10	Check:Daniel	Daniel	2021-08-01

