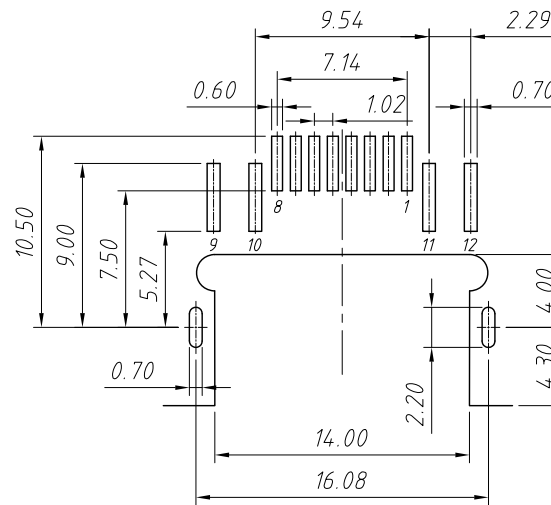
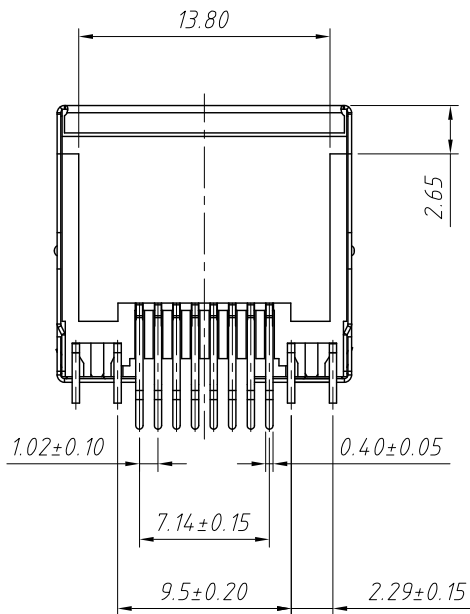
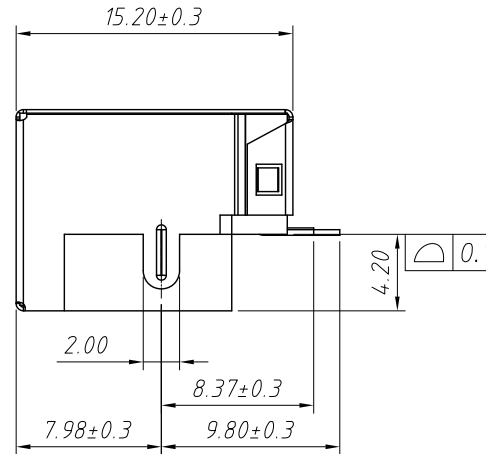
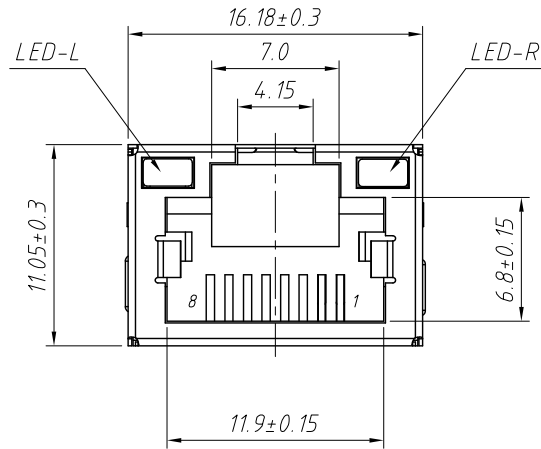
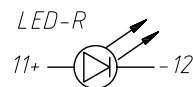
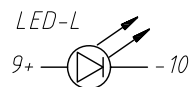


1 RoHS Compliance



Recommended PCB Layout
Tolerance ±0.05



Electrical:

- 1.Voltage Rating:150VAC
- 2.Current Rating:1.5A
- 3.Contact Resistance:40mΩ Max.
- 4.Insulation Resistance:500MΩ Min.@500VDC
- 5.Withstanding Resistance:1000VAC RMS.50Hz 1minute

Materials:

- 1.Housing:LCP,UL 94V-0,Black
- 2.Terminal:Phosphor Bronze,T=0.3mm
- 3.Shielding:Brass,T=0.2mm,Ni Plating
- 4.LED-L:Yellow,Tin Plating
- 5.LED-R:Green,Tin Plating

Mechanical:

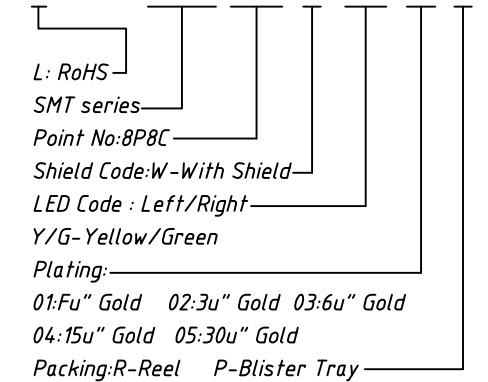
- 1.Durability:750 cycles Min.
- 2.PCB Retention pre-solder:1LB Min.

Environmental:

- 1.Storage:-40°C ~ +85°C
- 2.Operation:-40°C ~ +80°C

Order Information:

L-KLS12-SMT18-8P8C-W-Y/G-XX-P



ANGLE TOLERANCE	PROJECTION	Description:	RJ45-8P8C SMD Jack Horizontal, Mid Mount H4.2mm with LED
±3°			
GENERAL TOLERANCE	UNITS	mm	KLS P/N: L-KLS12-SMT18-8P8C-W-Y/G-XX-P
x.x ±0.30	SHEET SIZE	A4	
x.xx ±0.20	Draw:Jenny	Daniel	2021-08-01
x.xxx ±0.10	Check:Daniel	Daniel	2021-08-01



NingBo KLS ELECTRONIC CO.,L TD.