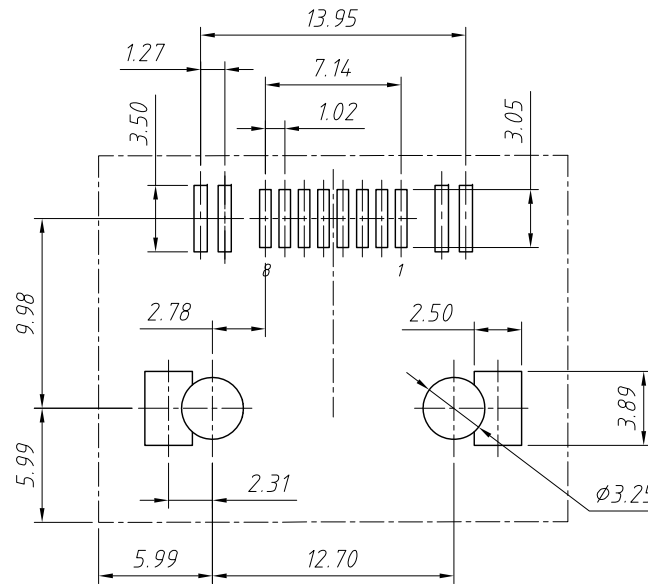
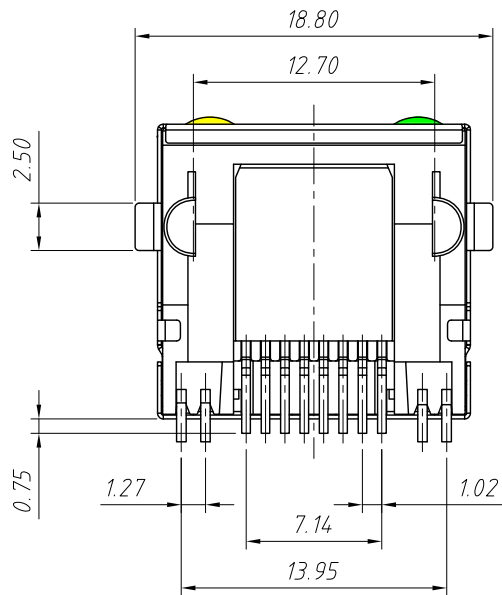
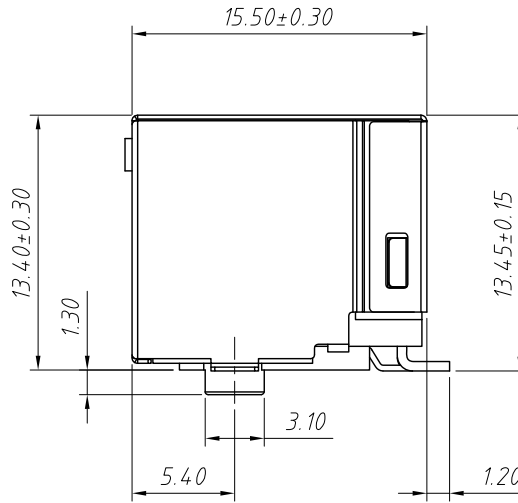
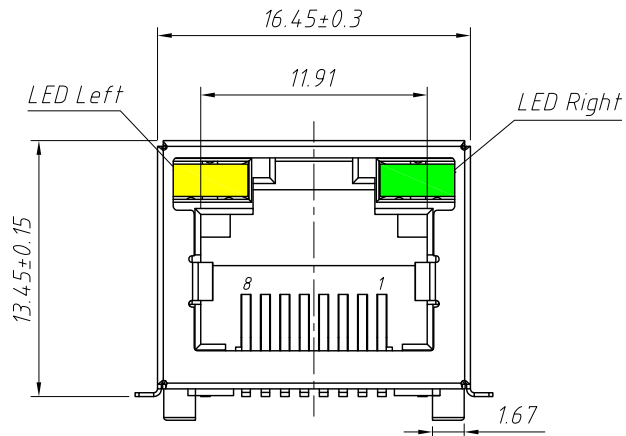


1 RoHS Compliance

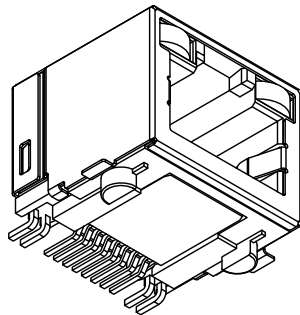


- Electrical:**
- 1.Voltage Rating:125VAC
 - 2.Current Rating:1.5A
 - 3.Contact Resistance:30m Ω Max.
 - 4.Insulation Resistance:500M Ω Min.@500VDC
 - 5.Withstanding Resistance:1000VAC RMS.50Hz 1minute
- Materials:**
- 1.Housing:High Temp.Thermoplastic Flammability,UL 94 V-0
 - 2.Contact: Phosphor Bronze
 - 3.Plating:Gold Plating over nickel in contact, Tin Planting over nickel in solder area
 - 4.Shield:0.23 Thickness Brass With Nickel Plated
- Mechanical:**
- 1.Durability:750 cycles Min.
 - 2.PCB Retention pre-solder:1LB Min.
- Environmental:**
- 1.Storage:-40 $^{\circ}$ C ~ +85 $^{\circ}$ C
 - 2.Operation:-40 $^{\circ}$ C ~ +75 $^{\circ}$ C

Order Information:

L-KLS12-SMT11-8P8C-W-Y/G-XX-R

- L: RoHS
- SMT series
- Point No:8P8C
- Shield Code:W-With Shield
- LED Code : Left/Right
- Y/G-Yellow/Green
- Plating:
- 01:Fu" Gold 02:3u" Gold 03:6u" Gold
- 04:15u" Gold 05:30u" Gold
- Packing:R-Reel P-Blister Tray



Recommended PCB Layout Tolerance ± 0.05

ANGLE TOLERANCE	PROJECTION	Description:
$\pm 3^{\circ}$		RJ45-8P8C SMD Jack Horizontal, With Shielded & LED
GENERAL TOLERANCE	UNITS	mm
x.x ± 0.30	SHEET SIZE	A4
x.xx ± 0.20	Draw:Jenny	Daniel
x.xxx ± 0.10	Check:Daniel	Daniel
		2021-08-01
		2021-08-01

KLS NingBo KLS ELECTRONIC CO.,L TD.