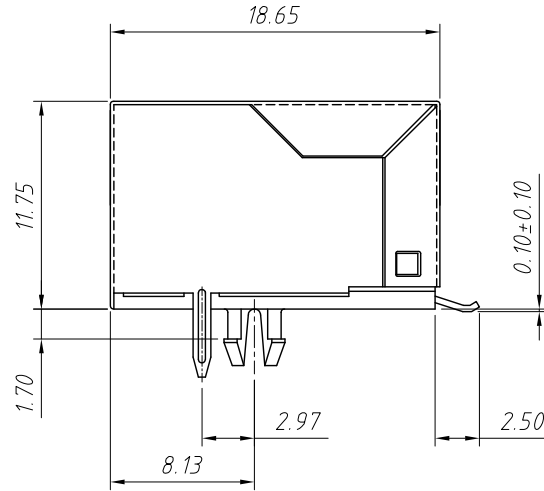
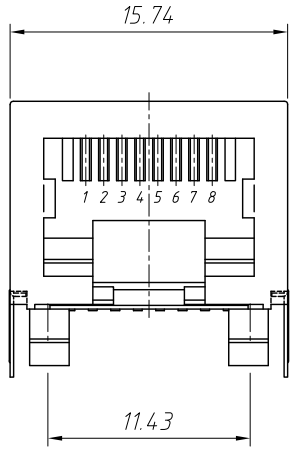


1 RoHS Compliance



**Electrical:**

- 1.Voltage Rating:125VAC
- 2.Current Rating:1.5A
- 3.Contact Resistance:30mΩ Max.
- 4.Insulation Resistance:500MΩ Min.@500VDC
- 5.Withstanding Resistance:1000VAC RMS.50Hz 1minute

**Materials:**

- 1.Housing:Glass Filled Polyester,UL 94V-0
- 2.Contact:Phosphor Bronze T=0.35mm
- 3.Plating:Gold Plating over Nickel  
FU",3U",6U",15U",30U",50U"

**Mechanical:**

- 1.Durability:750 cycles Min.
- 2.PCB Retention pre-solder:1 LB Min.

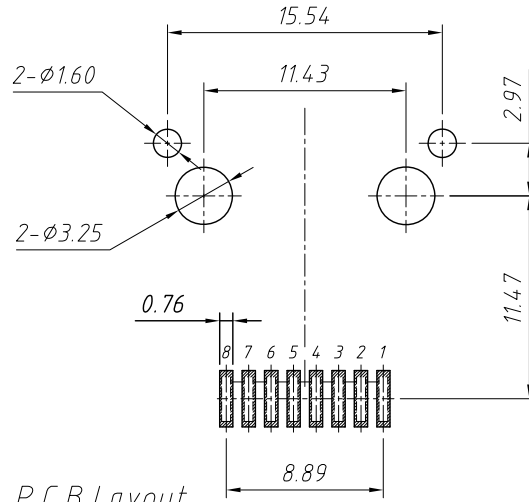
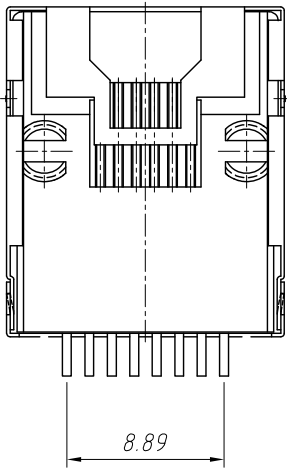
**Environmental:**

- 1.Storage:-40°C ~ +85°C
- 2.Operation:-40°C ~ +85°C

**Order Information:**

L-KLS12-SMT09-8P8C-W-XX-R

- L: RoHS
- SMT series
- Point No:8P8C
- Shield Code:W-With Shield
- Plating:
- 01: Fu" Gold    02: 3u" Gold
- 03: 6u" Gold    04: 15u" Gold
- 05: 30u" Gold
- Packing:R-Reel    P-Blister Tray



P.C.B Layout  
(Top View)

ANGLE TOLERANCE	PROJECTION	Description:	RJ45-8P8C SMD Jack Horizontal, With Shielded & Post
±3°			
GENERAL TOLERANCE	UNITS	mm	KLS P/N: L-KLS12-SMT09-8P8C-W-XX-R
x.x ±0.30	SHEET SIZE	A4	NingBo KLS ELECTRONIC CO.,L TD.
x.xx ±0.20	Draw:Jenny	Daniel	
x.xxx ±0.10	Check:Daniel	Daniel	
		2021-08-01	
		2021-08-01	