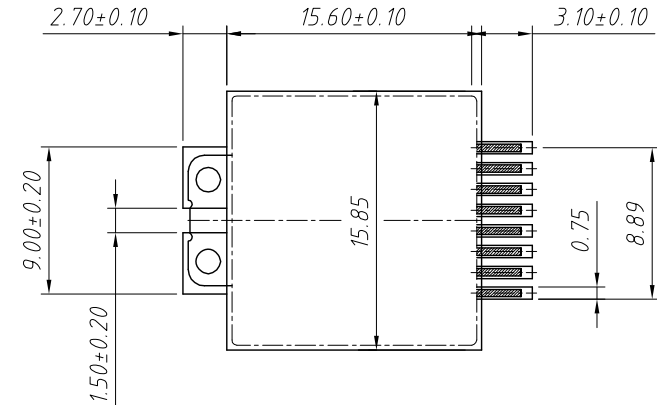
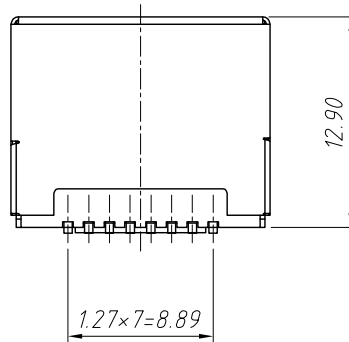
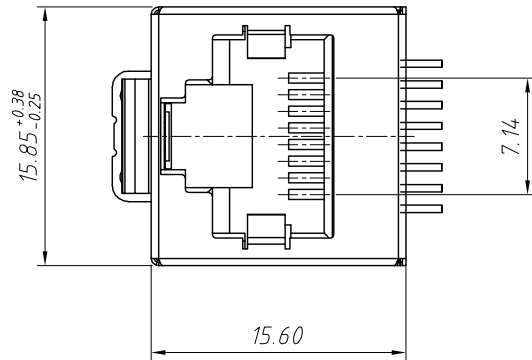
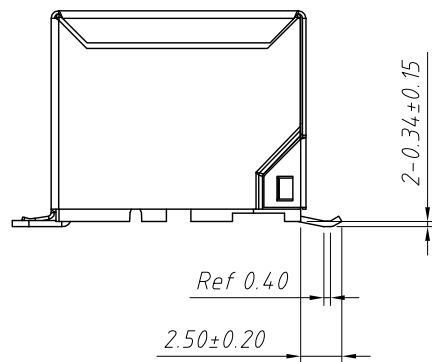


1 RoHS Compliance



PCB Layout/Top View



Electrical:

- 1.Voltage Rating:125VAC
- 2.Current Rating:1.5A
- 3.Contact Resistance:40mΩ Max.
- 4.Insulation Resistance:1000MΩ Min.@500VDC
- 5.Withstanding Resistance:1000VAC RMS. 50Hz 1minute

Materials:

- 1.Housing:High Temp.Thermoplastic Flammability UL94V-0
- 2.Contact: Phosphor Bronze
- 3.Plating:Gold Plating over nickel in contact,
Tin Plating over nickel in solder area
- 4.Shield:0.23 Thickness Brass With Nickel Plated

Mechanical:

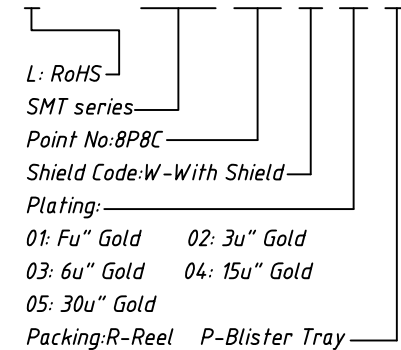
- 1.Durability:750 cycles Min.
- 2.PCB Retention pre-solder:1LB Min.

Environmental:

- 1.Storage: -40°C ~ +85°C
- 2.Operation: -20°C ~ +75°C

Order Information:

L-KLS12-SMT05-8P8C-W-XX-P



ANGLE TOLERANCE	PROJECTION	Description:	RJ45-8P8C SMD Jack Vertical, With Shell
±3°			
GENERAL TOLERANCE	UNITS	mm	KLS P/N: L-KLS12-SMT05-8P8C-W-XX-P
x.x ±0.30	SHEET SIZE	A4	
x.xx ±0.20	Draw:Jenny	Daniel	2021-08-01
x.xxx ±0.10	Check:Daniel	Daniel	2021-08-01



NingBo KLS ELECTRONIC CO.,L TD.