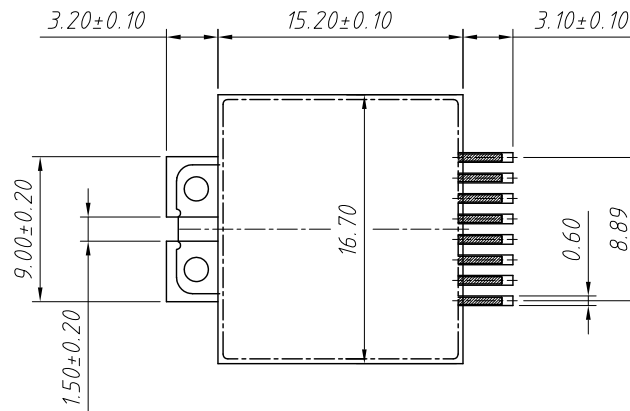
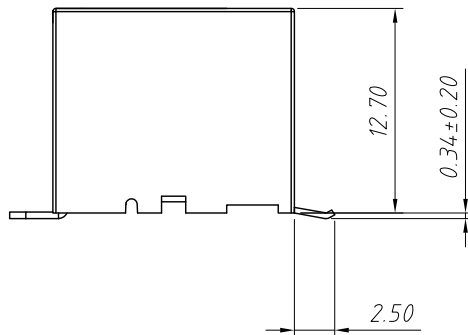
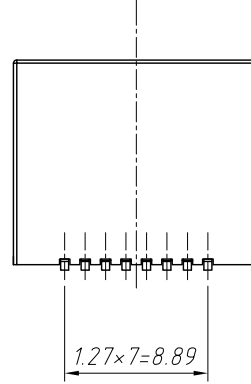
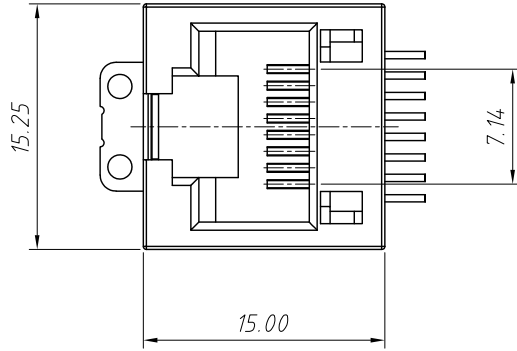


1 RoHS Compliance



PCB Layout/Top View

Electrical:

- 1.Voltage Rating:125VAC
- 2.Current Rating:1.5A
- 3.Contact Resistance:40mΩ Max.
- 4.Insulation Resistance:1000MΩ Min.@500VDC
- 5.Withstanding Resistance:1000VAC RMS.60Hz 1minute

Materials:

- 1.Housing:High Temp Thermoplastic Flammability, UL94V-0
- 2.Contact:Phosphor Bronze
- 3.Plating:Gold Plating Over Nickel In Contact
Tin Planting Over Nickel In Solder Area

Mechanical:

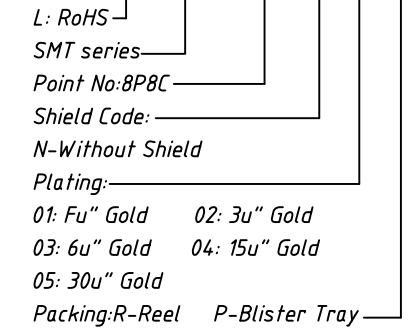
- 1.Durability:750 cycles Min.

Environmental:

- 1.Storage: -40°C ~ +85°C
- 2.Operation:-20°C ~ +75°C

Order Information:

L-KLS12-SMT04-8P8C-N-XX-P



ANGLE TOLERANCE	PROJECTION	Description:	RJ45-8P8C SMD Jack Vertical, Without Shell
±3°			
GENERAL TOLERANCE	UNITS	mm	KLS P/N: L-KLS12-SMT04-8P8C-N-XX-P
x.x ±0.30	SHEET SIZE	A4	NingBo KLS ELECTRONIC CO.,L TD.
x.xx ±0.20	Draw:Jenny	Daniel	
x.xxx ±0.10	Check:Daniel	Daniel	