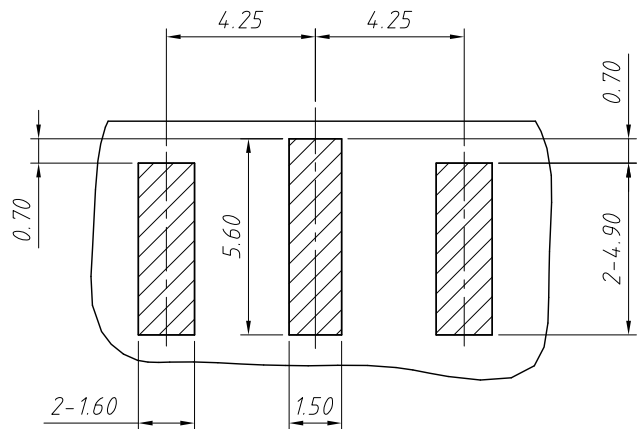
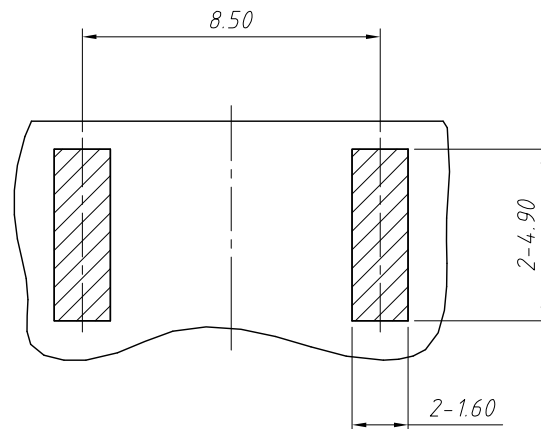


1 RoHS Compliance

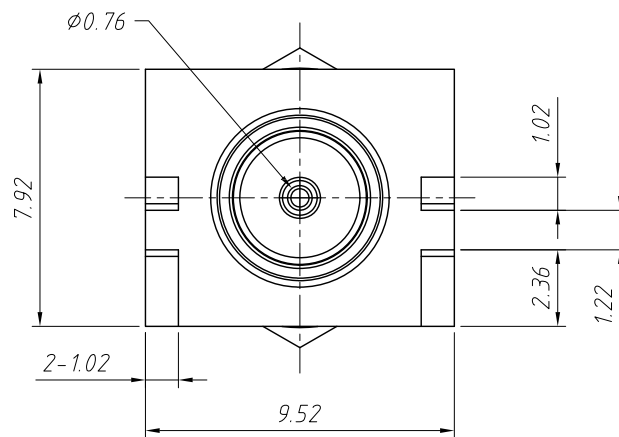
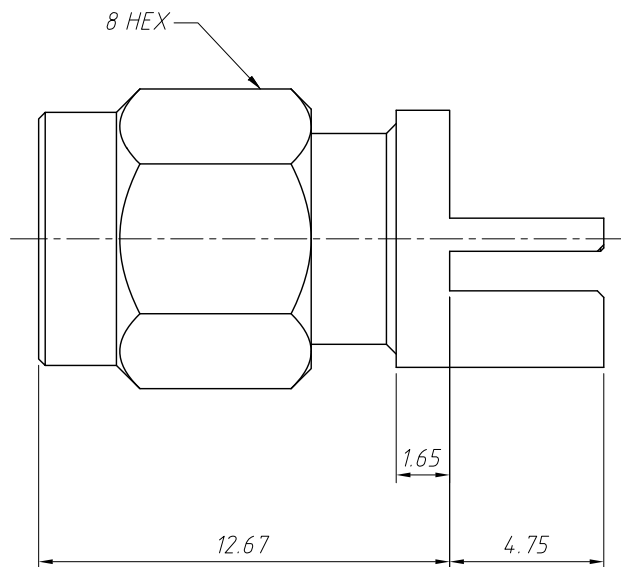


TOP VIEW

RECOMMENDED PCB LAYOUT



BOTTOM VIEW



**Material:**  
 Shell:Brass,Gold Plating  
 Contact Pin:Brass,Gold Plating  
 Gasket:Silicone Rubber,Red  
 Retainer Ping:SUS 304,Natural  
 Insulator:PTFE,Natural  
 Body:Brass,Gold Plating  
 Ring:Brass,Gold Plating

**Electrical:**  
 Impedance:50Ω  
 Durability:500Cycles Min  
 Temperature Range:- 65°C to +165°C

ANGLE TOLERANCE	PROJECTION	Description:	SMA PCB End Launch Str Pl 50Ω	
±3°			(Plug, Male) L 17.4mm	
GENERAL TOLERANCE	UNITS	mm	KLS P/N: L-KLS1-SMA021-1.1	
x.x ±0.30	SHEET SIZE	A4		
x.xx ±0.20	Draw:	Daniel		2020-11-11
x.xxx ±0.10	Check:	Daniel		2020-11-11

**NingBo KLS ELECTRONIC CO.,L TD.**